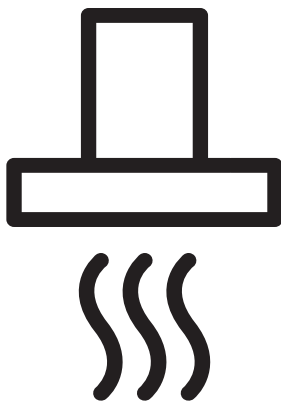




Cooker Hood

User Manual



BHCB 61632 XH

EN - ES - KA - NL - PT - RO - SQ - CS - RU - SK

CONTENTS

ENGLISH	3-17
ESPAÑOL	18-34
KARTULI	35-53
NEDERLANDS	54-68
PORTUGUÊS	69-85
ROMÂNĂ	86-102
SHQIPTARE	103-117
ČESKY	118-132
РУССКИЙ	133-154
SLOVENSKÝ	155-169

Please read this user manual first!

Dear Valued Customer,

Thank you for preferring this Beko appliance. We hope that you get the best results from your appliance which has been manufactured with high quality and state-of-the-art technology. For this reason, please read this entire user manual and all other accompanying documents carefully before using the appliance and keep it as a reference for future use. If you handover the appliance to someone else, give the user manual as well. Follow the instructions by paying attention to all the information and warnings in the user manual.

Remember that this user manual may also apply to other models. Differences between models are explicitly described in the manual.

Meanings of the Symbols

Following symbols are used in various sections of this user manual:



Important information and useful hints about usage.



WARNING: Warnings against dangerous situations concerning the security of life and property.



WARNING: Warning for danger of fire.



WARNING: Warning for electric shock.



This appliance has been produced in environmentally friendly facilities without harming the nature.

1 Important safety and environmental instructions

1.1 General Safety

Important Safety Instructions Read Carefully And Keep For Future Reference This section contains safety instructions that will help protect from risk of fire, electric shock, exposure to leak microwave energy, personal injury or property damage. Failure to follow these instructions shall void any warranty.

- Beko products comply with the applicable safety standards; therefore, in case of any damage on the appliance or power cable, it should be repaired or replaced by the dealer, service center or a specialist and authorized service alike to avoid any danger. Faulty or unqualified repair work may be dangerous and cause risk to the user.
- This appliance is intended to be used in household and similar applications such as:
 - Staff kitchen areas in shops, offices and other working environments;
 - Farm houses
 - By clients in hotels, and other residential type environments;
 - Bed and Breakfast type environments.
- Operate the appliance for its intended purpose only as described in this manual.
- The manufacturer cannot be held liable for damages resulting from improper installation or misuse of the product.
- This appliance can be used by children aged from 8 years and above and persons with reduced physical, sensory or mental capabilities or lack of experience and knowledge if they have been given supervision or instruction concerning use of the appliance in a safe way and understand the hazards involved.
- Children shall not be allowed play with the appliance. Cleaning and user maintenance shall not be made by children without supervision.

1 Important safety and environmental instructions

- The minimum distance between the supporting surface for the cooking vessels on the hob and the lowest part of your product must be at least 65 cm.
- If the instructions for installation for the gas hob specify a greater distance, this has to be taken into account.
- Make sure that your mains power supply complies with the information supplied on the rating plate of the appliance.
- Never use the appliance if the power cable or the appliance itself is damaged.
- Prevent damage to the power cable by not squeezing, bending, or rubbing it on sharp edges. Keep the power cable away from hot surfaces and naked flame.
- Use the appliance with a grounded outlet only.
- Do not touch the lamps if they have operated for a long time. They can burn your hands since they will be hot.
- Follow the regulations set out by competent authorities on discharge of the exhaust air (this warning is not applicable for use without flue).
- Operate your appliance after putting a pot, pan etc. on the hob. Otherwise, high heat may cause deformation in some parts of your product.
- Turn off the hob before taking the pot, pan etc. from it.
- Do not leave hot oil on the hob. Pans with hot oil may cause self combustion.
- Pay attention to your curtains and covers since oil may catch fire while cooking food such as fries.
- Grease filter must be cleaned at least monthly. Carbon filter must be replaced at least every 3 months.

WARNING: Do not connect the appliance to the mains until the installation is fully complete.

- Place the appliance in a way so that the plug is always accessible.

1 Important safety and environmental instructions

- Product shall be cleaned accordance with user manual. If cleaning was not carried out in accordance with user manual, there may be fire risk.
 - Do not use non-fire-resistant filtering materials instead of the current filter.
 - Only use the original parts or parts recommended by the manufacturer.
 - Do not operate the product without the filter and do not remove the filters while the product is running.
 - In the event of be started any flame, de-energize your product and cooking appliances.
 - In the event of be started any flame, cover the flame and never use water to extinguish.
 - Unplug the appliance before each cleaning and when the appliance is not in use.
 - The negative pressure in the environment should not exceed 4 Pa (4x10 bar) while the hood for electric hob and appliances running on another type of energy but electricity operate simultaneously.
 - In the environment where the appliance is being used, the exhaust of devices running on fuel oil or gas, such as room heater must be absolutely isolated or device must be hermetical type.
 - When connecting the flue, use pipes with a diameter of 120 or 150 mm. Pipe connection must be as short as possible and have as few elbows as possible.
 - Danger of choking! Keep all the packaging materials away from children.
- CAUTION:** Accessible parts may become hot when used with cooking appliances.
- The product outlet must not be connected to air channels that include other smoke.

1 Important safety and environmental instructions

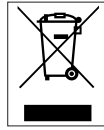
- The ventilation in the room may be insufficient when the hood for electric hob is used simultaneously with the devices operating on gas or other fuels (this may not apply to appliances that only discharge the air back into the room).
- Objects placed on the product may fall. Do not place any objects on the product.
- Do not flambe under the your product.

WARNING: Before installing the Hood, remove the protective films.

- Never leave high naked flames under the hood when it is in operation
- Deep fat fryers must be continuously monitored during use: overheated oil can burst into flames.

1.2 Compliance with the WEEE Directive and Disposing of the Waste Product:

This product complies with EU WEEE Directive (2012/19/EU). This product bears a classification symbol for waste electrical and electronic equipment (WEEE).



This symbol indicates that this product shall not be disposed with other household wastes at the end of its service life. Used device must be returned to official collection point for recycling of electrical and electronic devices. To find these collection systems please contact to your local authorities or retailer where the product was purchased. Each household performs important role in recovering and recycling of old appliance. Appropriate disposal of used appliance helps prevent potential negative consequences for the environment and human health.

1.3 Compliance with RoHS Directive

The product you have purchased complies with EU RoHS Directive (2011/65/EU). It does not contain harmful and prohibited materials specified in the Directive.

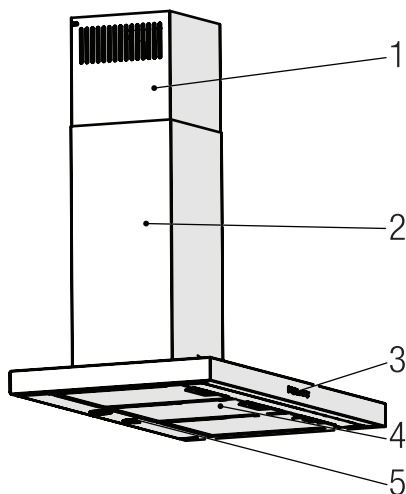
1.4 Package Information



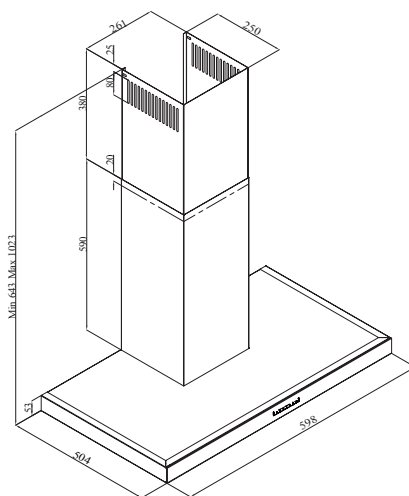
Packaging materials of the product are manufactured from recyclable materials in accordance with our National Environment Regulations. Do not dispose of the packaging materials together with the domestic or other wastes. Take them to the packaging material collection points designated by the local authorities.

2 General appearance

2.1 Overview



1. Inner chimney
2. Outer chimney
3. Control panel
4. Grease filter
5. Lighting







2.2 Technical data

Model	BHCB 61632 XH
Supply voltage & frequency	220-240V ~ 50 Hz
Lamp power	2 x 3 W
Motor power	210 W
Flow rate – 3. Level	612 m ³ /h
Insulation class of motor	Class F
Insulation class	Class I

3 Operation of the appliance

3.1 Controlling the appliance

 1 A	 2 B	 3 C	 D
KEY	FUNCTION		
A : 1. Stage Button	Operates the appliance on 1st speed. When you press this button again to turn off the appliance, the screen speed stage turns off.		
B : 2. Stage Button	Operates the appliance on 2nd speed. When you press this button again to turn off the appliance, the screen speed stage turns off.		
C : 3. Stage Button	Operates the appliance on 3rd speed. When you press this button again to turn off the appliance, the screen speed stage turns off.		
D : Light On / Off	You may illuminate the cooking area by pressing this button. Re-press the button to turn off the lamp.		

3.2 Energy efficient usage

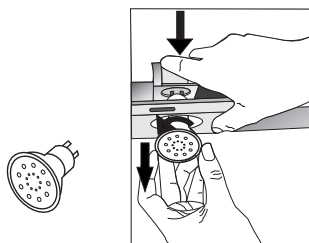
- When using your appliance, adjust the speed settings according to vapour and odour intensity, in order to save energy.
- Use low speeds (1-2) under normal conditions, and high speed (3) for intense odour and vapour.
- The lamps on the hood are placed for illuminating the cooking area.
- Using them for environmental lighting shall cause unnecessary energy expenditure and insufficient lighting.

3.3 Operating the hood

- Your appliance contains a motor that has various speeds.
- For better performance, we recommend using low speeds under normal conditions and high speeds in cases of strong odours and intense vapour.
- You can start your appliance by pressing on the desired speed setting button. (A, B, C)
- You may illuminate the cooking area by pressing the lamp (D).


3 Operation of the appliance

3.4 Replacement of lamp



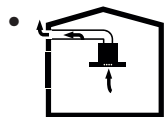
MAX 3 W

Make the electrical connections of the appliance. Your appliance uses 3W spot LED lamp. For replacing the lamps, push downwards on the holder from its behind, turn it counter-clockwise, and take it out downwards. Apply the above operation in reverse to install new lamps.

Bulb	
Bulb power	3 W
Holder/Socket	GZ 10
Bulb voltage	220 - 240 V
Size	53 x 50 mm
ILCOS Code	DR/F3-220-240-GZ10-50-53
Luminous flux	250 lm
Correlated colour temperature	3000 K

This product contains a light source of energy efficiency class "F".

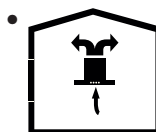
3.5 Operation with flue connection



Vapour is extracted through the flue duct, which is fastened to the connection head on the hood.

- The diameter of the flue duct must be the same as the connection ring. In horizontal settings, the pipe has to have a slight upward slope (around 10°) so that the air can exit the room easily.

3.6 Operation without flue connection



Air is filtered through the carbon filter and recirculated in the room. Carbon filter is used when it is impossible to use a flue in the house.

- In flueless use, remove the flaps inside the flue adapter.
- Remove the grease filter. To install the carbon filter, fit the filter to the tabs by centring it on the plastic piece on both sides of the fan body. Tighten it by turning right or left.
- Replace grease filter.

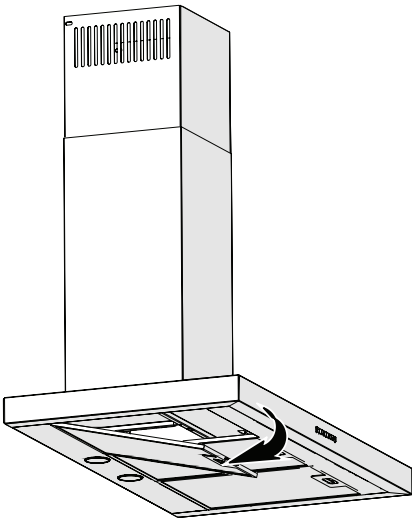
4 Cleaning and maintenance



Before cleaning and maintenance, unplug the product or turn off the switch.

4.1 Cleaning of the grease filter

Grease filter retains the oil particles in the air. Grease filters may change colour after repeated cleaning. This is normal and does not require replacement of filters.



- Push the grease filter lock forward.
- Then pull it slightly down and pull it out. Otherwise, you can bend the filter. Wash and rinse grease filters with liquid detergent and replace grease filters to their sockets by carrying out the steps specified above in reverse order. This filter retains the oil particles in the air.

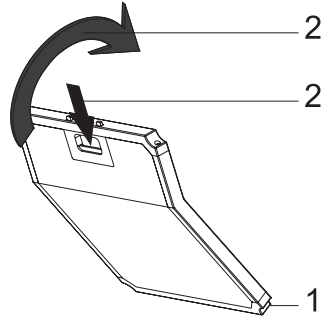


You may wash your grease filters in the dishwasher.



CAUTION: In case of normal use, clean your filter once in a month.

4.2 Replacement of carbon filters



- The appliance you have purchased is appropriate for use with carbon filters.
- Remove the grease filter.
- Place the lower part of the carbon filter to the motor cabinet.
- Press on the tab of the carbon filter and push it forward, and ensure that the tabs of carbon filter are engaged and locked.
- Attach the grease filter.

CAUTION



- Carbon filter shall never be washed.
- Replace carbon filters once every 3 months.
- You can obtain the carbon filter from the authorized services.

5 Installation of appliance



WARNING: Before starting the installation, read the safety information on User Manual.

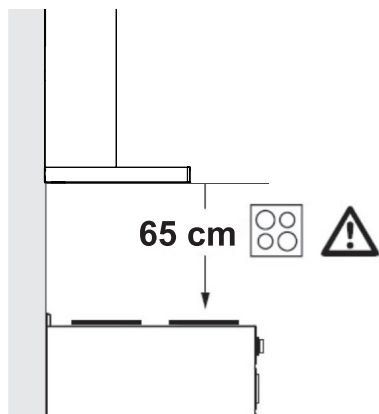


WARNING: Failure to install with screws and stabilizers in accordance with these instructions may result in electric shock.

For the installation of the hood, please contact the nearest Authorized Service.

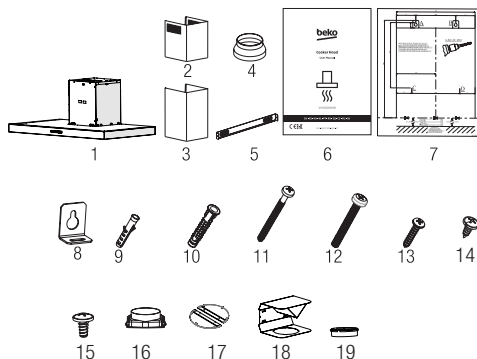
It is the customer's responsibility to prepare the location and electrical installation of the hood.

5.1 Position of the appliance



- Distance between the cooker and the cooker hood must be considered prior to assembly. This distance should be 65 cm.
- Distance must be measured from the surface of grate for gas cookers,
- From surface of glass for electric cookers.

5.2 Installation accessories



1. Product
2. Inner Chimney
3. Outer Chimney
4. Ø150/120 mm Plastic Flue Adapter
5. Chimney Connection Plate
6. User Manual
7. Assembly Pattern
8. 6x Hanging Plates
9. 6x Ø6mm Plastic Dowel
10. 3x Ø10mm Plastic Dowel
11. 3x 5.5x60 Wall Mount Screw
12. 2x M5x35 Hanging Plate Connection Screw
13. 6x 3.9x22 Chimney Connection Plate Screw
14. 2x 3,5x9,5 Chimney Connection Plate Screw
15. 2x 3,5x9,5 Blind Screw
16. Plastic Adapter (Square to Round)
17. Non-Return Valve
18. Air Baffle
19. Plastic Adapter (Air Diverter)

The information required to make the location suitable for the installation of the hood is given below.

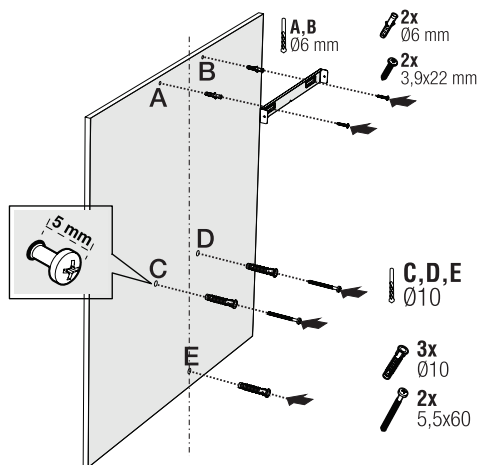
5 Installation of appliance

5.3 Wall mounting

Wall must be flat, straight and have the sufficient bearing capacity.

Depth of drilling holes must comply with the length of bolts.

The bolts and dowels provided are suitable for brick walls. For other construction material (e.g. drywall, plate, porous concrete), suitable fixing dowels and nuts shall be used.



(Figure 1)



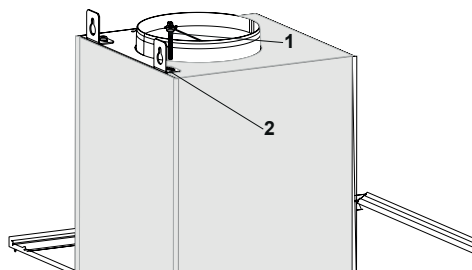
CAUTION: Before drilling, ensure that there are no power, gas or water pipes in the close proximity of the drilling locations.

Draw a mid location line from the ceiling perpendicular to the lower edge of the hood.

Fix the assembly scheme on the wall. For points A and B, take the maximum dimensions of the hood as reference, and drill points A and B you have marked with a Ø6mm drill bit, and tap Ø6mm plastic wall plugs. Install the chimney connection plate to the wall with 2 pieces of 3.9x22 screws (Figure 2).

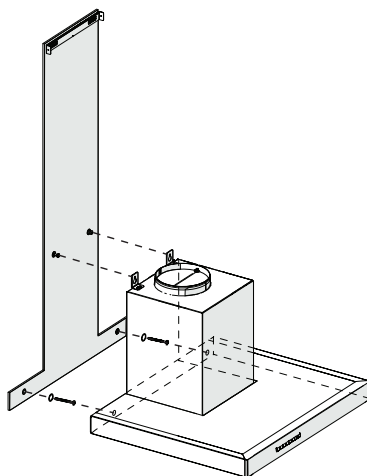
To install the hood body, drill points C,D,E specified in the installation template with a Ø10mm drill bit and tap Ø10mm plastic dowels to these points (Figure 2).

Install 2 pieces of 5.5x60 mounting screws to points C and D with a clearance of 5 mm between the screw head and the wall (Figure 2).



(Figure 2)

Install two pieces of hanging plates to the body of the hood with M5x35 mounting screws (Figure 2).



(Figure 3)

Hold the cooker hood by its body and place it on the mounting screws on the wall and tighten the screws (Figure 3).

5 Installation of appliance

Secure the cooker hood with 5.5x60 screws to the wall through the mounting hole on the interior of the appliance (Figure 3).

5.4 Connecting to chimney

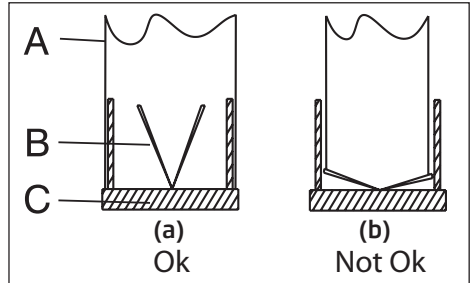
If you are going to use the Ø 120/150 mm plastic Chimney adapter, connect one end of the pipe to this adapter, if you are not going to use it, to the direct output on the product. Connect the other end of the pipe to your Chimney. Check that these two connections are tight enough so they will not come out when the appliance runs on full power. Check if the flaps inside the Chimney operate when they are tightened with clamps. Connect the Chimney connection duct outside the adapter (Figure 5/a). If the connection duct is fitted inside the adapter, suction of air shall not occur as the Chimney flap that prevents the return of air will remain closed (Figure 5/b). The length of the pipe connection as well as the number of elbows must be as minimum as possible.

A : Chimney exit pipe

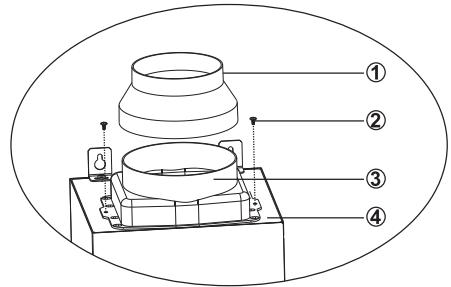
B : Non return flaps

C : Plastic flue

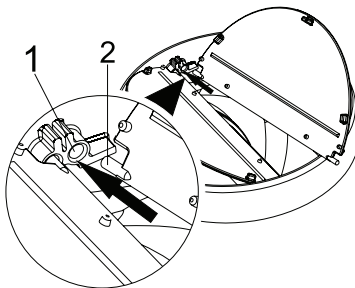
The valves are closed then the appliance is not operating and prevent possible outside odour and dust from entering inside.



(Figure 5)



(Figure 6)



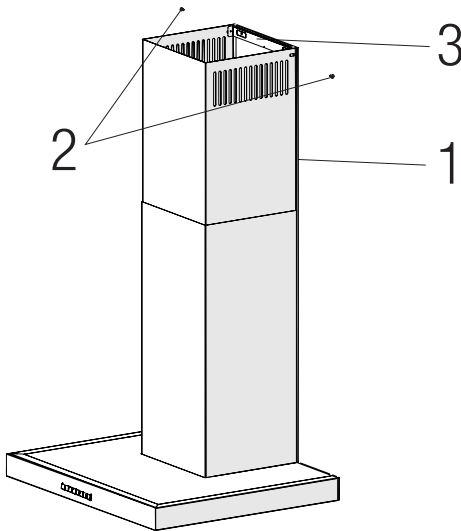
(Figure 4)

5 Installation of appliance

5.5 Installation of the hood to the chimney

Make the electrical connection of your hood before starting the installation of the Chimney. Slip the Chimney plates around the body.

Install the Chimney plate to the Chimney fastening plate that is secured to the wall from its upper outer edges (Figure 7).

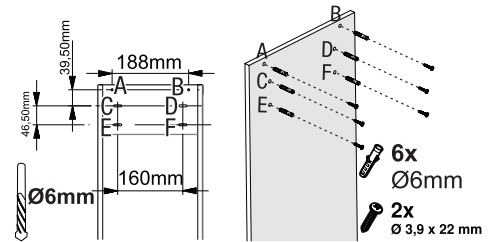


(Figure 7)

1. Inner chimney
2. 3.5x9.5 screw
3. Chimney connection plate

5.6 Installation of air baffle

While using with the carbon filter, air baffle is provided with your appliance with the aim of re-releasing the air which is cleaned with carbon filter from the perforated located on the Chimney. Assemble the air baffle as below.



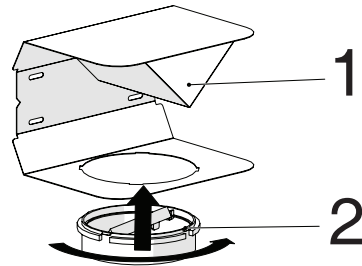
(Figure 8)

There is a tab in the middle of the Chimney connection plate. Place the middle point of this tab on the line that is drawn perpendicular to the wall. Align horizontally and mark the holes where the connection plate will be mounted via a pen (Figure 8/A, B).

Drill the marked points with $\text{Ø}6\text{mm}$ drill and insert two $\text{Ø}6\text{mm}$ plastic dowels in the drilled holes (Figure 8/A, B).

Fix the Chimney connection plate to the wall with 3.9x22 screws (Figure 8/A, B).

For air baffle assembly, install point C, D, E, F with $\text{Ø}6\text{mm}$ drill and $\text{Ø}6\text{mm}$ plastic dowels (Figure 8).

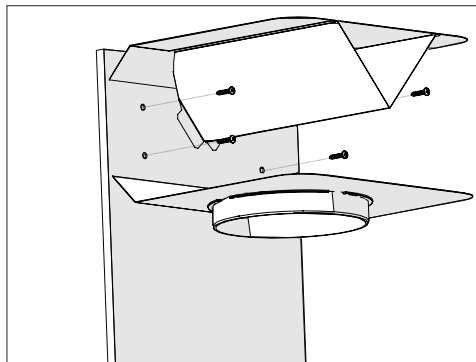


(Figure 9)

5 Installation of appliance

1. Air baffle
2. Plastic chimney

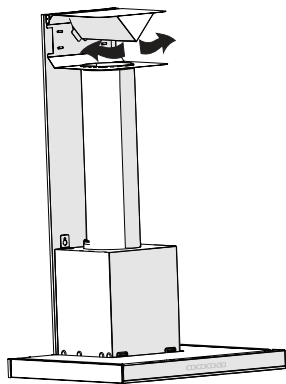
Attach the plastic Chimney adapter, which is included in the package, in the direction of the air baffle. Lock the Chimney adapter by turning it in the direction of the arrow (Figure 9).



(Figure 10)

Assemble the air baffle group with 3.9 x 22 screws from point C, D, E, F that you have already prepared (Figure 8).

Assemble the hood body (Figure 1).



(Figure 11)

1. Aluminium Air Outlet Pipe

Make the air outlet pipe assembly (Figure 11).



Since twists and bends in the aluminium pipe will lead to reduction in the air suction power, avoid using twists and bends as much as possible.

Install the Chimney plates of the hood (Figure 7)

6 Troubleshooting

Troubleshooting	Root Cause	Help
Appliance is not working.	Check your fuses.	Fuse may be blown, inspect and restore it.
Appliance is not working.	Check the electrical connection.	Mains voltage shall be between 220 and 240 V.
Appliance is not working.	Check the electrical connection.	Check if other appliance in your kitchen operate.
Illumination light does not operate.	Check the electrical connection.	Mains voltage shall be between 220 and 240 V.
Illumination light does not operate.	Inspect the lamp switch.	Lamp switch shall be at "on" position.
Illumination light does not operate.	Inspect the lamps.	The lamps of the appliance shall illuminate.
Air inlet of the appliance is inadequate.	Inspect the grease filter.	Under normal operating conditions, grease filter shall be cleaned at least once in a month.
Air inlet of the appliance is inadequate.	Check the air discharge flue.	The air discharge flue shall be at "on" position.
Air inlet of the appliance is inadequate.	Inspect the carbon filter.	The filters of the appliances with carbon filters shall be replaced once in every 3 months under normal conditions.

¡Lea el manual de usuario antes de utilizar el aparato!

Estimado cliente:


Gracias por elegir un aparato Beko. Esperamos que obtenga los mejores resultados de su aparato, ya que ha sido fabricado con gran calidad y con tecnología de última generación. Por esta razón, le aconsejamos que lea este manual de usuario y todos los demás documentos adjuntos con atención antes de utilizar el aparato y que los guarde para futuras consultas. Si entrega este aparato a otra persona, proporcionele también el manual de usuario. Siga las instrucciones prestando especial atención a toda la información y advertencias incluidas en el manual de usuario.

Recuerde que este manual de usuario también puede servir para otros modelos. En el manual se describen las diferencias entre los modelos explícitamente.

Significado de los símbolos

Los siguientes símbolos se usan en las diversas secciones del presente manual de usuario:

	Información importante y consejos útiles sobre su uso.
--	--

	ADVERTENCIA: Advertencias de situaciones peligrosas sobre la seguridad de las personas y la propiedad.
--	---

	ADVERTENCIA: Advertencia de peligro de incendio.
---	---

	ADVERTENCIA: Advertencia sobre posibles descargas eléctricas.
--	--



Este aparato se ha fabricado en plantas de fabricación modernas y que hacen uso de procesos respetuosos con el medio ambiente.

1 Instrucciones importantes para la seguridad y el medio ambiente

1.1 Seguridad general

Lea las instrucciones importantes de seguridad y guárdelas para su futura consulta

Esta sección contiene instrucciones de seguridad que ayudarán a la protección contra los riesgos de incendio, descargas eléctricas, exposición a la energía de microondas, lesiones personales o daño a la propiedad. El incumplimiento de estas instrucciones anulará cualquier tipo de garantía.

- Los productos Beko cumplen con todas las normas de seguridad aplicables; por ello, si el cable o el aparato presentan daños, deberán ser reparados o sustituidos por el distribuidor, un servicio técnico o una persona cualificada y autorizada para evitar cualquier peligro. Los trabajos de reparación deficientes o realizados por personal no cualificado puede ser peligrosos y entrañar riesgos para el usuario.
- Este aparato está destinado al uso doméstico y aplicaciones parecidas, como por ejemplo:

- Cocinas para uso del personal de tiendas, oficinas y otros entornos laborales;
 - Casa rurales;
 - Por clientes en hoteles o cualquier otro tipo de entorno residencial;
 - Entornos de tipo «Habitación y desayuno» (Bed and Breakfast).
- Utilice este aparato únicamente para su uso previsto, tal como se describe en este manual.
 - El fabricante no se hace responsable de los daños provocados por una instalación incorrecta o un uso inapropiado del producto.
 - Este aparato puede ser utilizado por niños mayores de 8 años y por personas con capacidades físicas, sensoriales o mentales reducidas o con falta de experiencia y conocimientos, siempre que estén bajo supervisión o hayan recibido instrucciones pertinentes sobre el uso del aparato de manera segura y comprendan los peligros que conlleva.

1 Instrucciones importantes para la seguridad y el medio ambiente

- No deje que los niños jueguen con el aparato. La limpieza y mantenimiento del usuario no deben ser realizados por niños sin supervisión.
 - La distancia mínima entre la superficie de soporte de los recipientes para cocinar en los fogones y la parte más baja de su aparato debe ser de al menos 65 cm.
 - Si en las instrucciones de instalación de la placa de gas se indica una distancia superior, deberá tenerse en cuenta este hecho.
 - Asegúrese de que la fuente de alimentación cumpla con la información que se indica en la placa de datos del aparato.
 - Nunca utilice el aparato si está dañado el cable de alimentación o el mismo aparato.
 - Evite daños al cable procurando que no sufra tirones, no se doble y no roce con bordes afilados para evitar dañarlo. Mantenga el cable de corriente alejado de superficies calientes y llamas descubiertas.
 - Use el aparato únicamente con un enchufe con toma a tierra.
- ADVERTENCIA:** No conecte el aparato a la red eléctrica antes de que la instalación se haya realizado por completo.
- Coloque siempre el aparato de forma que el enchufe quede a mano.
 - No toque las lámparas si han estado en funcionamiento durante mucho tiempo. Pueden ocasionar quemaduras en las manos ya que estarán calientes.
 - Siga las normas establecidas por las autoridades competentes para la descarga del aire de salida (esta advertencia no es aplicable sin la conexión de la chimenea).
 - Encienda el aparato después de colocar una olla, una sartén, etc, en los fogones. De lo contrario, las altas temperaturas pueden provocar deformaciones en algunas partes del aparato.
 - Apague los fogones antes de retirar las ollas, los sartenes, etc.

1 Instrucciones importantes para la seguridad y el medio ambiente

- No deje aceite caliente en los fogones. Las sartenes con aceite caliente pueden ocasionar auto-combustión.
- Preste atención a las cortinas y los estores, ya que, al cocinar platos como patatas fritas, el aceite puede originar un incendio.
- El filtro antigrasa se debe reemplazar por lo menos una vez al mes. El filtro de carbón se debe reemplazar por lo menos cada 3 meses.
- El producto se debe limpiar siguiendo las instrucciones del manual de usuario. Si la limpieza no se ha llevado a cabo siguiendo el manual de usuario, puede haber riesgo de incendio.
- No use materiales filtrantes que no resistan el fuego en vez del filtro actual.
- Utilice únicamente accesorios originales o bien los que recomienda el fabricante.
- No use el aparato sin el filtro y no retire los filtros mientras el aparato esté en funcionamiento.
- En caso de fuego, desactive su producto y los aparatos de cocina.
- En caso de fuego, cubra la llama y nunca utilice agua para apagarlo.
- Desenchufe el aparato antes de cada limpieza y cuando no esté en uso.
- La presión negativa de la estancia no debe superar los 4 Pa (4 x 10 bar) cuando la campana para una placa eléctrica funcione simultáneamente con dispositivos de otro tipo de energía excepto la electricidad.
- En la estancia en donde se encuentra el aparato, el escape de equipos de combustible o gas, como calefactores, deben ser herméticos o estar absolutamente aislados.
- Para la conexión de la chimenea, use tuberías de 120 o 150 mm de diámetro. La conexión de las tuberías debe ser lo más corta posible y tener la menor cantidad de codos de tubería.

1 Instrucciones importantes para la seguridad y el medio ambiente

- ¡Peligro de descarga eléctrica! Mantenga todos los materiales de embalaje alejados de los niños.

PRECAUCIÓN: Las partes accesibles pueden alcanzar temperaturas elevadas al usarse con cocinas.

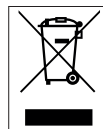
- El canal de salida del aparato no debe estar conectado a canales de aire por los que pasan humo.
- La ventilación de la estancia puede ser insuficiente cuando la campana extractora para placas eléctricas se utiliza al mismo tiempo que los aparatos que funcionan con gas u otros combustibles (esto puede no ser aplicable a los aparatos que solamente descargan el aire de nuevo en la estancia).
- Los objetos colocados encima del producto pueden caerse. No coloque ningún objeto encima del aparato.
- No flambear debajo del aparato.

ADVERTENCIA: Antes de instalar la campana, retire las películas protectoras.

- No dejar llamas altas descubiertas debajo de la campana extractora cuando está en funcionamiento
- Las freidoras se deberán vigilar continuamente durante su utilización: el aceite sobrecalentado es inflamable.

1.2 De conformidad con la Directiva RAEE y eliminación del producto al final de su vida útil:

Este producto cumple con la Directiva RAEE de la UE (2012/19/UE). Este producto lleva un símbolo de clasificación de residuos de aparatos eléctricos y electrónicos (RAEE).



Este símbolo indica que este producto no debe eliminarse con otros residuos domésticos al final de su vida útil. El aparato usado debe ser devuelto al punto de recogida oficial para el reciclaje de aparatos eléctricos y electrónicos. Para encontrar estos sistemas de recogida, por favor, póngase en contacto con las autoridades locales o con el distribuidor donde se compró el producto. Cada hogar desempeña un papel importante en la recuperación y el reciclaje de los aparatos viejos. La eliminación adecuada de los aparatos usados ayuda a prevenir las posibles consecuencias negativas para el medio ambiente y la salud humana.

1

Instrucciones importantes para la seguridad y el medio ambiente

1.3 Conformidad con la Directiva RoHS

El producto que ha adquirido cumple con la Directiva RoHS de la UE (2011/65/UE). No contiene materiales peligrosos ni prohibidos especificados en la Directiva.

1.4 Información sobre el embalaje

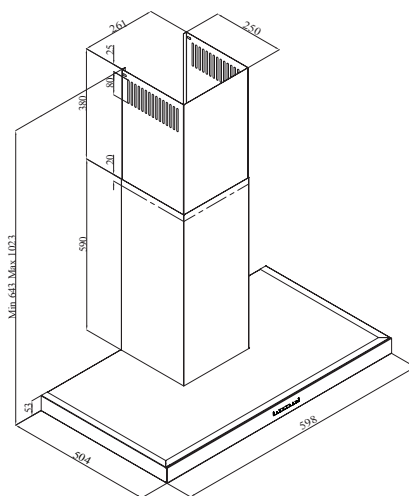
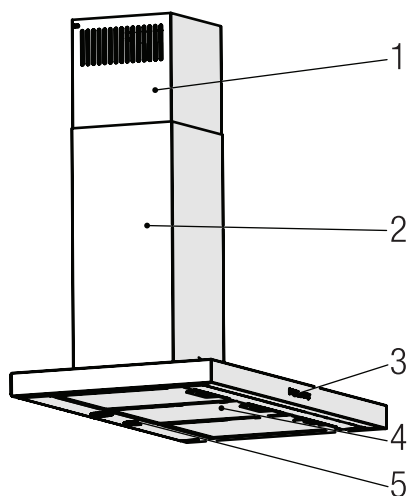


Los materiales de embalaje del producto están fabricados con materiales reciclables de acuerdo con nuestra Normativa Medioambiental Nacional.

No deseche los materiales de embalaje junto con los residuos domésticos o de otro tipo. Llévelos a los puntos de recogida de material de embalaje designados por las autoridades locales.

2 Apariencia general

2.1 Visión de conjunto







1. Conducto interno
2. Conducto exterior
3. Panel de control
4. Filtros de aceite de aluminio
5. Iluminación de la estufa

2.2 Datos técnicos

Modelo	BHCB 61632 XH
Tensión de alimentación	220-240V ~ 50 Hz
Potencia de la lámpara	2 x 3 W
Potencia del motor	210 W
Caudal - 3. Nivel	612 m³/h
Clase de aislamiento del motor	Clas F
Clase de aislamiento	Class I

3 Funcionamiento del aparato

3.1 Control del aparato

			
A	B	C	D
BOTÓN	FUNCIÓN		
A : 1. Botón de nivel	Hace funcionar el aparato en la primera velocidad. Cuando se pulsa este botón de nuevo para apagar el aparato, el nivel de velocidad de la pantalla se apaga.		
B : 2. Botón de nivel	Hace funcionar el aparato en la segunda velocidad. Cuando se pulsa este botón de nuevo para apagar el aparato, el nivel de velocidad de la pantalla se apaga.		
C : Botón del nivel 3	Hace funcionar el aparato en la tercera velocidad. Cuando se pulsa este botón de nuevo para apagar el aparato, el nivel de velocidad de la pantalla se apaga.		
D : Luz Encendida / Apagada	Puede iluminar el área de cocción pulsando este botón. Vuelva a pulsar este botón para apagar la lámpara.		

3.2 Funcionamiento eficiente y ahorro de energía Uso

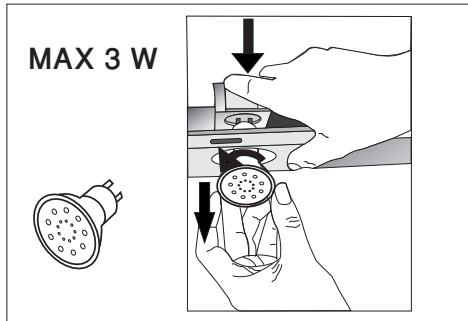
- Al utilizar su campana, ajuste la velocidad de acuerdo a la cantidad de vapores y olores existentes, para así ahorrar energía.
- Utilice velocidades bajas (1-2) en condiciones normales, y velocidades altas (3) para el olor y el vapor intensos.
- Las lámparas en la campana son colocadas para iluminar la superficie donde se cocina.
- Al usarlas como luces de ambientación se desperdiciará energía innecesariamente y dará una luz insuficiente.

3.3 Instrucciones de funcionamiento


- Su campana contiene un motor con varias velocidades.
- Para un mejor rendimiento, recomendamos utilizar velocidades bajas en condiciones normales y velocidades altas en casos de olores fuertes y vapor intenso.
- Puede iniciar su campana pulsando el botón de la velocidad deseada. (A, B, C)
- Puede iluminar el área de cocción presionando la lámpara (D).

3 Funcionamiento del aparato

3.4 Reemplazo de la lámpara

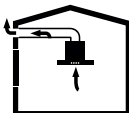


Haga las conexiones eléctricas del aparato. Su aparato utiliza una bombilla LED de 3W. Para cambiar las bombillas, empuje el soporte desde atrás hacia abajo, gírelo en sentido contrario a las agujas del reloj y sáquelo hacia abajo. Haga lo anterior a la inversa para instalar nuevas bombillas.

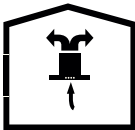
Bombilla	
Potencia de la bombilla	3 W
Soporte / enchufe	GZ 10
Voltaje de la bombilla	220 - 240 V
Tamaño	53 x 50 mm
Código ILCOS	DR/F3-220-240-GZ10-50-53
Luminous flux	250 lm
Correlated colour temperature	3000 K

Este producto dispone de una fuente luminosa de clase de eficiencia energética "F".

3.5 Funcionamiento con conexión al conducto

-  El vapor se extrae a través del conducto de humo, que está sujeto a la cabeza de conexión en la campana.
- El diámetro del conducto de humos debe ser el mismo que el del anillo de conexión. En los entornos horizontales, el tubo tiene que tener una ligera inclinación hacia arriba (alrededor de 10°) para que el aire pueda salir fácilmente de la habitación.

3.6 Funcionamiento sin conexión al conducto

-  El aire se filtra a través del filtro de carbón y circula en la habitación. El filtro de carbón se utiliza cuando es imposible utilizar un conducto para humos en casa.
- Si el funcionamiento es sin conducto, quite las tapas dentro del adaptador del conducto.
- Retire el filtro de aceite. Para instalar el filtro de carbón, colóquelo en las pestañas centrándolo en la pieza de plástico a ambos lados del cuerpo del ventilador. Apriételo girando a la derecha o a la izquierda.
- Reemplace el filtro de aceite.

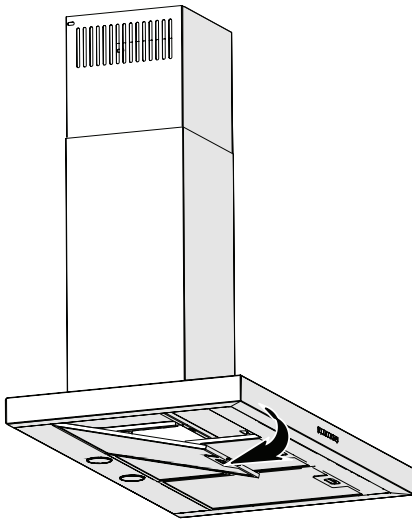
4 Limpieza y mantenimiento



Antes de la limpieza y el mantenimiento, desenchufe el producto o apague el interruptor.

4.1 Limpieza de los filtros de aceite de aluminio

El filtro de aceite de aluminio se utiliza para retener las partículas de aceite en el aire. Los filtros de aluminio pueden cambiar de color después de ser limpiados repetidamente. Esto es normal, y no debe reemplazar sus filtros.



- Empuje el cierre del filtro de aceite de aluminio hacia adelante.
- Luego tire ligeramente hacia abajo y sáquelo (imagen 4). De lo contrario, puede deformar el filtro. Lave y enjuague los filtros de aceite de aluminio con detergente líquido y sustituya los filtros de aceite de aluminio realizando los pasos especificados anteriormente en orden inverso. Estos filtros de aceite de aluminio se utilizan para retener las partículas de aceite en el aire.

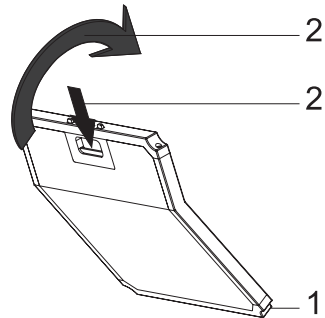


También puede lavar los filtros de aceite de aluminio en la lavadora.



PRECAUCIÓN: En caso de uso normal, limpie su filtro de aceite de aluminio una vez al mes.

4.2 Sustitución de los filtros de carbón



- El aparato que usted ha comprado es apropiado para su uso con filtros de carbón.
- Retire los filtros de aceite de aluminio.
- Coloque la parte inferior del filtro de carbón en el alojamiento del motor.
- Pulse en la pestaña del filtro de carbón y empujelo hacia adelante, y asegúrese de que las pestañas del filtro de carbón estén enganchadas y bloqueadas.
- Coloque los filtros de aceite de aluminio.



PRECAUCIÓN

- El filtro de carbón nunca será lavado.
- Reemplace los filtros de carbón una vez cada 3 meses.
- Puede obtener el filtro de carbón en los servicios técnicos autorizados.

5 Instalación del aparato



¡ADVERTENCIA: Antes de comenzar la instalación, lea la información de seguridad en el manual de usuario.

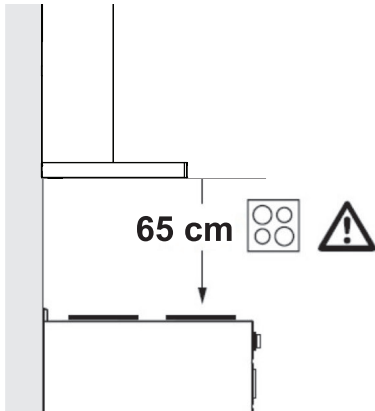


¡ADVERTENCIA: Si no se instalan los tornillos y estabilizadores de acuerdo con estas instrucciones, puede producirse una descarga eléctrica.

Para la instalación de la campana, por favor contacte con el servicio técnico autorizado más cercano.

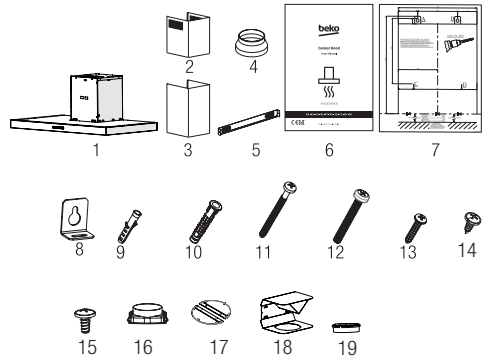
Es responsabilidad del cliente proveer la ubicación e instalación eléctrica apropiadas para la campana.

5.1 Posición del aparato



- La distancia entre la cocina y la campana extractora debe ser tenida en cuenta antes del montaje. Esta distancia debe ser de 65 cm.
- La distancia debe medirse desde la superficie de la rejilla para las cocinas de gas,
- y desde la superficie del vidrio para las cocinas eléctricas.

5.2 Accesorios de instalación



1. Producto
2. Conducto interno
3. Conducto exterior
4. Adaptador de Conducto de Chimenea de $\varnothing 150/120\text{mm}$
5. Placa de conexión del conducto
6. Manual de Usuario
7. Patrón de ensamblaje
8. 6x Placas de suspensión
9. 6x clavijas de plástico de $\varnothing 6\text{mm}$
10. 3x taquetes de plástico de $\varnothing 10\text{mm}$
11. 3x tornillos de montaje para pared de 5.5×60
12. 2x $M5 \times 35$ Tornillo de conexión de la placa de suspensión
13. 6x 3.9×22 Tornillo de la placa de conexión del conducto
14. 2x 3.5×9.5 tornillos de la placa de conexión de la chimenea
15. 2x $3,5 \times 9,5$ tornillos ciegos
16. Adaptador plástico (de cuadrado a redondo)
17. Válvula anti-retorno
18. Deflector de aire
19. Adaptador plástico (desviador de aire)

5 Instalación del aparato

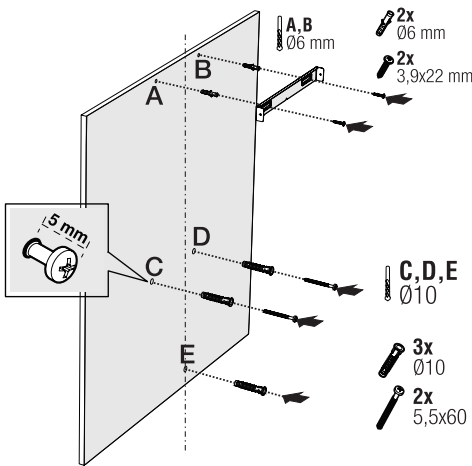
La información necesaria para elegir un lugar adecuado para la instalación de la campana se da a continuación.

5.3 Montaje en la pared

La pared debe ser plana, recta y tener una capacidad de carga suficiente.

La profundidad de los agujeros de perforación deben coincidir con la longitud de los pernos.

Los tornillos y tacos proporcionados son adecuados para paredes de ladrillo. Para otros materiales de construcción (por ejemplo, paneles de yeso, placas, hormigón poroso), se deben utilizar apropiadas clavijas y tuercas de fijación.



(Imagen 1)



PRECAUCIÓN: Antes de perforar, asegúrese de que no existan tuberías de alimentación, gas o agua cerca de las locaciones de perforación.

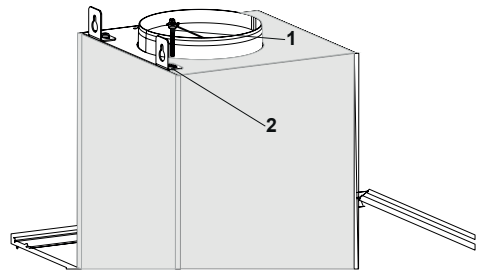
Dibuje una línea perpendicular desde techo hasta al borde inferior de la campana de cocina.

Fije el esquema de montaje a la pared. Para los puntos A y B, tome como referencia las dimensio-

nes máximas de la campana, taladre en os puntos A y B que ha marcado con una broca de Ø6mm y, a continuación, inserte los tacos de plástico de Ø6mm. Instale la placa de conexión del conducto en la pared con 2 unidades de tornillos de 3,9x22 (Imagen 2).

Para instalar el cuerpo de la campana, taladre los puntos C, D, E especificados en la plantilla de instalación con una broca de Ø10mm e inserte los tacos de plástico de Ø10mm en estos puntos (Imagen 2).

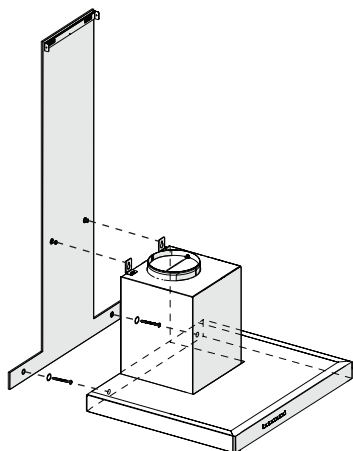
Instale 2 tornillos de montaje de 5,5x60 en los puntos C y D con un espacio de 5 mm entre la cabeza del tornillo y la pared (Imagen 2).



(Imagen 2)

Instale dos placas de suspensión en el cuerpo de la campana con tornillos de montaje M5x35 (Imagen 2).

5 Instalación del aparato



(Imagen 3)

Sostenga la campana extractora por su cuerpo y colóquela sobre los tornillos de montaje en la pared y apriete los tornillos (Imagen 3).

Fije la campana extractora con un tornillo de 5,5x60 a la pared a través del orificio de montaje en el interior del aparato (Imagen 3).

5.4 Conexión al conducto

Si va a utilizar el adaptador de plástico para conductos de humos de 120/150 mm de diámetro, conecte un extremo del tubo a este adaptador, si no lo va a utilizar, a la salida directa del producto. Conecte el otro extremo del tubo al conducto de humos. Compruebe que estas dos conexiones están lo suficientemente firmes para que no se aflojen cuando el aparato funcione a plena potencia. Compruebe si las tapas del interior del conducto funcionan cuando se aprietan

con las abrazaderas. Conecte la conexión del conducto fuera del adaptador (Imagen 5/a). Si el conducto de conexión está colocado en el interior del adaptador, no se producirá la succión de aire ya que la tapa de salida de humos que impide el retorno del aire permanecerá cerrada (Imagen

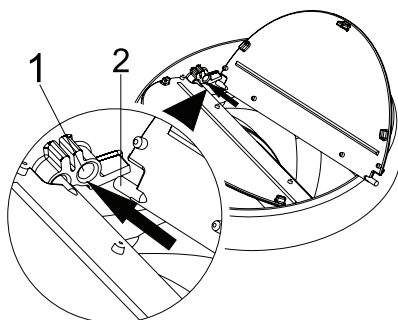
5/b). La longitud de la conexión de la tubería, así como el número de codos deben ser de lo mínimo posible.

A : Tubo de salida de humos

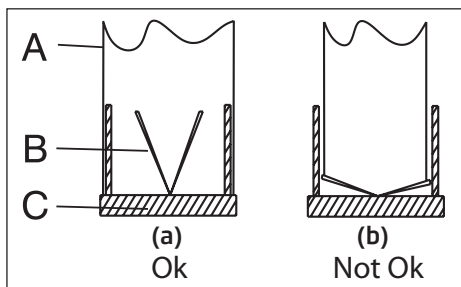
B : Tapas de no retorno

C : Adaptador de escape de plástico

Las válvulas están cerradas y el aparato no funciona, lo que evita que el posible olor exterior y el polvo entren en el interior.

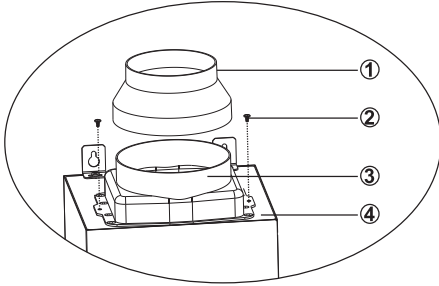


(Imagen 4)



(Imagen 5)

5 Instalación del aparato

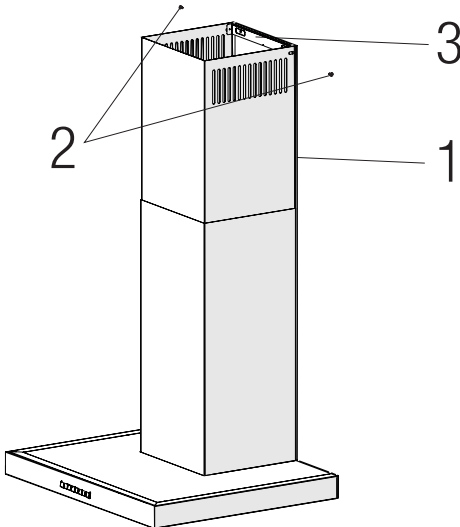


(Imagen 6)

5.5 Instalación de la campana en el conducto

Lleve a cabo la conexión eléctrica de su campana antes de empezar con la instalación del conducto de humos. Deslice las placas del conducto alrededor del cuerpo.

Instale la placa del conducto en la placa de sujeción del conducto que está fijada a la pared por sus bordes exteriores superiores (Imagen 7).



(Imagen 7)

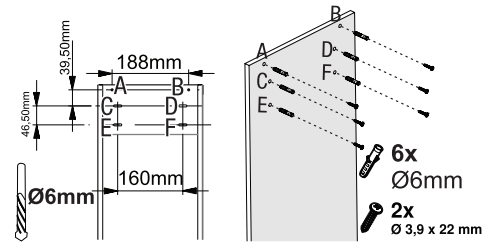
1. Conducto interno

2. 2 tornillos de 2x 3,5x9,5

3. Placa de conexión del conducto

5.6 Instalación del deflector de aire

Si se adquiere la versión con filtro de carbón, el deflector de aire se suministrará con el aparato con el objetivo de volver a liberar el aire que se limpia con el filtro de carbón. Este aire proviene de los orificios situados en el conducto de humo. Monte el deflector de aire como se indica a continuación.



(Imagen 8)

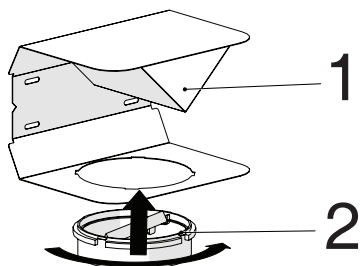
En el medio de la placa de conexión del conducto hay una pestaña. El punto medio de la pestaña se coloca en la línea perpendicular dibujada en la pared. Alinee horizontalmente y marque los agujeros donde se montará la placa de conexión con un bolígrafo (Imagen 8/A, B).

Taladre los puntos marcados con un taladro de $\text{Ø}6\text{mm}$ e inserte dos tacos de plástico de $\text{Ø}6\text{mm}$ en los agujeros taladrados (Imagen 8/A, B).

Fije la placa de conexión del conducto a la pared con tornillos de 3,9x22 (Imagen 8/A, B).

Para el montaje del deflector de aire, perforo el punto C, D, E, F con un taladro de $\text{Ø}6\text{mm}$ e inserte tacos de plástico de $\text{Ø}6\text{mm}$ (Imagen 8).

5 Instalación del aparato



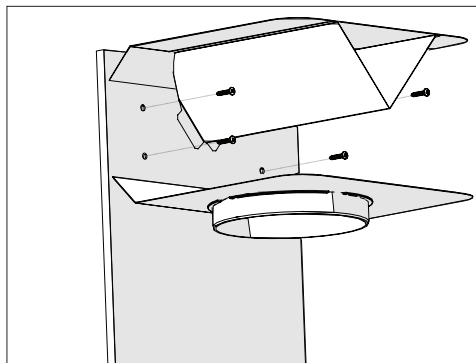
(Imagen 9)

1. Deflector de aire

2. Conducto de plástico

Coloque el adaptador de plástico para conductos de humos, que se incluye en el paquete, en la misma dirección del deflector de aire.

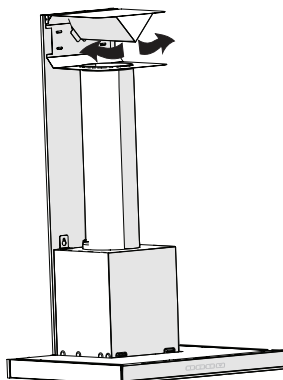
Fije el adaptador del conducto girándolo en la dirección de la flecha (Imagen 9).



(Imagen 10)

Monte el deflector de aire con tornillos de 3,9 x 22 en los puntos C, D, E, F que ya ha preparado anteriormente (Imagen 8).

Monte el cuerpo de la campana (Imagen 1).



(Imagen 11)

1. Tubo de salida de aire de aluminio

Monte el tubo de salida de aire (Imagen 11).



Ya que los giros y curvas del tubo de aluminio conducirán a una reducción de la potencia de aspiración de aire, evite usarlos tanto como sea posible.

Instale las placas de conducto de la campana (Imagen 7)

6 Solución de problemas

Solución de problemas	Causa principal	Ayuda
El aparato no funciona.	Revise los fusibles.	El fusible puede estar fundido, revíselo y cámbielo, si es necesario.
El aparato no funciona.	Revise la conexión eléctrica.	El voltaje de la red debe ser entre 220 y 240 V.
El aparato no funciona.	Revise la conexión eléctrica.	Compruebe si funcionan otros aparatos en su cocina.
La lámpara de iluminación no funciona.	Revise la conexión eléctrica.	El voltaje de la red debe ser entre 220 y 240 V.
La lámpara de iluminación no funciona.	Revise el interruptor de la lámpara.	El interruptor de la lámpara debe estar en posición "on" (encendido).
La lámpara de iluminación no funciona.	Revise las lámparas.	Las lámparas del aparato se iluminarán.
La entrada de aire del aparato no es adecuada.	Revise el filtro de aluminio.	En condiciones normales de funcionamiento, el filtro de aceite de aluminio se limpiará al menos una vez al mes.
La entrada de aire del aparato no es adecuada.	Revise el conducto de descarga de aire.	El conducto de descarga de aire debe estar en posición "on" .
La entrada de aire del aparato no es adecuada.	Revise el filtro de carbón.	Los filtros de carbón serán reemplazados una vez cada 3 meses en condiciones normales.



**Contacto para asistencia técnica:
902 877 665 / 932 992 581**

CONDICIONES DE GARANTIA - ESPAÑA

El presente certificado cubre la garantía de reparación de su electrodoméstico durante dos años, a partir de la fecha de venta, contra todo defecto de funcionamiento proveniente de fabricación o materiales; o de sustitución del aparato, salvo que una de estas opciones resulte imposible o desproporcionada respecto de la otra. Cuando usted detecte un defecto o anomalía en el aparato contacte de forma inmediata con nosotros, un plazo de dos meses es el límite para informarnos de la falta de conformidad. El cargo de desplazamiento está incluido en la reparación, excepto para pequeños electrodomésticos que pueden ser transportados al taller del servicio oficial de la marca. En caso de sustitución, el plazo de garantía se suspende y el nuevo aparato mantendrá el periodo de vigencia del aparato sustituido, y como mínimo 6 meses de garantía.

La presente garantía sólo será válida si se presenta factura, ticket de compra o el albarán de entrega del producto correspondiente si éste fuera posterior a la fecha de factura. La presente garantía es válida en el territorio español y portugués para los aparatos distribuidos por Beko Electronics España S.L.. La garantía sólo tendrá validez sobre el primer comprador o adquirente del producto. La garantía será válida para aparatos adecuados a las condiciones climáticas y medioambientales en que estén ubicados.

EXCLUSIONES DE LA GARANTIA

El coste de la reparación será a cargo del usuario en los siguientes casos:

- Los aparatos utilizados para uso profesional o no exclusivamente doméstico, en establecimientos públicos, industriales o comerciales.
- Los aparatos desmontados o manipulados por personas ajenas a los servicios técnicos expresamente autorizados.
- Las instalaciones, transporte, sustitución de aparatos, puestas en marcha, cambio de sentido de puertas.
- Intervenciones de mantenimiento o de información sobre el uso de los aparatos.
- Cambio de inyectores en aparatos de gas.
- Las averías provocadas por falta de mantenimiento o limpieza o aquellas provocadas por un uso indebido, sobrecarga, abandono o de manera no conforme a las instrucciones de uso o de instalación de los aparatos.
- Las averías producidas por causas fortuitas, siniestros de fuerza mayor o derivados de instalación incorrecta y en general, averías por causas ajenas al propio aparato.
- Las averías provocadas por conexiones que puedan presentar fluctuaciones, irregularidades o falta de uniformidad en el suministro, por ejemplo: suministro de agua impulsado por grupos de presión, energía solar, energía eólica, generadores eléctricos, u otro tipo de suministro no normalizado.
- La sustitución de materiales rotos o deteriorados por desgaste o uso no normal del aparato, o materiales consumibles tales como: juntas, plásticos, gomas, correas, cristales, escobillas, bombillas, asas, tiradores, tapas de quemadores, filtros, rejillas, ánodos de sacrificio (magnesio o similares) de calentadores o calderas, etc.
- Los aparatos que presenten oxidación, o daños por corrosión en esmaltes o pinturas, que puedan ser provocados por efectos químicos o electroquímicos del agua o cualquier otra sustancia, o aceleradas por circunstancias ambientales o climáticas no propicias.
- Defectos estéticos en serigrafía o pintura.
- Los daños de transporte o manipulación, golpes, etc.
- Los aparatos deben instalarse de forma accesible para su reparación, debiendo asumir el usuario los costes necesarios para el acceso al aparato para su reparación y sustitución.

La presente garantía no afecta a los derechos de que dispone el consumidor conforme a lo previsto en el Real Decreto 1/2007, de 16 de noviembre, por el que se aprueba el texto refundido de la Ley General para la Defensa de los Consumidores y Usuarios y otras leyes complementarias, y la Ley 3/2014 que la modifica.

El Servicio Oficial de Asistencia Técnica resolverá cualquier incidencia que pudiera precisar su electrodoméstico siempre que el aparato esté instalado de forma accesible.

Para asegurarse que su electrodoméstico va a ser intervenido por un técnico oficial autorizado, rogamos solicite el carnet avalado por ANFEL (Asociación Nacional de Fabricantes de Electrodomésticos) a nuestros técnicos.

Las marcas BEKO, ALTUS, BLOMBERG, y GRUNDIG se distribuyen por Beko Electronics España S.L.

DATOS APARATO (a rellenar por el Distribuidor):

Titular:		Sello Establecimiento:
Modelo:	Núm. serie:	
Establecimiento:	Fecha de compra:	

El garante e importador de su electrodoméstico es: BEKO ELECTRONICS ESPAÑA S.L. Calle Provenza nº 388 3º Barcelona 08025, España. El producto ha sido fabricado por ARÇELIK A.S (Arçelik A.S.Sütluce Karaağaç Cad. No:2-6 34445 Beyoglu, Istanbul, Turkey) o Arctic S.A. (210, 13 Decembrie St., 135200, Gaesti, Dambovită, Romania

Conózanlos mejor en nuestra página: www.beko.com Conserve este documento, es importante para usted.

პირველ რიგში, წაიკითხეთ ეს სახელმძღვანელო!





ძვირფასო მომხმარებელო,

მადლობას გიხდით BEKO-ს პროდუქტის არჩევისთვის. გვსურს უზრუნველვყოთ ოპტიმალური ეფექტურობა ამ მაღალი ხარისხის პროდუქტის გამოყენებისას, რომელიც წარმოებულია თანამედროვე ტექნოლოგიის გამოყენებით. მოწყობილობის გამოყენებამდე აუცილებლად წაიკითხეთ და გაიაზრეთ ამ სახელმძღვანელოს და დამატებითი დოკუმენტაციის შინაარსი და გამოიყენეთ ისინი ცნობისთვის. მოწყობილობის სხვა პირისთვის გადაცემისას ასევე გადაეცით ეს სახელმძღვანელო. გაეცანით სახელმძღვანელოში წარმოდგენილ ყველა გაფრთხილებას და ინფორმაციას და დაიცავით მითითებები.

გაითვალისწინეთ, რომ მოცემული მომხმარებლის სახელმძღვანელო შეიძლება ვრცელდებოდეს პროდუქტის რამდენიმე მოდელზე. სახელმძღვანელოში მკაფიოდ მითითებულია სხვადასხვა მოდელების ვარიანტები.

სიმბოლოები და მათი მნიშვნელობები

მოცემულ სახელმძღვანელოში გამოყენებულია შემდეგი სიმბოლოები:

- | | |
|--|--|
|  | მნიშვნელოვანი ინფორმაცია და რეკომენდაციები მოწყობილობის გამოყენებასთან დაკავშირებით. |
|  | გაფრთხილება: გაფრთხილება ფიზიკური დაზიანების ან ქონების დაზიანების რისკის შესახებ. |
|  | გაფრთხილება ელექტრული შოკის რისკის შესახებ. |
|  | გაფრთხილება ხანძრის გაჩენის რისკის შესახებ. |



რეციკლირებული და
გადამუშავებადი ქაღალდი

მოცემული პროდუქტი წარმოებულია თანამედროვე ქარხანაში, რომელშიც დაცულია გარემოს დაცვის ნორმები და რომელიც არ ავნებს გარემოს.

1.1 ზოგადი
უსაფრთხოება

მნიშვნელოვანი
ინსტრუქციის
უსაფრთხოებასთან
დაკავშირებით –

ყურადღებით წაიკითხეთ
და შეინახეთ ის
მომავალში ცნობისთვის
გამოსაყენებლად.

ეს ნაწილი მოიცავს
უსაფრთხოების
ინსტრუქციებს,
რომლებიც დაგიცავთ
ხანძრის გაჩენის,
ელექტრული შოკის,
ფიზიკური დაზიანებისა
და ქონების დაზიანების
რისკისგან. მოცემული
ინსტრუქციების
დაუცველობის
შემთხვევაში გარანტია
უქმდება.

• Beko-ს პროდუქცია
შეესაბამება
უსაფრთხოების
მოქმედ სტანდარტებს.
შეესაბამისად,
მოწყობილობის ან

მისი ელექტროკვების
კაბელის დაზიანების
შემთხვევაში, მისი
შეკეთება ან შეცვლა
უნდა განხორციელდეს
დილერის,
სერვისცენტრის,
სპეციალისტის ან
ავტორიზებული
სამსახურის მიერ.
შეკეთების არასწორმა
ან არასაკმარისმა
ოპერაციებმა შეიძლება
გამოიწვიოს რისკი და
საფრთხე შეუქმნას
მომხმარებელს.

• ეს პროდუქტი არ
არის განკუთვნილი
კომერციული
გამოყენებისთვის, იგი
განკუთვნილია სახლში
და შემდეგ პირობებში
გამოსაყენებლად:

– მალაზიების,
ოფისებისა და სხვა
სამუშაო სივრცეების
პერსონალისთვის
განკუთვნილ
სამზარეულოში;

- სოფლის სახლში;
- სასტუმროებში, მოტელებში ან სხვა საცხოვრებელ ობიექტებზე;
- ჰოსტელებში ან მსგავს გარემოში.
- გამოიყენეთ მოწყობილობა მხოლოდ ამ სახელმძღვანელოში აღწერილი დანიშნულებისამებრ.
- მწარმოებელი არ აგებს პასუხს დაზიანებაზე, რომელიც გამოწვეულია მოწყობილობის არასწორი მონტაჟით ან გამოყენებით.
- ამ მოწყობილობის გამოყენება შეუძლიათ 8 წლის და უფროსი ასაკის ბავშვებს, შეზღუდული ფიზიკური, სენსორული ან მენტალური უნარის მქონე ადამიანებს ან არასაკმარისი გამოცდილებით ცოდნის მქონე პირებს მხოლოდ იმ პირობით, რომ მათ მიერ მოწყობილობის გამოყენება მოხდება ზედამხედველობის ქვეშ ან მათ გააცნობენ მოწყობილობის უსაფრთხო გამოყენების ინსტრუქციებს, რომლებსაც ისინი გაიაზრებენ.
- ბავშვებმა არ უნდა დაარღვიონ მოწყობილობის უსაფრთხოების სისტემა. დაუშვებელია მოწყობილობის გასუფთავებისა და ტექნიკური მომსახურების ოპერაციების შესრულება ბავშვების მიერ ზრდასრულების მეთვალყურეობის გარეშე.
- მოწყობილობა უნდა დამონტაჟდეს ისე, რომ მინიმალური მანძილი მოწყობილობის ძირსა და იმ ზედაპირს

შორის, რომელზეც თავსდება სამზარეულოს ხელსაწყოები, შეადგენდეს 65 სმ-ს.

- თუ გაზქურის მონტაჟის ინსტრუქცია ითვალისწინებს ზემოთ მითითებულზე უფრო დიდ მანძილს, აუცილებელია მისი დაცვა.
- დარწმუნდით, რომ თქვენი ელექტროქსელი შეესაბამება მოწყობილობის ტექნიკურ პასპორტში მითითებულ ინფორმაციას.
- ნუ გამოიყენებთ მოწყობილობას, თუ მისი ელექტროკვების კაბელი დაზიანებულია.
- ელექტროკვების კაბელის დაზიანების თავიდან ასაცილებლად ნუ წაუჭერთ, ნუ მოუჭერთ მას და არ ახახუნოთ ის წვეტიან საგნებზე. ნუ განათავსებთ

ელექტროკვების კაბელს ცხელ ზედაპირებთან და ღია ალთან ახლოს.

- ჩართეთ მოწყობილობა მხოლოდ დამიწებულ ელექტროროზეტში.
- გაფრთხილება: ნუ ჩართავთ მოწყობილობას ელექტროქსელში მონტაჟის დასრულებამდე.
- განათავსეთ მოწყობილობა ისე, რომ ელექტროკვების კაბელის შემაერთებელი ადვილად ხელმისაწვდომი იყოს.
- ნუ შეეხებით ხელით პროდუქტის სანათებს, როდესაც ისინი ჩართულია ხანგრძლივი დროის განმავლობაში. შეიძლება მიიღოთ დამწვრობა, რადგან სანათები ცხელი იქნება.
- დაიცავით უფლებამოსილი ორგანოების მიერ მითითებული წესები და ინსტრუქციები

- გამომავალი ჰაერის გარეთ გაშვების თაობაზე. (ეს გაფრთხილება არ ვრცელდება კვამლსარიინის გარეშე გამოყენებაზე.)
- ჩართეთ პროდუქტი ქურაზე ჭურჭლის მოთავსების შემდეგ. წინააღმდეგ შემთხვევაში, მაღალმა ტემპერატურამ შეიძლება გამოიწვიოს საგნების დეტალების დეფორმაცია.
 - გამორთეთ ქურის კომფორტი, სანამ იქიდან ჭურჭელს გადმოდგამთ.
 - ნუ დატოვებთ მდულარე ზეთს ქურაზე. მდულარე ზეთის შემცველ ჭურჭელს შეიძლება გაუჩნდეს ცეცხლი.
 - რადგან ზეთს შეიძლება გაუჩნდეს ცეცხლი პროდუქტის შეწვისას, გამოიჩინეთ სიფრთხილე ფარდების და მაგიდის გადასაფარებლების მიმართ.
 - გარეცხეთ ზეთის ფილტრები თვეში ერთხელ. შეცვალეთ ნახშირის ფილტრები 3 თვეში ერთხელ.
 - პროდუქტის დროულად პერიოდულად გაუსუფთავებლობამ შეიძლება წარმოქმნას ხანძრის გაჩენის რისკი.
 - ნუ გამოიყენებთ ფილტრის ნაცვლად არაცეცხლმდეგ საფილტრე მასალებს.
 - გამოიყენეთ მხოლოდ ორიგინალური ან მწარმოებლის მიერ მოწოდებული ნაწილები.
 - ნუ გამოიყენებთ პროდუქტს ფილტრის გარეშე და ნუ მოხსნით ფილტრებს პროდუქტის გამოყენების დროს.
 - ცეცხლის გაჩენის შემთხვევაში, გამორთეთ მოწყობილობა და სამზარეულოს სხვა ხელსაწყოები ელექტროქსელიდან.

(გათიშეთ ელექტროკვების კაბელი როზეტიდან ან გამორთეთ მთავარი გადამრთველის მეშვეობით).

- ცეცხლის გაჩენის შემთხვევაში, დააფარეთ რამე ალს. არასოდეს გამოიყენოთ ალის ჩასაქრობად წყალი.
- გასუფთავება მდე ყოველთვის გათიშეთ მოწყობილობა ელექტროქსელიდან და არ გაწმინდოთ მოწყობილობა მისი გამოყენების დროს.
- ელექტროგამწოვის და ელექტრობისგან განსხვავებული ენერჯით მომუშავე სხვა მოწყობილობების ერთდროული გამოყენებისას უარყოფითი წნევა სივრცეში არ უნდა აღემატებოდეს 4 პა-ს (4 X 10 ბარს).

• პროდუქტთან ერთ სივრცეში გაზზე ან თხევად საწვავზე მომუშავე მოწყობილობები, როგორცაა ოთახის გამათბობელი, სრულად უნდა იყოს იზოლირებული პროდუქტის გამოსაშვები მილისგან ან უნდა იყოს ჰერმეტიული.

• პროდუქტისთვის კვამლსარიწის შეერთების მოწყობისას გამოიყენეთ 150 მმ ან 120 მმ დიამეტრის მქონე მილები. მილის შეერთების სიგრძე და მუხლების რაოდენობა რაც შეიძლება ნაკლები უნდა იყოს.

• გაგუდვის რისკი! შეინახეთ შესაფუთი მასალა ბავშვებისთვის მიუწვდომელ ადგილას.

• გაფრთხილება: ქურასთან და სამზარეულოს სხვა ხელსაწყოებთან ერთად გამოყენების შემთხვევაში პროდუქტის

ხელმისაწვდომი ნაწილები შეიძლება ცხელი იყოს.

- დაუშვებელია გამწოვის გამოსაშვები მილის შეერთება ისეთ სავენტილაციო მილებთან, რომლებთანაც შეერთებულია კვამლის სხვა წყაროები.
- ელექტროგამწოვის გაზზე ან სხვა საწვავზე მომუშავე მოწყობილობებთან ერთდროულად გამოყენებისას სივრცე საკმარისად უნდა ნიავედებოდეს. ეს გაფრთხილება არ ვრცელდება კვამლსარინის გარეშე გამოყენებაზე (გამოყენებაზე ნახშირის ფილტრით).
- მოწყობილობაზე განთავსებული საგნები შეიძლება ჩამოვარდეს. ნუ მოათავსებთ საგნებს

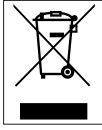
მოწყობილობაზე.

- მკაცრად აკრძალულია პროდუქტის გახეთქვა მოწყობილობის ქვეშ.
- გაფრთხილება: გამწოვის დამონტაჟებამდე მოაცილეთ დამცავი აპკი.
- ნუ დატოვებთ ღია ალს მოწყობილობის ქვეშ მისი გამოყენების დროს.
- დიდი რაოდენობით ზეთში შეწვა უნდა ხდებოდეს მეთვალყურეობის ქვეშ. მაღალ ტემპერატურამდე გაცხელებულ ზეთს შეიძლება გაუჩნდეს ცეცხლი.

1.2 შესაბამისობა WEEE

რეგულაციებთან და ნარჩენების უტილიზაცია

მოცემული პროდუქტი არ შეიცავს საშიშ და აკრძალულ ნივთიერებებს, რომლებიც მითითებულია თურქეთის გარემოს დაცვის და ურბანული დაგეგმარების სამინისტროს მიერ გამოცემულ „ელექტრო- და ელექტრონული მოწყობილობების ნარჩენების კონტროლის რეგულაციებში“. შეესაბამება WEEE რეგულაციებს.



მოცემული პროდუქტი
და მ ა მ უ ა დ ე ბ უ ლ ი ა
გადამუშავებადი და
განმეორებით გამოყენებადი
მაღალი ხარისხის

დეტალებისა და მასალებისგან.
შესაბამისად, პროდუქტის
ექსპლუატაციის ვადის გასვლის
შემდეგ ნუ მოახდენთ მის
უტილიზაციას სხვა საყოფაცხოვრებო
ნარჩენებთან ერთად. ჩააბარეთ
ელექტრო- და ელექტრონული
მოწყობილობის ჩაბარების პუნქტში.
ასეთი პუნქტების შესახებ
ინფორმაციისთვის მიმართეთ
ადგილობრივ ადმინისტრაციულ
ორგანოებს. შეგიძლიათ დაგვეხმაროთ
გარემოსა და ბუნებრივი რესურსების
დაცვაში გამოყენებული პროდუქტების
გადასამუშავებლად ჩაბარებით.

1.3 პროდუქტის შეფუთვა

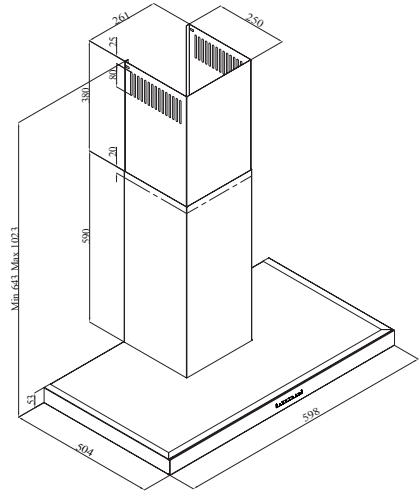
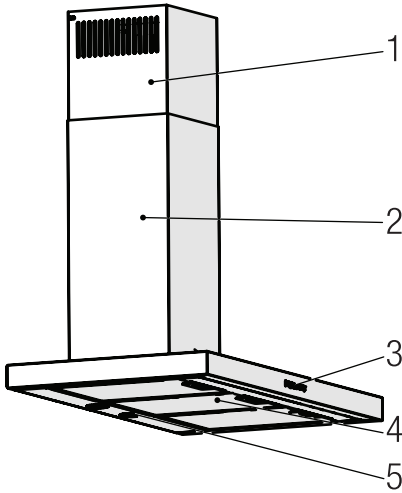


მ ო წ ყ ო ბ ი ლ ო ბ ი ს თ ვ ი ს
გამოყენებული შეფუთვა
და მ ა მ უ ა დ ე ბ უ ლ ი ა
გ ა დ ა მ უ შ ა ვ ე ბ ა დ ი

მასალებისგან. მოახდინეთ შეფუთვის
უტილიზაცია ცალკე, ადგილობრივი
ორგანოების რეგულაციების
შესაბამისად, რათა გარემოს დაცვის
მიზნით უზრუნველყოფილი იქნეს
მოწყობილობის შეფუთვის
გადამუშავება.

2 ზოგადი გარეგნული სახე

2.1 მიმოხილვა



1. შიდა კვამლსარინი
2. გარე კვამლსარინი
3. მართვის პანელი
4. ალუმინის ზეთის ფილტრები
5. ქურის გამანათებელი

2.2 ტექნიკური მონაცემები

მოდელი	BHCB 61632 XH
ელექტროქსელის ძაბვა	220-240V ~ 50 Hz
სანათის სიმძლავრე	2 x 3 ვტ
ძრავის სიმძლავრე	210 ვტ
ნაკადის სიჩქარე – 3. დონე	612 მ³/სთ
ძრავის იზოლაციის კლასი	კლასი F
იზოლაციის კლასი	კლასი I

3 მოწყობილობის გამოყენება

3.1 მოწყობილობის მართვა

	1	2	3	
	A	B	C	D
დილაკი	ფუნქცია			
A : 1. ფაზის დილაკი	მოწყობილობის გაშვება 1-ლი სიჩქარით. მოწყობილობის გამოსართავად ამ დილაკის განმეორებით დაჭერისას სიჩქარის ფაზა გამოირთვება.			
B : 2. ფაზის დილაკი	მოწყობილობის გაშვება მე-2 სიჩქარით. მოწყობილობის გამოსართავად ამ დილაკის განმეორებით დაჭერისას სიჩქარის ფაზა გამოირთვება.			
C : მე-3 ფაზის დილაკი	მოწყობილობის გაშვება მე-3 სიჩქარით. მოწყობილობის გამოსართავად ამ დილაკის განმეორებით დაჭერისას სიჩქარის ფაზა გამოირთვება.			
D : განათების ჩართვა / გამორთვა	ამ დილაკის დაჭერით შეგიძლიათ ჩართოთ განათება, რომელიც გაანათებს ქურას. სანათის გამოსართავად ხელახლა დააჭირეთ დილაკს.			

3.2 ენერგოეფექტური გამოყენება ენერჯის დაზოგვის თვალსაზრისით გამოყენება

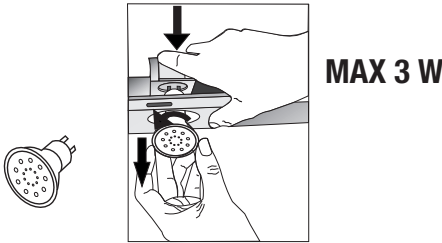
- ენერჯის დასაზოგად მოწყობილობის გამოყენებისას დაარეგულირეთ სიჩქარის პარამეტრები ორთქლის და სუნის ინტენსივობის შესაბამისად.
- ჩვეულებრივ პირობებში გამოიყენეთ დაბალი სიჩქარეები (1-2), ხოლო ინტენსიური სუნისა და ორთქლის შემთხვევაში გამოიყენეთ მაღალი სიჩქარე (3).
- სანათები გამწოვზე განლაგებულია ქურის გასანათებლად.
- ამ სანათების საერთო განათების მიზნით გამოყენება გამოიწვევს ენერჯის ზედმეტ ხარჯს და სივრცის არასაკმარის განათებას.

3.3 გამოყენების ინსტრუქცია


- მოწყობილობა შეიცავს ძრავას, რომელიც სხვადასხვა სიჩქარეებზე მუშაობს.
- ეფექტურობის გასაუმჯობესებლად გირჩევთ გამოიყენოთ დაბალი სიჩქარე ჩვეულებრივ პირობებში და მაღალი სიჩქარე ძლიერი სუნისა და ინტენსიური ორთქლის შემთხვევაში.
- ჩართეთ მოწყობილობა სიჩქარის სასურველი პარამეტრის დილაკზე დაჭერით. (A, B, C)
- სანათზე (D) დაჭერით შეგიძლიათ გაანათოთ ქურის სივრცე.

3 მოწყობილობის გამოყენება

3.4 სანათის შეცვლა

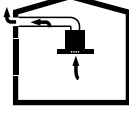


გამართეთ მოწყობილობის ელექტრო შეერთებები. მოწყობილობაში გამოიყენება 3 ვტ წერტილოვანი LED სანათი. სანათების შესაცვლელად დააწეით ბუდეს უკანა მხრიდან, დაატრიალეთ საათის ისრის საწინააღმდეგო მიმართულებით და მოხსენით სანათი. ახალი სანათების დასაყენებლად გაიმეორეთ იგივე პროცედურა საწინააღმდეგო თანმიმდევრობით.

ნათურა	
ნათურის სიმძლავრე	3 ვტ
ბუდე / როზეტი	GZ 10
ნათურის მძვავა	220 - 240 ვ
ზომა	53 x 50 მმ
ILCOS კოდი	DR/F3-220-240-GZ10-50-53
მანათობელი ნაკადი	250 lm
კორელაციური ფერის ტემპერატურა	3000 K

ეს პროდუქტი შეიცავს ენერგოეფექტურობის კლასის "F" სინათლის წყაროს.

3.5 გამოყენება კვამლსარიანის შეერთებით

- 

ორთქლის გარეთ გაშვება ხდება კვამლსარიანის მილის მეშვეობით, რომელიც მიერთებულია გამწოვის თავზე არსებულ შეერთებასთან.
- კვამლსარიანის მილის დიამეტრი უნდა იყოს შემაერთებელი რგოლის დიამეტრის ტოლი. ჰორიზონტალური მონტაჟის დროს მილს უნდა ჰქონდეს მცირე აღმავალი დახრილობა (დაახლოებით 10°), რათა ადვილად მოხდეს ნამუშევარი ჰაერის მოცილება სივრციდან.

3.6 გამოყენება კვამლსარიანის შეერთების გარეშე

- 

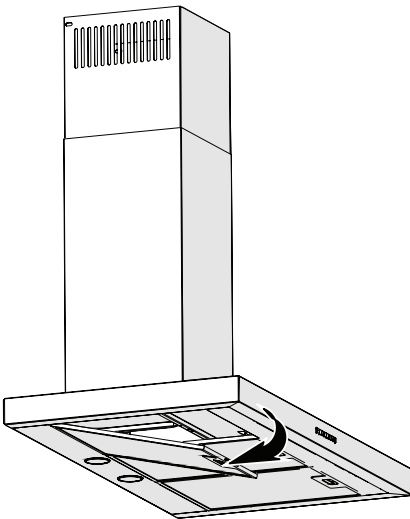
ნახშირის ფილტრი ფილტრავს ჰაერს და ხდება ჰაერის რეცირკულირება სივრცეში. ნახშირის ფილტრი გამოიყენება მაშინ, როდესაც კვამლსარიანის გამოყენება სახლში შეუძლებელია.
- კვამლსარიანის გარეშე გამოყენებისას მოხსენით საფრები კვამლსარიანის ადაპტერის შიგნით.
- მოხსენით ზეთის ფილტრი. ნახშირის ფილტრის დასამონტაჟებლად მოათავსეთ ფილტრი ჩანართებში პლასტმასის დეტალზე მისი ცენტრირებით ვენტილატორის კორპუსის ორივე მხარეს. დამაგრეთ მარჯვნივ ან მარცხნივ მისი დატრიალებით.
- შეცვალეთ ალუმინის ზეთის ფილტრი.



პროდუქტის გასუფთავებამდე და მასზე ტექნიკური მომსახურების სამუშაოების შესრულებამდე გათიშეთ იგი ელექტროქსელიდან ან გამორთეთ მთავარი გადაამრთველის გამოყენებით.

4.1 ალუმინის ზეთის ფილტრების გასუფთავება

ალუმინის ზეთის ფილტრი გამოიყენება ჰაერში არსებული ზეთის ნაწილაკების შესაკავებლად. განმეორებითი გასუფთავების შემდეგ ალუმინის ფილტრის ფერი შეიძლება შეიცვალოს. ეს ნორმალურია და არ საჭიროებს ფილტრის შეცვლას.



- წაანაცვლეთ წინ ალუმინის ზეთის ფილტრის ფიქსატორი.
- შემდეგ ოდნავ დააწეეთ და ამოიღეთ. ალტერნატიულად,

შეგიძლიათ მოღუნოთ ფილტრი. გარეცხეთ და გამორეცხეთ ალუმინის ზეთის ფილტრები თხევადი სარეცხი საშუალებით და ისევ ჩასვით ალუმინის ზეთის ფილტრები თავის ბუდეებში ზემოაღნიშნული ნაბიჯების საწინააღმდეგო თანმიმდევრობით შესრულებით. მოცემული ალუმინის ზეთის ფილტრები გამოიყენება ჰაერში არსებული ზეთის ნაწილაკების შესაკავებლად.

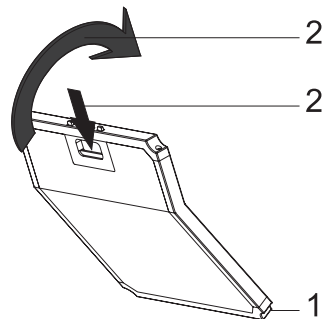


ასევე შეგიძლიათ გარეცხოთ ალუმინის ზეთის ფილტრები სარეცხ მანქანაში.



გაფრთხილება: ჩვეულებრივ პირობებში გამოყენებისას გაასუფთავეთ ალუმინის ზეთის ფილტრი თვეში ერთხელ.

4.2 ნახშირის ფილტრების შეცვლა



- თქვენ მიერ შეძენილი მოწყობილობა გამოსადეგია ნახშირის ფილტრებთან ერთად გამოსაყენებლად.
- მოხსენით ალუმინის ზეთის ფილტრები.


- მოათავსეთ ნახშირის ფილტრის ქვედა ნაწილი ძრავის კამერაში.
- დააკვირეთ ნახშირის ფილტრის ჩანართზე, წინ წანაცვლეთ და დარწმუნდით, რომ ნახშირის ფილტრის ჩანართები გააქტიურებული და დაფიქსირებულია.
- დააყენეთ ალუმინის ზეთის ფილტრები.

გაფრთხილება


- ნახშირის ფილტრი არასოდეს არ უნდა გარეცხოთ.
- შეცვალეთ ნახშირის ფილტრები 3 თვეში ერთხელ.
- ნახშირის ფილტრი შეგიძლიათ შეიძინოთ ავტორიზებულ სერვისცენტრებში.



5 მოწყობილობის მონტაჟი



გ ა ფ რ თ ხ ი ლ ე ბ ა :
მონტაჟის დაწყებამდე წაიკითხეთ ინფორმაცია უსაფრთხოების შესახებ მომხმარებლის სახელმძღვანელოში.

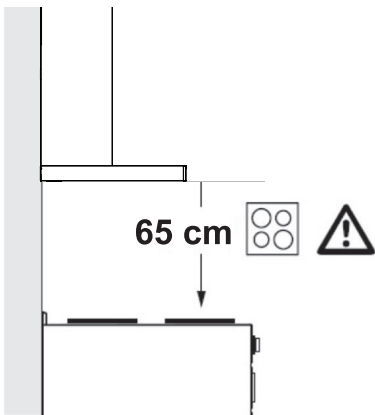


გაფრთხილება: ამ ინსტრუქციების შესაბამისად ხრახნებისა და სტაბილიზატორების გამოყენების მონტაჟის შეუსრულებლობამ შეიძლება გამოიწვიოს ელექტრული შოკი.

გამწოვის დამონტაჟებისთვის მიმართეთ უახლოეს ავტორიზებულ სერვისცენტრს.

გამწოვისთვის ადგილის და ელექტრული შეერთებების მომზადება მომხმარებლის პასუხისმგებლობაა.

5.1 მოწყობილობის განლაგება

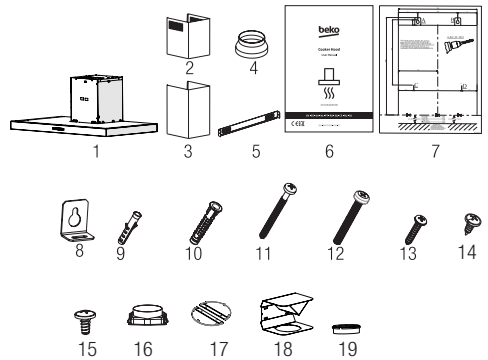


• დამონტაჟებამდე აუცილებელია გაითვალისწინოთ საჭირო მანძილი ქურასა და გამწოვს შორის. მანძილი

უნდა იყოს 65 სმ.

- მანძილი უნდა გაიზომოს გაზეპურის ცხაურის ზედაპირიდან და
- ელექტროქურის მინის ზედაპირიდან.

5.2 სამონტაჟო აქსესუარები



1. პროდუქტი
2. შიდა კვამლსარინი
3. გარე კვამლსარინი
4. Ø150/120 მმ კვამლსარინის ადაპტერი
5. კვამლსარინის შემაერთებელი პანელი
6. მომხმარებლის სახელმძღვანელო
7. ანაწყობის ტიპი
8. 6x შესაკიდი პანელი
9. 6x Ø6 მმ პლასტმასის დიუბელი
10. 3x Ø10 მმ პლასტმასის დიუბელი
11. 3x 5.5x60 კედლის სამაგრის ხრახნი
12. 2x M5x35 შესაკიდი პანელის შეერთების ხრახნი
13. 6x 3.9x22 კვამლსარინის შემაერთებელი პანელის ხრახნი
14. 2x 3.5x9.5 კვამლსადენის მართებელი ზესადების ხრახნი
15. 2x 3,5X9,5 უსინათლო ხრახნი

5 მოწყობილობის მონტაჟი

- 16. პლასტიკური ადაპტერი (მოედანზე მრგვალი)
- 17. დაუბრუნებელი სარქველი
- 18. საჭაერო შეშფოთება
- 19. პლასტმასის ადაპტერი (ჭაერის დივერტერი)


ინფორმაცია გამწოვის მონტაჟისთვის შესაფერისი ადგილის შესახებ მოცემულია ქვემოთ.

5.3 კედელზე დამონტაჟება

კედელი უნდა იყოს ბრტყელი, სწორი და უნდა ჰქონდეს საკმარისი ზიდვის უნარი.

გაბურღული ნახვრეტების სიღრმე უნდა შეესაბამებოდეს ჭანჭიკების სიგრძეს.

კომპლექტში არსებული ჭანჭიკები და დიუბელები გამოსადეგია აგურის კედლებისთვის. სხვა სამშენებლო მასალის შემთხვევაში (მაგ., თაბაშირ-მუყაო, ფილა, ფორიზებული ბეტონი) საჭიროა შესაბამისი დამაფიქსირებელი დიუბელებისა და ქანჩების გამოყენება.



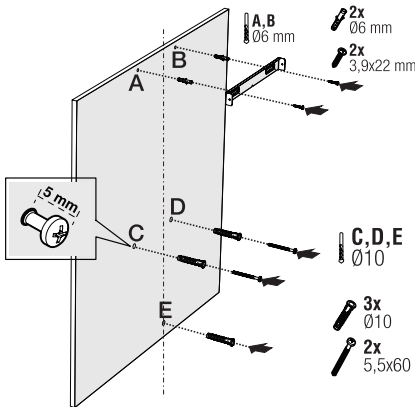
გ ა ფ რ თ ხ ი ლ ე ბ ა :
კედლის გაბურღვამდე დარწმუნდით, რომ გაბურღვის ადგილთან ახლოს არ არის განლაგებული ელექტრო, გაზის ან წყლის მილები.

დახაზეთ შუა ხაზი ჭერიდან გამწოვის ქვედა კიდის პერპენდიკულარულად.

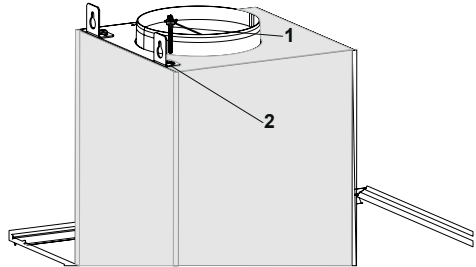
დააყენეთ ანაწყობი კედელზე. A და B წერტილებისთვის გაითვალისწინეთ გამწოვის მაქსიმალური ზომები და მონიშნული წერტილები A და B გაბურღეთ $\varnothing 6$ მმ ბურღით, შემდეგ ჩასვით $\varnothing 6$ მმ პლასტმასის დიუბელები. კედელზე დაამაგრეთ კვამლსარინის შემაერთებელი პანელი 2 ცალი 3.9x22 ხრახნით (ნახატი 2).

გამწოვისკორპუსისდასამონტაჟებლად გაბურღეთ წერტილები C, D, E, რომლებიც მითითებულია მონტაჟის შაბლონში, $\varnothing 10$ მმ ბურღით და ჩასვით $\varnothing 10$ მმ დიუბელები ამ წერტილებში (ნახატი 2).

დააყენეთ 2 ცალი 5.5x60 სამონტაჟო ხრახნი C და D წერტილებში თავსა და კედელს შორის 5 მმ დამორებით (ნახატი 2).



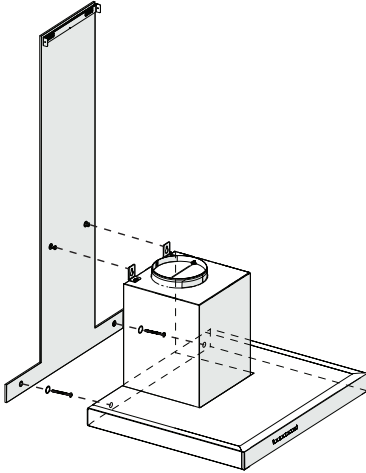
(ნახატი 1)



(ნახატი 2)

5 მოწყობილობის მონტაჟი

დააყენეთ ორი ცალი შესაკიდი პანელი გამწოვის კორპუსზე M5x35 სამონტაჟო ხრახნებით (ნახატი 2).



(ნახატი 3)

დაიჭირეთ გამწოვი კორპუსით და განათავსეთ კედელზე დამონტაჟებულ სამონტაჟო ხრახნებზე, შემდეგ მოუჭირეთ ხრახნებს (ნახატი 3).

დაამაგრეთ გამწოვი კედელზე 5.5x60 ხრახნით მოწყობილობის შიდა მხარეს არსებული სამონტაჟო ნახვრეტის მეშვეობით (ნახატი 3).

5.4 შეერთება კვამლსარინთან

თუ აპირებთ $\varnothing 120/150$ მმ პლასტმასის კვამლსარინის ადაპტერის გამოყენებას, შეაერთეთ მილის ერთი ბოლო ამ ადაპტერთან; თუ არ აპირებთ მის გამოყენებას, შეაერთეთ პირდაპირ პროდუქტის გამომყვანთან. მილის მეორე ბოლო შეაერთეთ კვამლსარინთან. შეამოწმეთ, რომ ორივე შეერთება კარგად იყოს დამაგრებული, რათა არ მოდუნდეს

მოწყობილობის სრული სიმძლავრით მუშაობისას. შეამოწმეთ, რომ საფრები კვამლსარინის შიგნით მუშაობს, როცა ისინი დამაგრებულია

ფიქსატორებით.

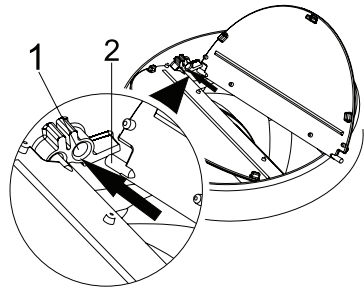
შეაერთეთ კვამლსარინის შემაერთებელი მილი ადაპტერის გარეთ (ნახატი 5/a). თუ შემაერთებელი მილი დაყენებული იქნება ადაპტერის შიგნით, ჰაერის შეწოვა არ მოხდება, რადგან კვამლსარინის საფარი, რომელიც ხელს უშლის ჰაერის უკან გამოდინებას, დახურული დარჩება (ნახატი 5/b). მილის შეერთების სიგრძე და მუხლების რაოდენობა უნდა იყოს რაც შეიძლება ნაკლები.

A : კვამლსარინის გამოსაშვები მილი

B : არარევერსული საფრები

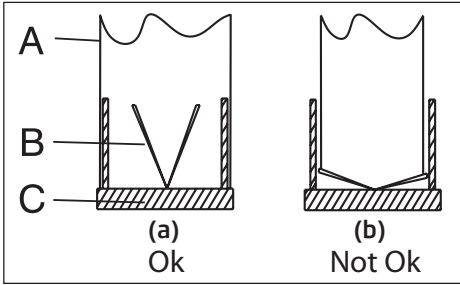
C : პლასტმასის კვამლსარინი

როცა მოწყობილობა არ მუშაობს, სარქველები დახურულია და ხელს უშლის სუნის და მტვრის შიგნით მოხვედრას.

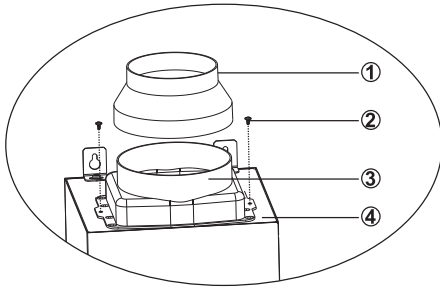


(ნახატი 4)

5 მოწყობილობის მონტაჟი



(ნახატი 5)

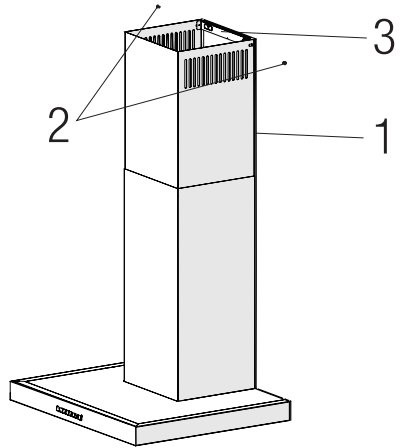


(ნახატი 6)

5.5 გამწოვის დამონტაჟება კვამლსარინზე

კვამლსარინის მონტაჟის დაწყებამდე გამართეთ ელექტრო შეერთებები. კვამლსარინის პანელები გადაადგილეთ კორპუსის გარშემო.

დამონტაჟეთ კვამლსარინის პანელი სამაგრ პანელზე, რომელიც დამაგრებულია კედელზე ზედა გარე კიდის მხარეს (ნახატი 7).



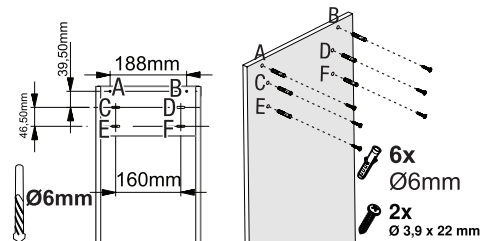
(ნახატი 7)

- 1. შიდა კვამლსარინი
- 2. 3.5x9.5 ხრახნი
- 3. კვამლსარინის პანელი

შემაერთებული

5.6 ჰაერის ამრეკლის მონტაჟი

ნახშირის ფილტრის გამოყენების შემთხვევაში, მოწყობილობის კომპლექტში შედის ჰაერის ამრეკლი, რომელიც ხელს უშლის ნახშირის ფილტრით გასუფთავებული ჰაერის გამოდინებას კვამლსარინის ადგილას არსებული ხვრელიდან. ჰაერის ამრეკლის აწყობის წესი აღწერილია ქვემოთ.



(ნახატი 8)

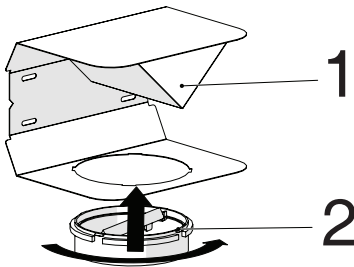
5 მოწყობილობის მონტაჟი

კვამლსარინის შემაერთებელი პანელის შუაში არის ჩანართი. ამ ჩანართის შუა წერტილი განლაგეთ კედლის პერპენდიკულარულად გავლებულ ხაზზე. ჰორიზონტალურად გაასწორეთ და კალმით მონიშნეთ ნახვრეტების ადგილები, სადაც დამონტაჟდება შემაერთებელი პანელი (ნახატი 8/A, B).

გაბურღეთ მონიშნული ადგილები ორი 06 მმ ბურღით და ჩასვით 2 06 მმ პლასტმასის დიუბელი გაბურღულ ნახვრეტებში (ნახატი 8/A, B).

კედელზე დაამაგრეთ კვამლსარინის შემაერთებელი პანელი 3.9x22 ხრახნებით (ნახატი 8/A, B).

ჰაერის ამრეკლის დასამონტაჟებლად გაბურღეთ წერტილები C, D, E, F 06 მმ ბურღით და ჩასვით 06 მმ პლასტმასის დიუბელები (ნახატი 8).

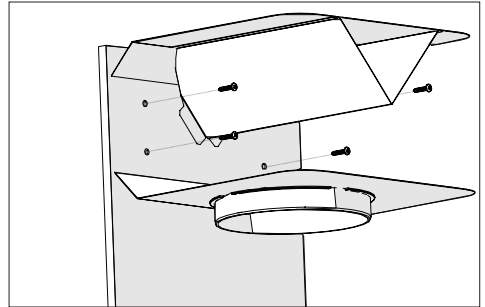


(ნახატი 9)

1. ჰაერის ამრეკლი

2. პლასტმასის კვამლსარინი

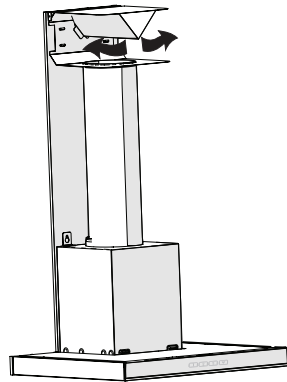
მიამაგრეთ კომპლექტში შემავალი პლასტმასის კვამლსარინის ადაპტერი ჰაერის ამრეკლის მიმართულებით. დააფიქსირეთ კვამლსარინის ადაპტერი მისი დატრიალებით ისრის მიმართულებით (ნახატი 9).



(ნახატი 10)

დააყენეთ ჰაერის ამრეკლის ბლოკი 3.9 x 22 ხრახნებით მომზადებულ წერტილებში C, D, E, F (ნახატი 8).

დააყენეთ გამწოვის კორპუსი (ნახატი 1).



(ნახატი 11)

1. ჰაერის გამომშვები ალუმინის მილი დააყენეთ ჰაერის გამომშვები მილი (ნახატი 11).



იმის გამო, რომ ალუმინის მილის მოღუნვა გამოიწვევს ჰაერის შეწოვის სიმძლავრის შემცირებას, მაქსიმალურად ეცადეთ არ მოღუნოთ მილი.

დამონტაჟეთ გამწოვის კვამლსარინის პანელები (ნახატი 7).

პრობლემების აღმოფხვრა	ძირითადი მიზეზი	დახმარება
მოწყობილობა არ მუშაობს.	შეამოწმეთ მცველები.	შესაძლოა, მცველი გადაიწვა, შეამოწმეთ და გამოცვალეთ ის.
მოწყობილობა არ მუშაობს.	შეამოწმეთ ელექტრო შეერთება.	ელექტროქსელის ძაბვა უნდა იყოს 220-240 ვ.
მოწყობილობა არ მუშაობს.	შეამოწმეთ ელექტრო შეერთება.	შეამოწმეთ, მუშაობს თუ არა სხვა მოწყობილობები სამზარეულოში.
განათება მუშაობს.	არ	ელექტროქსელის ძაბვა უნდა იყოს 220-240 ვ.
განათება მუშაობს.	არ	შეამოწმეთ სანათის გადამრთველი.
განათება მუშაობს.	არ	შეამოწმეთ სანათები.
მოწყობილობის ჰაერის შემწოვი არასაკმარისად მუშაობს.	შეამოწმეთ ალუმინის ფილტრი.	ჩვეულებრივ პირობებში ალუმინის ზეთის ფილტრი უნდა გაასუფთავოთ მინიმუმ თვეში ერთხელ.
მოწყობილობის ჰაერის შემწოვი არასაკმარისად მუშაობს.	შეამოწმეთ ჰაერის გამომშვები კვამლსარი.	ჰაერის გამომშვები კვამლსარი უნდა იყოს პოზიციაში „ჩართული“.
მოწყობილობის ჰაერის შემწოვი არასაკმარისად მუშაობს.	შეამოწმეთ ნახშირის ფილტრი.	ჩვეულებრივ პირობებში მოწყობილობის ნახშირის ფილტრები უნდა შეცვალოთ 3 თვეში ერთხელ.

Lees eerst deze gebruikershandleiding!

Zeer gewaardeerde klant,

Bedankt voor uw voorkeur voor dit Beko-toestel. Wij hopen dat u de beste resultaten haalt uit uw toestel dat met hoge kwaliteit en de modernste technologie is geproduceerd. Lees daarom deze gehele gebruikershandleiding en alle andere bijgeleverde documenten zorgvuldig door voordat u het apparaat gaat gebruiken en bewaar deze ter referentie in de toekomst. Als u het product aan iemand anders geeft, overhandig dan ook de gebruikershandleiding. Volg de instructies op door op alle informatie en waarschuwingen te letten in de gebruikershandleiding.

Vergeet niet dat deze gebruikershandleiding ook van toepassing kan zijn op andere modellen. Verschillen tussen de modellen worden expliciet beschreven in de handleiding.

Betekenis van de symbolen

De volgende symbolen worden gebruikt in de verschillende delen van deze handleiding:



Belangrijke informatie en nuttige tips over het gebruik.



WAARSCHUWING: Waarschuwingen voor levensgevaarlijke situaties en schade aan eigendommen.



WAARSCHUWING: Waarschuwing voor brandgevaar.



WAARSCHUWING: Gevaar voor elektrische schok.



**GERECYCLEERD &
RECYCLEERBAAR
PAPIER**

Dit apparaat is in een milieuvriendelijke, moderne faciliteit geproduceerd zonder het milieu op welke wijze dan ook te schaden.

1 Belangrijke veiligheids- en milieu-instructies

1.1 Algemene veiligheid

Belangrijke veiligheidsinstructies. Lees zorgvuldig en bewaar ter referentie in de toekomst. Dit deel bevat veiligheidsinstructies die u beschermen tegen het risico op brand, elektrische schok, blootstelling aan lekkende magnetronstralen, persoonlijk letsel of materiële schade. Het niet opvolgen van deze instructies maakt elke garantie ongeldig.

- Beko-producten voldoen aan de van toepassing zijnde veiligheidsnormen; daarom moet in het geval van beschadiging aan het apparaat of het stroomsnoer dit worden gerepareerd of vervangen door de dealer, het servicecentrum of een specialist en erkende service om elk gevaar te vermijden. Verkeerd of niet-gekwalificeerd reparatiewerk kan gevaarlijk zijn en een risico vormen voor de gebruiker.
- Dit apparaat is bedoeld voor huishoudelijk gebruik en vergelijkbare toepassingen zoals:
 - personeelskeukens in winkels, kantoren en andere werkomgevingen;
 - boerderijen;
 - bij klanten in hotels en andere types van overnachtingsomgevingen;
 - omgevingen van het type bed-and-breakfast.
- Gebruik dit apparaat uitsluitend voor het beoogde doel zoals beschreven in deze handleiding.
- De producent kan niet aansprakelijk worden gehouden voor schade die is ontstaan door ongeschikte installaties of onjuist gebruik van het product.
- Dit apparaat kan worden gebruikt door kinderen vanaf 8 jaar en personen met verminderde fysieke, zintuiglijke of mentale vermogens, of met een gebrek aan ervaring en kennis, als deze onder toezicht staan of instructies hebben gekregen betreffende het veilige gebruik van het apparaat en op de hoogte zijn van de betrokken gevaren.

1 Belangrijke veiligheids- en milieu-instructies

- Laat kinderen niet met het apparaat spelen. Reiniging en gebruikersonderhoud dienen niet zonder toezicht door kinderen uitgevoerd te worden.
 - De minimale afstand tussen het ondersteunende oppervlak voor het kookgerei op de kookplaat en het laagste gedeelte van uw product moet minstens 65 cm zijn.
 - Als de installatie-instructies voor het gasfornuis een grotere afstand aangeeft, dient hier rekening mee te worden gehouden.
 - Zorg ervoor dat uw netstroom overeenkomt met de informatie die staat op het typeplaatje van het apparaat.
 - Gebruik het apparaat nooit als de stroomkabel of het apparaat zelf beschadigd is.
 - Vermijd schade aan de stroomkabel door knijpen, buigen of wrijven langs scherpe randen. Houd de stroomkabel uit de buurt van hete oppervlakken en open vuur.
 - Gebruik het apparaat uitsluitend met een geaard stopcontact.
- WAARSCHUWING:** Sluit het apparaat niet op het stroomnetwerk aan totdat de installatie volledig is afgerond.
- Plaats het apparaat zodanig dat de stekker altijd toegankelijk is.
 - De verlichting na langdurige werking niet aanraken. De lampen zijn heet en kunnen uw handen verbranden.
 - Volg de voorschriften op die door de deskundige autoriteiten zijn bepaald wat betreft de luchtafvoer (deze waarschuwing is niet van toepassing bij gebruik zonder rookkanaal).
 - Zet het apparaat aan nadat er een pan op de kookplaat is gezet. Anders kan de hoge warmte in sommige delen van uw product vervorming veroorzaken.
 - Zet de kookplaat uit voordat u de pan van de kookplaat haalt.
 - Laat geen hete olie achter op de kookplaat. Pannen met hete olie kunnen in brand vliegen.
 - Let op uw gordijnen en andere afdekkingen, want olie kan bij de bereiding van bijvoorbeeld patat in brand vliegen.

1 Belangrijke veiligheids- en milieu-instructies

- Vetfilters moeten minstens eens per maand worden vervangen. Koolstoffilters moeten minstens eens per 3 maanden worden vervangen.
 - Het product moet worden gereinigd in overeenstemming met de gebruikershandleiding. Als bij reiniging de gebruikershandleiding niet wordt opgevolgd, kan er brandgevaar ontstaan.
 - Gebruik in plaats van het huidige filter geen filtermaterialen die niet vuurbestendig zijn.
 - Gebruik alleen de originele onderdelen of onderdelen aanbevolen door de fabrikant.
 - Gebruik het product niet zonder filter en verwijder de filters niet als het product in werking is.
 - In het geval er vlammen ontstaan, schakelt u uw apparaat en kooktoestellen uit.
 - Bedek de vlammen als deze ontstaan en blus ze nooit met water.
 - Trek de stekker van het apparaat uit het stopcontact vóór elke reiniging en wanneer het apparaat niet in gebruik is.
 - De negatieve druk in de ruimte mag niet hoger zijn dan 4 Pa (4 x 10 bar) als de afzuigkap voor de elektrische kookplaat en apparaten op een andere energiebron werken, maar de stroom tegelijkertijd in werking is.
 - In de ruimte waar het apparaat wordt gebruikt, moeten de uitlaten van apparaten die op olie of gas werken, zoals een kamerverwarming, volledig worden geïsoleerd of het apparaat moet van een hermetisch afgesloten type zijn.
 - Gebruik om het rookkanaal aan te sluiten pijpen met een diameter van 120 of 150 mm. De pijp aansluiting moet zo kort mogelijk zijn en zo min mogelijk el-lebogen hebben.
 - Verstikkingsgevaar! Houd alle verpakkingsmaterialen uit de buurt van kinderen.
- LET OP:** Toegankelijke delen kunnen indien gebruikt met kookapparaten heet worden.
- De afvoer van het product mag niet worden aangesloten op luchtkanalen die een ander soort rook bevatten.

1 Belangrijke veiligheids- en milieu-instructies

- Er kan onvoldoende ventilatie in de ruimte zijn als de afzuigkap voor de elektrische kookplaat tegelijk wordt gebruikt met de toestellen die op gas of andere brandstoffen werken (dit is mogelijk niet van toepassing op apparaten die de lucht uitsluitend terug in de ruimte brengen).
- Op het product geplaatste voorwerpen kunnen vallen. Plaats geen voorwerpen op het product.
- Flambeer niet onder uw product.

WAARSCHUWING: Verwijder de beschermende folie voordat u de afzuigkap installeert.

- Zorg tijdens de werking dat er zich onder de afzuigkap nooit hoge vlammen bevinden.
- Frituurpannen moeten tijdens gebruik voortdurend onder toezicht staan: oververhitte olie kan in brand vliegen.

1.2 Naleving van de WEEE-norm en verwerking van afvalproducten:

Dit product voldoet aan de WEEE-norm van de EU (2012/19/EU). Dit product heeft een classificatiesymbool voor verwerking van elektrische en elektronische apparatuur (WEEE).



Dit symbool geeft aan dat dit product niet met ander huishoudelijk afval mag worden weggegooid aan het einde van zijn levensduur. Het gebruikte apparaat moet worden geretourneerd naar het officiële inzamelpunt voor recycling van elektrische en elektronische apparaten. Om deze inzamelpunten te vinden kunt u contact opnemen met uw lokale autoriteiten of detailhandelaar waar het product werd verkocht. Ieder huishouden voert een belangrijke rol uit in terugwinnen en recycling van oude apparatuur. Een juiste afvalbehandeling levert een bijdrage ter voorkoming van de negatieve gevolgen voor het milieu en de volksgezondheid.

1.3 Naleving van de RoHS-richtlijn

Het door u aangekochte product voldoet aan de EU RoHS-norm (2011/65/EU). Het bevat geen schadelijke en verboden materialen die in de norm zijn vermeld.

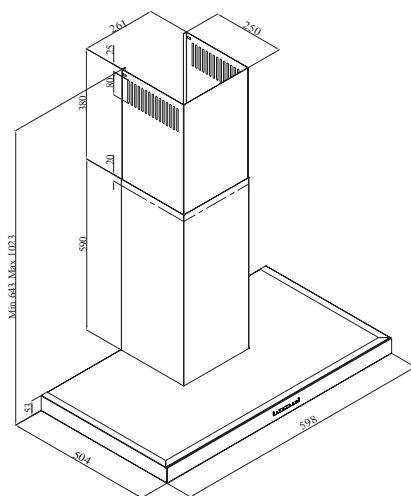
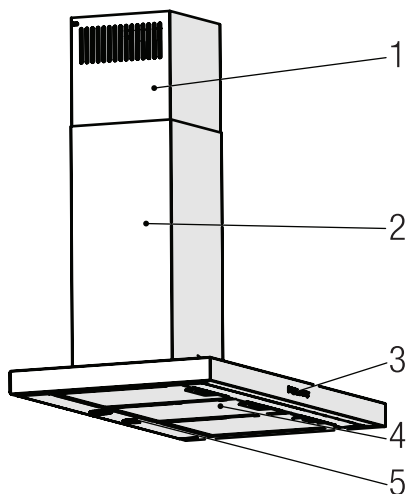
1.4 Verpakkingsinformatie



Verpakkingsmaterialen van het product zijn gemaakt uit recycleerbare materialen in overeenstemming met onze nationale milieuverordeningen. Gooi de verpakkingsmaterialen niet samen met het huishoudelijk afval of ander afval weg. Breng ze naar de inzamelpunten voor verpakkingsmaterialen aangewezen door de lokale instanties.

2 Algemeen voorkomen

2.1 Overzicht



1. Binnenkanaal
2. Buitenste rookkanaal
3. Bedieningspaneel
4. Aluminium oliefilter.
5. Afzuigkap verlichting

2.2 Technische gegevens

Model	BHCB 61632 XH
Toevoerspanning	220-240V ~ 50 Hz
Lampvermogen	2 x 3 W
Motorvermogen	210 W
Debiet – 3. Niveau	612 m ³ /h
Isolatieklasse van de motor	Klasse F
Isolatieklasse	Klasse I

3 Werking van het apparaat

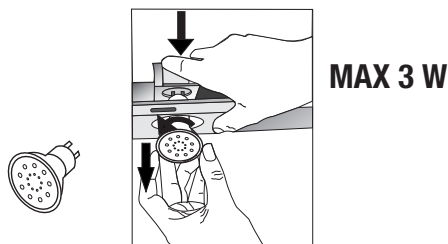
3.1 Controle van het toestel

Sleutel	FUNCTIE
A : 1. Fase knop	Bedient het apparaat op 1e snelheid. Wanneer u nogmaals op deze toets drukt om het apparaat uit te schakelen, wordt de snelheid van het scherm uitgeschakeld.
B : 2. Fase knop	Bedient het apparaat op 2e snelheid. Wanneer u nogmaals op deze toets drukt om het apparaat uit te schakelen, wordt de snelheid van het scherm uitgeschakeld.
C : 3e fase knop	Bedient het apparaat op 3e snelheid. Wanneer u nogmaals op deze toets drukt om het apparaat uit te schakelen, wordt de snelheid van het scherm uitgeschakeld.
D : Lichten aan/uit	U kunt het kookgedeelte verlichten door op deze toets te drukken. Druk nogmaals op de knop om de lamp uit te schakelen.

3.2 Energie-efficiënte werking in termen van besparing Gebruik


- Wanneer u uw apparaat gebruikt, moet u de snelheidsinstellingen aanpassen aan de intensiteit van de damp en de geur, om energie te besparen.
- Gebruik lage snelheden (1-2) onder normale omstandigheden, en hoge snelheden (3) voor intense geur en damp.
- De lampen op de afzuigkap zijn geplaatst voor het verlichten van de kookzone.
- Het gebruik ervan voor milieuverlichting moet leiden tot onnodige energie-uitgaven en onvoldoende verlichting.

3.4 Vervanging van de lamp



Maak de elektrische aansluitingen van het apparaat. Uw toestel maakt gebruik van een 3W-spots LED-lamp. Voor het vervangen van de lampen duwt u de houder van achteren naar beneden, draait u deze tegen de klok in en haalt u deze naar beneden. Pas de bovenstaande handeling in omgekeerde volgorde toe om nieuwe lampen te installeren.

3 Werking van het apparaat

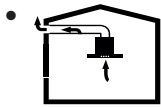
Lamp	
Lampstroom	3 W
Houder / Stopcontact	GZ 10
Lampspanning	220 - 240 V
Afmeting	53 x 50 mm
ILCOS Code	DR / F 3 - 2 2 0 - 2 4 0 - GZ10-50-53
Lichtstroom	250 lm
Gecorreleerde kleurtemperatuur	3000 K

Dit product bevat een lichtbron van energie efficiëntieklasse "F".

het te centreren op het kunststofstuk aan beide zijden van het ventilatorhuis. draai het vast door naar rechts of naar links te draaien.

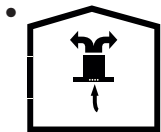
- Vervang het aluminium oliefilter.

3.5 Bediening met rookgasafvoer



- De damp wordt afgezogen via het rookkanaal, dat aan de aansluitkop op de kap wordt bevestigd.
- De diameter van het rookkanaal moet gelijk zijn aan de aansluitring. Bij een horizontale opstelling moet de buis een lichte opwaartse helling hebben (ongeveer 10°), zodat de lucht gemakkelijk de ruimte kan verlaten.

3.6 Bediening met rookgasafvoer



- De lucht wordt door het koolstoffilter gefilterd en in de ruimte gerecirculeerd. Koolstoffilter wordt gebruikt wanneer het onmogelijk is om een schoorsteen in huis te gebruiken.
- Bij gebruik zonder afvoer verwijdert u de kleppen in de rookgasadapter.
- Verwijder het oliefilter. Om het koolstoffilter te installeren, plaatst u het filter op de lipjes door

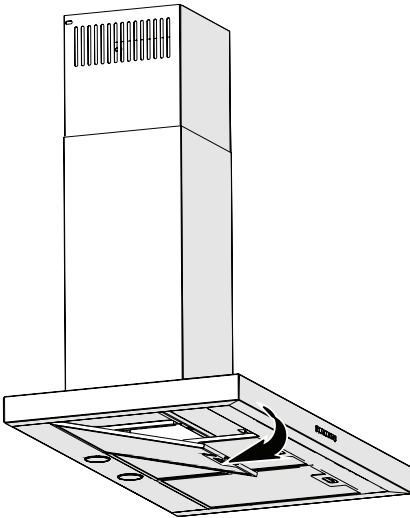
4 Reiniging en onderhoud



Trek de stekker uit het stop-contact of zet de schakelaar uit voordat u het product reinigt en onderhoudt.

4.1 Reinigen van aluminium oliefilters

Het aluminium oliefilter wordt gebruikt om de oliedeeltjes in de lucht vast te houden. Aluminiumfilters kunnen na herhaalde reiniging van kleur veranderen. Dit is normaal, en u hoeft uw filters niet te vervangen.



- Duw het aluminium oliefilterslot naar voren.
- Trek hem dan iets naar beneden en trek hem eruit. Anders kun je het filter buigen. Was en spoel aluminium olie filters met vloeibaar reinigingsmiddel en Vervang de aluminium oliefilters op hun stoelen door de bovenstaande stappen in omgekeerde volgorde uit te voeren. Deze aluminium oliefilters worden gebruikt om de oliedeeltjes in de lucht vast te houden.

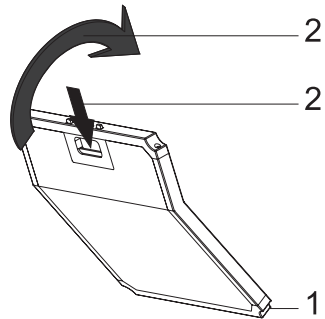


U mag ook de aluminium oliefilters in de wasmachine wassen.



OPGELET: Bij normaal gebruik dient u uw aluminium oliefilter één keer per maand te reinigen.

4.2 Vervanging van koolstoffilters



- Het apparaat dat u gekocht hebt, is geschikt voor gebruik met koolstoffilters.
- Verwijder het aluminium oliefilter.
- Plaats het onderste deel van het koolstoffilter in de motorkast.
- Druk op het lipje van het koolstoffilter en duw het naar voren, en zorg ervoor dat de lipjes van het koolstoffilter ingeschakeld en vergrendeld zijn.
- Install the aluminium oil filter.



OPGELET

- Koolstoffilter mag nooit worden gewassen.
- Vervang de koolstoffilters eens in de 3 maanden.
- Het koolstoffilter is verkrijgbaar bij de geautoriseerde diensten.

5 Installatie van het toestel



WAARSCHUWING: Lees de veiligheidsinformatie in de gebruikershandleiding voordat u met de installatie begint.

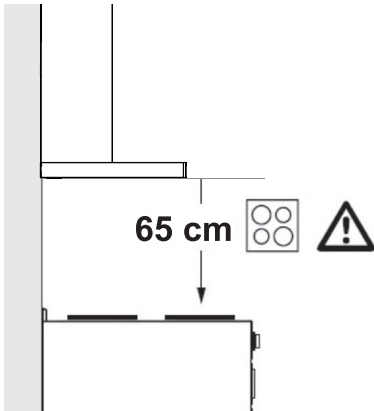


WAARSCHUWING: Het niet installeren met schroeven en stabilisatoren in overeenstemming met deze instructies kan leiden tot elektrische schokken.

Neem voor de installatie van de kap contact op met de dichtstbijzijnde geautoriseerde service.

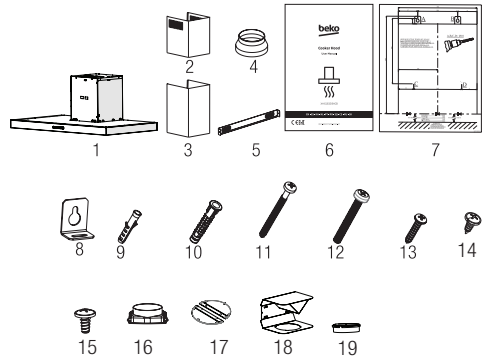
Het is de verantwoordelijkheid van de klant om de locatie en de elektrische installatie van de kap voor te bereiden.

5.1 Positie van het toestel



- De afstand tussen het kooktoestel en de afzuigkap moet vóór de montage in acht worden genomen. Deze afstand moet 65 cm bedragen.
- Bij gasfornuizen moet de afstand tot het oppervlak van het rooster worden gemeten,
- van het oppervlak van glas voor elektrische fornuizen.

5.2 Installatie toebehoren



1. Product
2. Binnenkanaal
3. Buitenste rookkanaal
4. Ø150/120mm Rookgasadapter
5. Schoorsteenaansluiting Plaatje
6. Gebruikershandleiding
7. Assemblage patroon
8. 6x klemplaat
9. 6x Ø6mm Plastic deugel
10. 3x Ø10mm Plastic deugel
11. 3x 5.5x60 Wandmontageschroef
12. 2x M5x35 Hanging Plate Connection Screw
13. 6x 3.9x22 Muurbevestigingsschroef
14. 2 x 3,5 x 9,5 schoorsteen verbingsplaat schroef
15. 2 x 3,5 x 9,5 blinde schroef
16. Plastic adapter (vierkant naar rond)
17. Terugslagklep
18. Luchtdeflector
19. Plastic adapter (lucht richtklep)

De informatie die nodig is om de locatie geschikt te maken voor de installatie van de kap wordt hieronder gegeven.

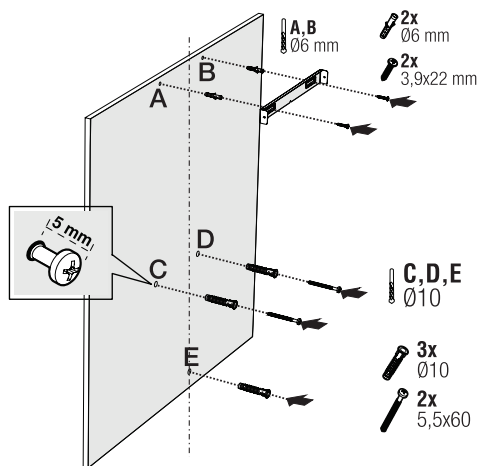
5 Installatie van het toestel

5.3 Wandmontage

De wand moet vlak en recht zijn en voldoende draagkracht hebben.

De diepte van de boorgaten moet overeenkomen met de lengte van de bouten.

De meegeleverde bouten en deuvels zijn geschikt voor gemetselde muren. Voor ander bouw materiaal (bv. gipsplaat, plaat, poreus beton) moeten geschikte bevestigingsdonsels en moeren worden gebruikt.



(Afbeelding 1)



OPGELET: Controleer voor het boren of er geen stroom-, gas- of waterleidingen in de nabijheid van de boorlocaties liggen.

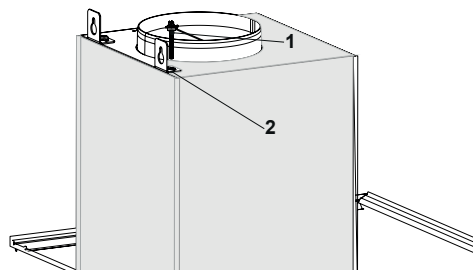
Trek een middellijn vanaf het plafond loodrecht op de onderrand van de kap.

Bevestig het montageschema aan de muur. Neem voor de punten A en B de maximale afmetingen van de kap als referentie, en de boorpunten A en B heeft u gemarkeerd met een Ø6mm boor, en tik op Ø6mm plastic wandpluggen. Monteer de rookgas aansluitplaat aan de wand met 2 stuks 3.9x22

schroeven (Afbeelding 2).

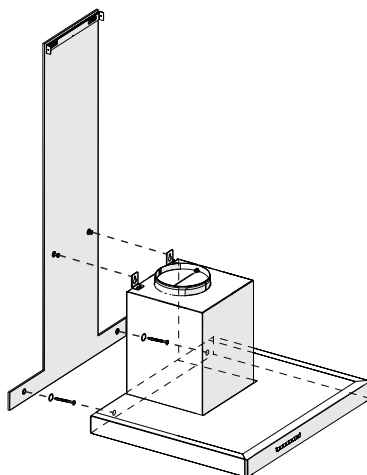
Voor de montage van de kapbehuizing worden de in het installatiesjabloon aangegeven boorpunten C,D,E met een boor Ø10mm en een kunststof deuvell Ø10mm naar deze punten getapt (Afbeelding 2).

Installeer 2 stuks 5,5x60 montageschroeven op de punten C en D met een vrije ruimte van 5 mm tussen de schroefkop en de wand. (Afbeelding 2).



((Afbeelding 2))

Installeer twee ophangplaatjes op de carrosserie van de kap met M5x35 montageschroeven (Afbeelding 2).

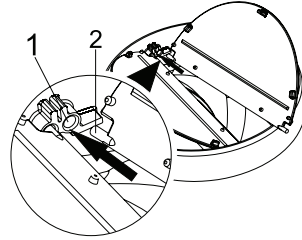


(Afbeelding 3)

5 Installatie van het toestel

Houd de afzuigkap bij de romp vast en plaats deze op de bevestigingsschroeven aan de wand en draai de schroeven vast (Afbeelding 3).

Bevestig de afzuigkap met twee 5,5x60 schroeven aan de wand door het bevestigingsgat aan de binnenzijde van het toestel (Afbeelding 3).



5.4 Aansluiten op rookkanaal

Als u de kunststof rookgasadapter Ø 120/150 mm gaat gebruiken, sluit u één uiteinde van de buis aan op deze adapter, als u deze niet gaat gebruiken, op de directe uitgang van het product. Sluit het andere uiteinde van de buis aan op uw schoorsteen. Controleer of deze twee aansluitingen stevig genoeg zijn, zodat ze er niet uitkomen als het apparaat op volle kracht draait. Controleer of de kleppen in het rookkanaal werken als ze zijn aangedraaid.

met klemmen. Sluit het rookgasaansluitkanaal buiten de adapter aan (Afbeelding 5/a). Als het aansluitkanaal in de adapter is gemonteerd, mag er geen lucht worden aangezogen, omdat de rookgasklep die de luchtafvoer verhindert, gesloten blijft (Afbeelding 5/b). De lengte van de pijpansluiting en het aantal ellebogen moet zo klein mogelijk zijn.

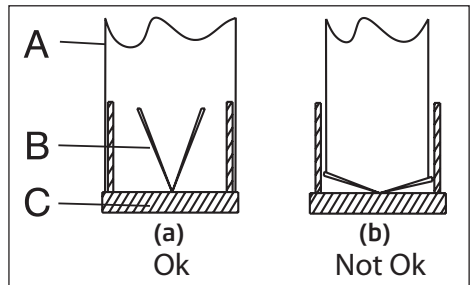
A : Rookgasafvoerpijp

B : Niet-terugkeerflappen

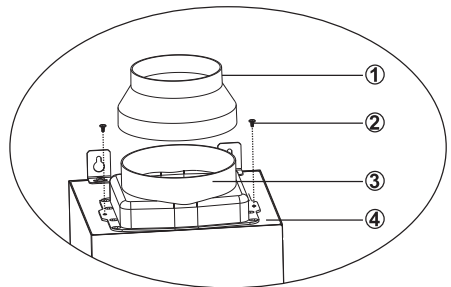
C : Kunststof rookkanaal

De ventielen zijn gesloten dan werkt het toestel niet en voorkomen dat er mogelijk geur en stof van buitenaf binnendringt.

(Afbeelding 4)



(Afbeelding 5)



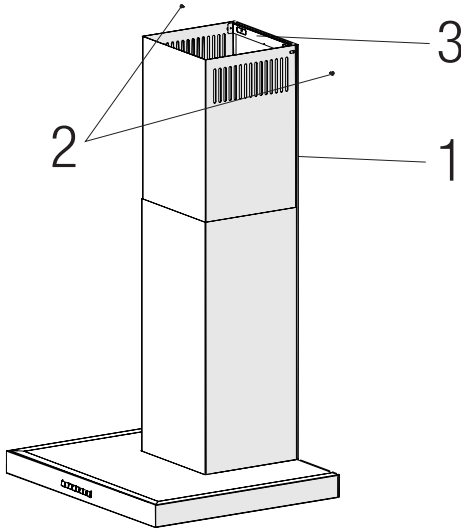
(Afbeelding 6)

5.5 Plaatsing van de kap aan de schoorsteenmantel

Maak de elektrische aansluiting van uw afzuigkap voordat u begint met de installatie van de schoorsteen. Schuif de schoorsteenplaten om het lichaam heen.

5 Installatie van het toestel

Installeer het rookkanaal op de bevestigingsplaat van het rookkanaal, die vanaf de bovenste buitenranden aan de muur is bevestigd (Afbeelding 7).

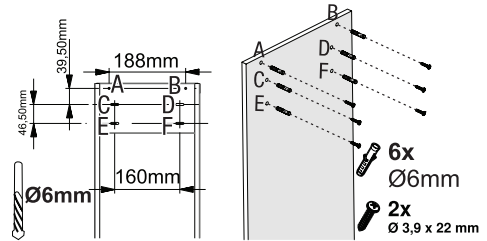


(Afbeelding 7)

1. Binnenkanaal
2. 3.5X9.5 Schroef
3. Schoorsteenaansluiting Plaatje

5.6 Installatie van het Air Baffle

Tijdens het gebruik van de koolstoffilter wordt het luchtfilter bij uw toestel geleverd met als doel de lucht die met de koolstoffilter is gereinigd, weer vrij te maken van de geperforeerde plaats op de schoorsteen. Monteer het luchtschot zoals hieronder.



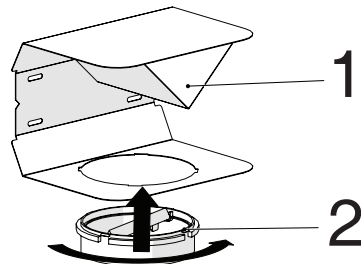
(Afbeelding 8)

Er zit een lipje in het midden van de rookgasaansluitplaat. Plaats het middelste punt van dit lipje op de lijn die loodrecht op de muur is getekend. Lijn horizontaal uit en markeer de gaten waar de aansluitplaat met een pen wordt gemonteerd (Afbeelding 8/A, B).

Boor de gemarkeerde punten met $\varnothing 6\text{mm}$ boor en steek twee $\varnothing 6\text{mm}$ plastic deuvels in de geboorde gaten (Afbeelding 8/A, B).

Bevestig de rookgasaansluitplaat aan de wand met 3,9x22 schroeven (Afbeelding 8/A, B).

Voor de montage van het luchtschot monteert u punt C, D, E, F met $\varnothing 6\text{mm}$ boormachine en $\varnothing 6\text{mm}$ kunststof deuvels (Afbeelding 8).

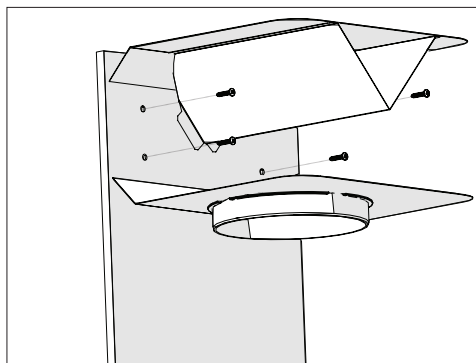


(Afbeelding 9)

1. ÛLuchtfilter
2. Kunststof rookkanaal

Bevestig de plastic rookgasadapter, die in de verpakking zit, in de richting van het luchtgordijn. Vergrendel de rookgasadapter door deze in de richting van de pijl te draaien (Afbeelding 9).

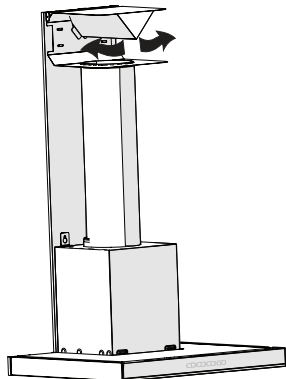
5 Installatie van het toestel



(Afbeelding 10)

Monteer de lichtgroep met 3,9 x 22 schroeven van punt C, D, E, F die u al heeft voorbereid (Afbeelding 8).

Monteer de motorkapbody (Afbeelding 1).



(Afbeelding 11)

1. Aluminium luchttuitlaatpijp

Maak de luchttuitblaaspijp montage (Afbeelding 11).



Aangezien kronkels en bochten in de aluminium buis zullen resulteren in een lager afzuigvermogen moet u kronkels en bochten zo veel mogelijk vermijden.

Installeer de schoorsteenplaten van de kap (Afbeelding 7)

6 Probleemoplossen

Probleemoplossen	Oorzaak	Help
Apparaat werkt niet:	Controleer je zekeringen.	Zekering kan worden opgeblazen, geïnspecteerd en hersteld.
Apparaat werkt niet:	Controleer de elektrische aansluiting.	De netspanning moet tussen 220 en 240 V liggen.
Apparaat werkt niet:	Controleer de elektrische aansluiting.	Controleer of een ander apparaat in uw keuken werkt.
Verlichtingslicht werkt niet.	Controleer de elektrische aansluiting.	De netspanning moet tussen 220 en 240 V liggen.
Verlichtingslicht werkt niet.	Inspecteer de lichtschakelaar.	De schakelaar van de lamp moet in de "aan"-stand staan.
Verlichtingslicht werkt niet.	Inspecteer de lampen.	De lampen van het toestel moeten branden.
De luchtinlaat van het apparaat is onvoldoende.	Inspecteer het aluminium filter.	Onder normale bedrijfsomstandigheden moet het aluminium oliefilter ten minste eenmaal per maand worden gereinigd.
De luchtinlaat van het apparaat is onvoldoende.	Controleer het luchtafvoerkanaal.	Het luchtafvoerkanaal moet in de "aan"-stand staan.
De luchtinlaat van het apparaat is onvoldoende.	Inspecteer het koolstoffilter.	De filters van de apparaten met koolstoffilters moeten onder normale omstandigheden één keer per drie maanden worden vervangen.

Leia este manual do utilizador em primeiro lugar!

Prezado Cliente,

Obrigado por preferir este aparelho da Beko. Esperamos que obtenha os melhores resultados com o nosso aparelho, que foi fabricado com tecnologia avançada e de alta qualidade. Como tal, leia com atenção todo este manual do utilizador e os outros documentos que o acompanham antes de utilizar o aparelho e guarde-o como referência para uso futuro. Se passar o aparelho para outra pessoa, dê-lhe também este manual do utilizador. Siga as instruções estando atento às informações e avisos no manual do utilizador.

Lembre-se que este manual do utilizador também pode aplicar-se a outros modelos. As diferenças entre modelos são explicitamente descritas no manual.

Significados dos símbolos

Os seguintes símbolos são usados em várias secções deste manual:



Informações importantes ou dicas úteis sobre a utilização.



AVISO: Avisos para situações perigosas relativas à segurança de pessoas e bens.



AVISO: Aviso sobre perigo de incêndio.



AVISO: Aviso de choque elétrico.



**PAPEL RECICLADO e
RECICLÁVEL**

Este aparelho foi fabricado em instalações modernas e amigas do ambiente sem causar quaisquer danos à natureza.

1 Instruções importantes sobre segurança e meio ambiente

1.1 Segurança geral

Instruções importantes sobre a segurança, leia com cuidado e mantenha para a referência futura. Esta secção contém instruções de segurança que ajudarão a protegê-lo(a) contra o risco de incêndio, exposição a energia de micro-ondas libertada acidentalmente, ferimentos pessoais ou danos à propriedade. O não cumprimento destas instruções invalida a garantia concedida.

- Os produtos Beko estão em conformidade com as normas de segurança aplicáveis; portanto, em caso de qualquer dano no aparelho ou cabo de alimentação, deve ser reparado ou substituído pelo revendedor, centro de assistência ou por uma assistência especializada e autorizada para evitar qualquer perigo. Reparações defeituosas ou não qualificadas podem ser perigosas e constituir riscos para o utilizador.
- Este aparelho destina-se à utilização doméstica e aplicações semelhantes, como por exemplo:
 - Áreas da cozinha dos funcionários em lojas, escritórios e outros ambientes de trabalho;
 - Casas de turismo rural;
 - Por clientes em hotéis, pensões e outros tipos de ambientes residenciais;
 - Alojamentos do tipo cama e pequeno-almoço.
- Use este aparelho apenas para os fins a que se destina e tal como descrito neste manual.
- O fabricante não se responsabiliza por quaisquer danos resultantes de uma instalação incorreta ou imprópria.
- Este equipamento pode ser usado por crianças com idade de 8 anos ou mais e por pessoas com capacidades físicas, sensoriais ou mentais reduzidas ou com falta de experiência e conhecimento se forem supervisionadas ou que lhes tenha sido dada instrução a respeito da utilização do equipamento de um modo seguro e que compreendam os perigos envolvidos.

1 Instruções importantes sobre segurança e meio ambiente

- As crianças não devem brincar com o aparelho. A limpeza e a manutenção do utilizador não devem ser realizadas por crianças sem serem supervisionadas.
 - A distância mínima entre a superfície de apoio para os recipientes na placa de cozinha e a parte inferior do produto deve ser de 65 cm, no mínimo.
 - Se as instruções de instalação para a placa de cozinha a gás especificarem uma distância maior, esta deve ser tida em consideração.
 - Certifique-se de que a alimentação elétrica está em conformidade com as informações fornecidas na placa de dados do aparelho.
 - Nunca utilize o aparelho se o cabo de alimentação ou o próprio aparelho estiverem danificados.
 - Evite danos ao cabo de alimentação, evitando apertá-lo, dobrá-lo ou arrastá-lo sobre extremidades pontiagudas. Mantenha o cabo de alimentação afastado de superfícies quentes e chamas vivas.
 - Apenas utilize o aparelho numa tomada com ligação à terra.
- AVISO:** Não ligue o aparelho à corrente até que a instalação esteja concluída.
- Coloque o aparelho de modo a que a ficha esteja sempre acessível.
 - Não toque nas lâmpadas caso tenham estado acesas durante muito tempo. Estas podem queimar as suas mãos, dado que ficam quentes.
 - Siga os regulamentos estabelecidos pelas autoridades competentes relativos ao ar de exaustão (este aviso não se aplica se o aparelho for utilizado sem chaminé).
 - Utilize o aparelho apenas depois de colocar um tacho, uma frigideira, etc. na placa de cozinha. Caso contrário, o calor excessivo pode deformar algumas partes do aparelho.
 - Desligue a placa de cozinha antes de retirar o tacho, a frigideira, etc.

1 Instruções importantes sobre segurança e meio ambiente

- Não deixe óleo quente na placa de cozinha. As frigideiras com óleo quente podem entrar em combustão espontânea.
- Preste atenção às cortinas e tampas, pois o óleo pode incendiar-se enquanto se cozinha, por exemplo, batatas fritas.
- O filtro de gordura deve ser substituído, no mínimo, mensalmente. O filtro de carbono deve ser substituído, no mínimo, a cada 3 meses.
- O aparelho deve ser limpo de acordo com as instruções do manual do utilizador. Pode existir perigo de incêndio caso a limpeza não seja realizada de acordo com as instruções do manual do utilizador.
- Não utilize materiais de filtração que não sejam resistentes ao fogo além do filtro atual.
- Utilize apenas as peças originais ou peças recomendadas pelo fabricante.
- Não utilize o aparelho sem o filtro e não retire os filtros durante o funcionamento do aparelho.
- No caso de deflagrar uma chama, corte a alimentação elétrica do aparelho e dos eletrodomésticos.
- No caso de deflagrar uma chama, cubra-a e nunca use água para extingui-la.
- Desligue o aparelho antes de cada limpeza e quando este não estiver a ser utilizado.
- A pressão negativa no ambiente não deverá exceder 4 Pa (4 x 10 bar) enquanto o exaustor para a placa de cozinha elétrica e os aparelhos alimentados por outro tipo de energia além da eletricidade estiverem a funcionar em simultâneo.
- No ambiente em que o aparelho está a ser utilizado, a exaustão dos dispositivos que funcionam a óleo combustível ou gás, como é o caso dos aquecedores, deverá ficar totalmente isolada. Caso contrário, o aparelho terá de ser de tipo hermético.
- Ao fazer a ligação à chaminé, utilize tubos com 120 ou 150 mm de diâmetro. A ligação do tubo

1 Instruções importantes sobre segurança e meio ambiente

deve ser o mais curta possível e ter o menor número de curvas possível.

Perigo de asfixia! Mantenha todos os materiais da embalagem afastados das crianças.

ATENÇÃO: Partes acessíveis podem ficar quentes quando utilizadas com aparelhos de cozinha.

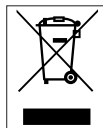
- A saída do exaustor não pode estar ligada aos canais de ar que incluem outros fumos.
- A ventilação na divisão poderá ser insuficiente quando se utilizar o exaustor para a placa de cozinha elétrica simultaneamente com os dispositivos que funcionam a gás ou outros combustíveis (isto poderá não se aplicar aos aparelhos que apenas fazem o retorno do ar para a divisão).
- Os objetos colocados em cima do aparelho podem cair. Não coloque quaisquer objetos em cima do aparelho.
- Não flambeie debaixo do aparelho.

AVISO: Remova as películas protetoras antes de instalar a Placa de cozinha.

- Nunca deixe chamas vivas altas sob o exaustor quando este estiver em funcionamento
- Mantenha as fritadeiras sob controlo durante a utilização: o óleo sobreaquecido pode inflamar-se.

1.2 Conformidade com a Diretiva REEE e eliminação do produto residual:

Este produto está em conformidade com a Diretiva REEE da UE (2012/19/UE). Este produto traz um símbolo de classificação para reciclagem de equipamentos elétricos e eletrónicos (REEE).



Este símbolo indica que o produto não deve ser eliminado juntamente com o lixo doméstico no fim da sua vida útil. Os aparelhos usados devem ser levados para um ponto de recolha oficial para a reciclagem de aparelhos elétricos e eletrónicos. Para encontrar estes sistemas de recolha, entre em contacto com as autoridades locais ou com o revendedor através do qual adquiriu o produto. Cada domicílio desempenha um papel fundamental na recolha e reciclagem de aparelhos antigos. A eliminação correta de aparelhos usados ajuda a prevenir potenciais efeitos negativos ao meio ambiente e à saúde humana.

1.3 Conformidade com a Diretiva RoHS

O produto adquirido está em conformidade com a Diretiva RoHS da UE (2011/65/UE). Não contém materiais prejudiciais ou proibidos especificados na Diretiva.

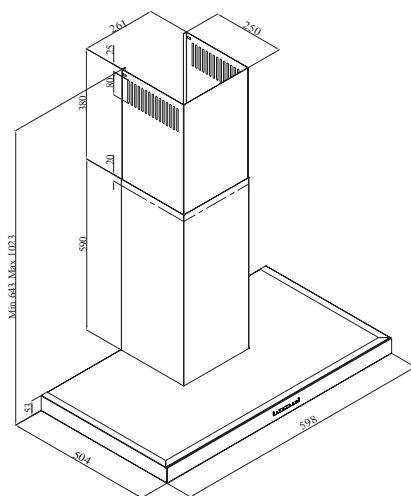
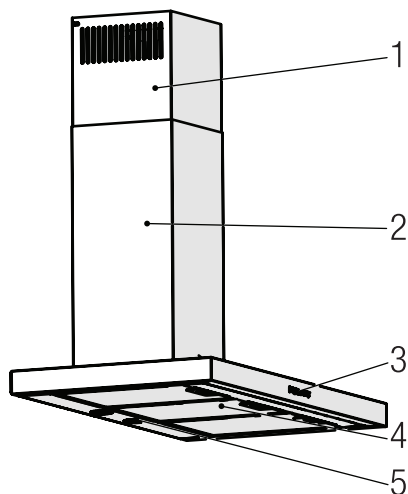
1.4 Informação de embalagem



Os materiais para embalagem do produto são fabricados a partir de materiais recicláveis, em conformidade com a nossa Regulamentação Nacional do Ambiente. Não elimine os materiais da embalagem juntamente com os resíduos domésticos ou outros tipos de resíduos. Leve-os para os pontos de recolha de materiais de embalagem designados pelas autoridades locais.

2 Aspetto geral

2.1 Generalidades







1. Conduta interior
2. Conduta exterior
3. Painel de Controlo
4. Filtro do óleo em alumínio
5. Iluminação do fogão

2.2 Dados técnicos

Modelo	BHCB 61632 XH
Tensão de alimentação	220-240V ~ 50 Hz
Potência da lâmpada	2 x 3 W
Potência do motor	210 W
Taxa de fluxo – 3. Nível	612 m ³ /h
Classe de isolamento do motor	Classe F
Classe de isolamento	Classe I

3 Funcionamento do aparelho

3.1 Controlar o aparelho

			
A	B	C	D
TECLA	FUNÇÃO		
A 1. Botão de fase	Opera o aparelho na 1ª velocidade. Quando premir este botão novamente para desligar o aparelho, a fase de velocidade do ecrã desliga.		
B : 2. Botão de fase	Opera o aparelho na 2ª velocidade. Quando premir este botão novamente para desligar o aparelho, a fase de velocidade do ecrã desliga.		
C : Botão 3ª Fase	Opera o aparelho na 3ª velocidade. Quando premir este botão novamente para desligar o aparelho, a fase de velocidade do ecrã desliga.		
D : Ligar/desligar a iluminação	Pode iluminar a zona de cozedura premindo este botão. Voltar a premir este botão para desligar a lâmpada.		

3.2 Funcionamento de eficiência energética em termos de poupança Utilização

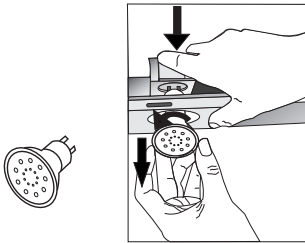
- Quando usar o seu aparelho, ajustar as definições da velocidade de acordo com a intensidade de vapor e de odor, de modo a economizar energia.
- Usar as velocidades reduzidas (1-2) em condições normais e a velocidade mais elevada (3) com vapor e odor intensos.
- As lâmpadas no exaustor são colocadas para iluminar a zona de cozedura.
- Se usar as mesmas para iluminação ambiente irá provocar consumo desnecessário de energia e iluminação insuficiente.

3.3 Instruções de funcionamento

- O seu aparelho inclui um motor com várias velocidades.
- Para um melhor desempenho, recomendamos usar velocidades reduzidas em condições normais e velocidades elevadas no caso de odores fortes e de vapor intenso.
- Pode começar a usar o seu aparelho premindo no botão de definição da velocidade pretendida. (A, B, C)
- Pode iluminar a zona de cozedura premindo a lâmpada (D).


3 Funcionamento do aparelho

3.4 Substituição da lâmpada



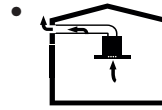
MAX 3 W

Fazer as ligações elétricas do aparelho. O seu aparelho usa lâmpada LED spot 3 W. Para substituir as lâmpadas, empurrar para baixo o suporte da lâmpada a partir de trás, rodá-lo no sentido anti-horário e tirá-lo por baixo. Realizar a operação acima no sentido inverso para instalar as novas lâmpadas.

Lâmpada	
Potência da lâmpada	3 W
Suporte / Tomada	GZ 10
Tensão da lâmpada	220 - 240 V
Dimensão	53 x 50 mm
Código ILCOS	DR/F3-220-240-GZ10-50-53
Fluxo luminoso	250 lm
Temperatura de cor relacionada	3000 K

Este produto contém uma fonte de luz com a classe de eficiência energética "F".

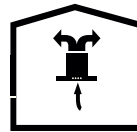
3.5 Funcionamento com ligação à conduta



O vapor é extraído através da conduta de exaustão, a qual é fixada à cabeça de ligação no exaustor.

- O diâmetro da conduta de exaustão tem de ser o mesmo que o anel de ligação. Nas definições horizontais, o tubo tem de ter uma ligeira inclinação para cima (cerca de 10°) de modo a que o ar possa sair facilmente do espaço.

3.6 Funcionamento sem ligação à conduta



O ar filtrado através do filtro de carvão e recirculado no espaço. O filtro de carvão é usado quando é impossível usar uma conduta na residência.

- Quando utilizado sem conduta de exaustão, remover as abas no interior do adaptador da conduta.
- Remover o filtro do óleo. Retirar o filtro de água. Para instalar o filtro de carvão, encaixar o filtro nas guias centrando o mesmo na peça de plástico nos dois lados da estrutura da ventoinha, apertar o mesmo rodando-o para a direita ou para a esquerda.
- Substituir o filtro do óleo.

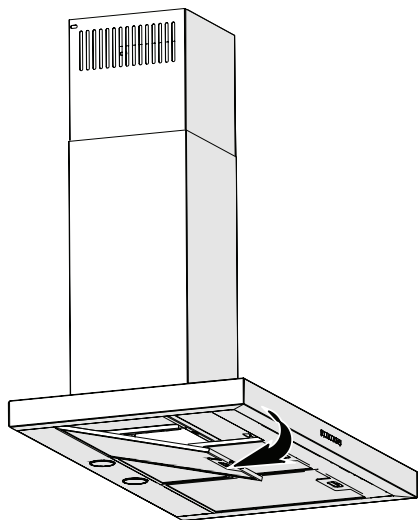
4 Limpeza e manutenção



Antes de efetuar a limpeza e a manutenção, desligar o produto ou desligar o interruptor.

4.1 Limpeza dos filtros em alumínio do óleo

Este filtro retém as partículas do óleo existentes no ar. Os filtros de alumínio podem mudar de cor depois de limpezas repetidas. Isto é normal e não tem de substituir os seus filtros.



- Empurrar para a frente o fecho do filtro do óleo em alumínio..
- Seguidamente, puxar o mesmo para baixo e remover. Caso contrário, pode dobrar o filtro. Lavar e enxaguar os filtros do óleo em alumínio com líquido com detergente e voltar a colocar os mesmos nas tomadas respetivas realizando os passos acima na ordem inversa. Estes filtros de alumínio retêm as partículas do óleo existentes no ar.

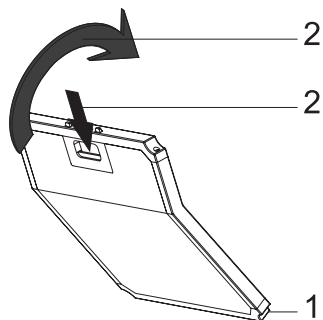


Pode igualmente lavar os filtros do óleo em alumínio na máquina de lavar.



CUIDADO: Com uma utilização normal, limpar o filtro do óleo em alumínio uma vez por mês.

4.2 Substituição dos filtros de carvão



- O aparelho que comprou é adequado para uso com filtros de carvão.
- Remover os filtros de óleo em alumínio.
- Colocar a parte inferior do filtro de carvão na cavidade do motor.
- Premir a aba do filtro de carvão e empurrá-lo para a frente, e assegurar que as abas do filtro de carvão estão engatadas e bloqueadas.
- Instalar os filtros de óleo em alumínio.



CUIDADO

- O filtro de carvão nunca deve ser lavado.
- Substituir os filtros de carvão uma vez em cada 3 meses.
- Pode obter o filtro de carvão nos revendedores autorizados.

5 Instalação do aparelho



ADVERTÊNCIA: Antes de iniciar a instalação, deve ler a informação de segurança no Manual do Utilizador.

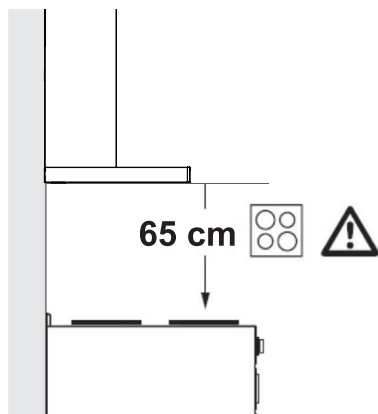


ADVERTÊNCIA: Não instalar com parafusos e estabilizadores de acordo com estas instruções pode resultar em choque elétrico.

Para instalar o exaustor, deve contactar o Serviço Autorizado mais próximo.

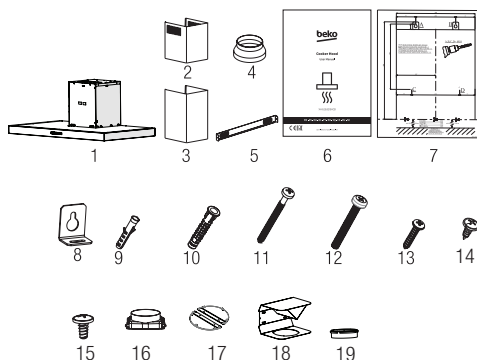
É da responsabilidade do cliente preparar a localização e a instalação elétrica do exaustor.

5.1 Posição do aparelho



- A distância entre o fogão e o exaustor tem de ser considerada antes da montagem.. Esta distância deve ser de 65 cm (Figura 6).
- A distância tem de ser medida a partir da superfície da grelha para os fogões a gás,
- a partir da superfície de vidro para os fogões elétricos.

5.2 Acessórios da instalação



1. Produto
2. Conduta interior
3. Conduta exterior
4. Adaptador da conduta Ø150/120 mm
5. Placa de ligação da conduta
6. Manual do Utilizador
7. Desenho da montagem
8. 6 x Placa de suporte
9. Bucha de plástico 6x Ø6 mm
10. Bucha de plástico 3x Ø10 mm
11. Parafuso de montagem na parede 3x 5,5x60
12. Parafuso de ligação da placa de suspensão 2x M5x35
13. Parafuso da placa de ligação da conduta 6x3,9x22
14. Parafusos da placa da chaminé 2x 3,5x9,5
15. Porcas cegas 2x 3,5x9,5
16. Adaptador de plástico (de quadrado a redondo)
17. Válvula anti-retorno
18. Defletor de ar
19. Adaptador de plástico (desviador de ar)

A informação necessária para fazer a localização adequada para a instalação do aparelho é indicada abaixo.

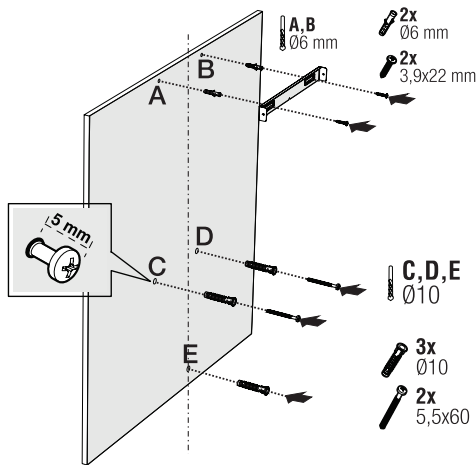
5.3 Instalação na parede

A parede tem de ser plana, direita e ter capacidade de suporte suficiente.

5 Instalação do aparelho

A profundidade dos furos de perfuração têm de estar de acordo com o comprimento dos parafusos.

Os parafusos e as buchas fornecidos são adequados para paredes em tijolo. Para outros materiais de construção (por ex. placa de reboco, placa, betão poroso), devem ser usadas as buchas e porcas de fixação adequadas



(Figura 1)



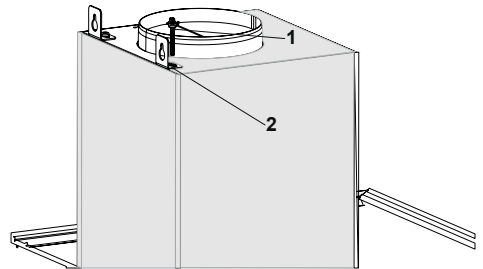
CUIDADO: Antes de perfurar, assegurar que não existem tubos de alimentação, gás ou água nas proximidades dos locais de perfuração.

Desenhar uma linha ao meio da localização a partir da perpendicular do teto até ao rebordo inferior do exaustor.

Fixar o esquema de montagem na parede. Para os pontos A e B considere as dimensões máximas do exaustor como referência e faça os orifícios A e B que marcou com uma broca de Ø6 mm e tape com buchas plásticas de Ø6 mm. Fixar a placa de ligação da conduta à parede com 2 parafusos de 3,9x22 (Figura 2)

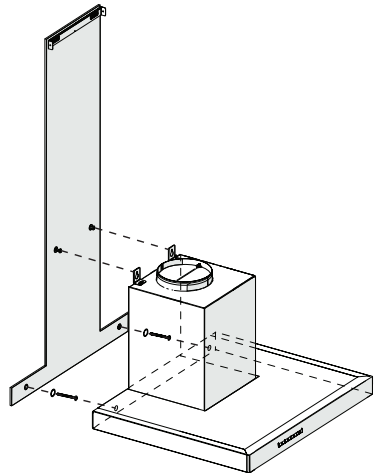
Para instalar a estrutura do exaustor, os pontos de perfuração C,D,E especificados no modelo de instalação perfurar com uma broca de Ø10mm e uma bucha plástica de Ø10mm nesses pontos (Figura 2).

Instalar 2 parafusos de suspensão da peça 5,5x60 nos pontos C e D com uma folga de 5 mm entre a cabeça do parafuso e a parede (Figura 2).



(Figura 2)

Instalar duas peças de placas de suspensão à estrutura do exaustor com parafusos de montagem M5x35 (Figura 2).



(Figura 3)

Segurar o exaustor do fogão na respetiva estrutura e colocar a mesma nos parafusos de suspensão na parede e apertar os parafusos (Figura 3).

5 Instalação do aparelho

Fixar o exaustor do fogão à parede com os parafusos de 5,5x60 através do furo de montagem no interior do aparelho (Figura 3).

5.4 Ligar a uma conduta de exaustão

Se vai usar um adaptador de conduta em plástico com \varnothing 120/150 mm, ligar uma das extremidades do tubo a este adaptador, se não o for usar, ligar o mesmo à saída direta no produto. Ligar a outra extremidade do tubo à sua conduta de exaustão. Verificar se estas duas ligações estão suficientemente fixadas de modo a que não saiam quando o exaustor está a funcionar com toda a potência. Verificar todas as abas dentro da conduta para operar quando as mesmas estão apertadas

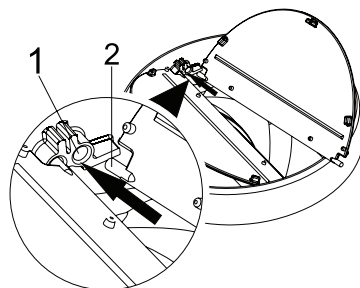
Com grampos. Ligar a conduta de ligação no exterior do adaptador (Figura 5/a) Se a conduta de ligação for encaixada dentro do adaptador, a sucção do ar não vai ocorrer dado que a aba da conduta que impede o retorno do ar mantém-se fechada. O comprimento da ligação do tubo bem como o número de cotovelos deve ser o mínimo possível.

A : Tubo de saída da conduta

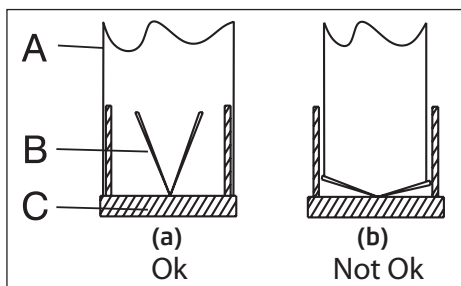
B: Abas de não retorno

C: Conduta de plástico

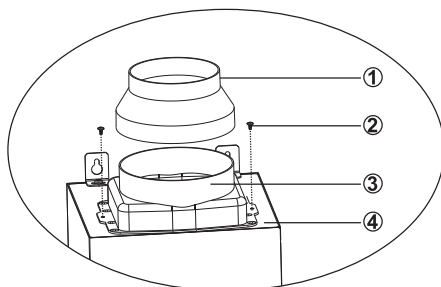
As válvulas são fechadas depois o aparelho não está a funcionar e impede a entrada de odor e poeira possivelmente existentes no exterior.



(Figura 4)



(Figura 5)



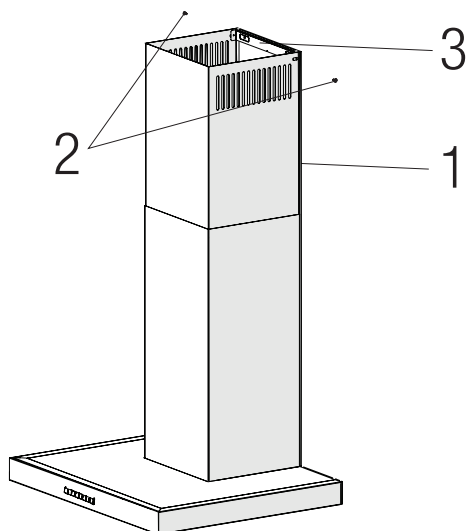
(Figura 6)

5.5 Instalação do exaustor à conduta

Fazer a ligação elétrica do seu exaustor antes de iniciar a instalação da conduta. Inserir as placas da conduta em torno da estrutura.

5 Instalação do aparelho

Fixar a placa da conduta à placa de fixação que está fixada na parede a partir do respetivo rebordo exterior superior (Figura 7).

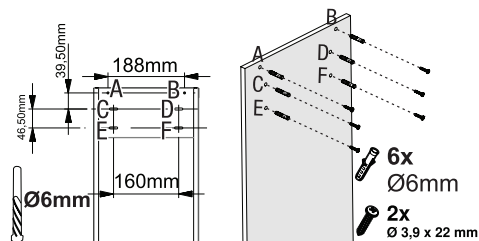


(Figura 7)

1. Conduta interior
2. Parafuso 3,5x9,5
3. Placa de ligação da conduta

5.6 Instalação do defletor de ar

Quando estiver a usar o filtro de carbono, o defletor de ar é fornecido com o seu aparelho com o objetivo de voltar a libertar o ar o qual é limpo com o filtro de carvão a partir do local perfurado na conduta. Montar o defletor de ar como se segue.



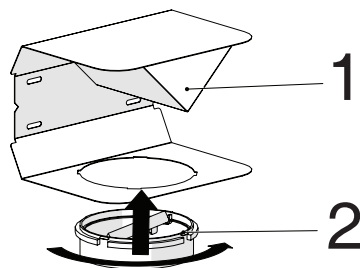
(Figura 8)

Há uma guia no meio da placa de ligação da conduta. Colocar o ponto intermédio desta guia na linha que está desenhada na perpendicular da parede. Alinhar horizontalmente e marcar os furos onde a placa de ligação será montada através de uma esferográfica. (Figura 8/A, B).

Perfurar os pontos marcados com uma perfuração de Ø6mm e inserir as duas buchas em plástico nos furos feitos (Figura 8/A, B).

Fixar a placa de ligação da conduta à parede com parafusos de 3,9x22 (Figura 8/A, B).

Para a montagem do defletor de ar, instalar o ponto C, D, E, F com furo de Ø6 mm e com buchas plásticas com Ø6mm (Figura 8).

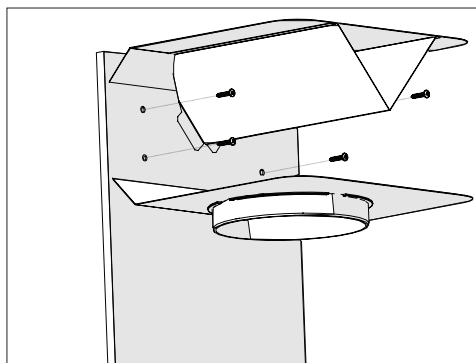


(Figura 9)

1. Defletor de ar
2. Conduta de plástico

Ligar o adaptador da conduta em plástico que está incluído na embalagem, na direção do defletor de ar. Fechar o adaptador da conduta rodando-o na direção da seta (Figura 9).

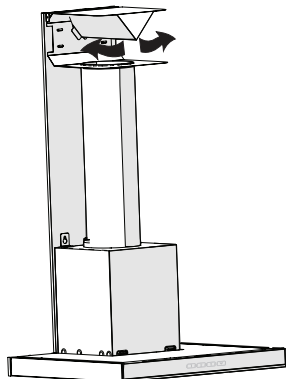
5 Instalação do aparelho



(Figura 10)

Montar o grupo do defletor de ar com parafusos de 3,9 x 22 a partir do ponto C, D, E, F que já preparou (Figura 8).

Montar a estrutura do exaustor (Figura 1).



(Figura 11)

1. Tubo de saída de ar em alumínio

Fazer a ligação do conjunto do tubo de saída de ar (Figura 11).



Uma vez que as torções e as curvas no tubo de alumínio levam a uma redução no poder de sucção de ar, evitá-las tanto quanto possível.

Instalar as placas da conduta do exaustor (Figura 7).

6 Resolução de problemas

Resolução de problemas	Razão	Ajuda
O produto não funciona.	Verificar os fusíveis.	O fusível pode estar desativado, ative-o.
O produto não funciona.	Verificar a instalação elétrica.	A tensão de rede deve ser entre 220 e 240 V.
O produto não funciona.	Verificar a instalação elétrica.	Verificar se outros produtos na cozinha estão a funcionar ou não.
A lâmpada de iluminação não funciona.	Verificar a instalação elétrica.	A tensão de rede deve ser entre 220 e 240 V.
A lâmpada de iluminação não funciona.	Verificar o interruptor da lâmpada.	O interruptor da lâmpada deve estar na posição "ligado".
A lâmpada de iluminação não funciona.	Verificar as lâmpadas.	As lâmpadas do produto não devem estar avariadas.
A entrada de ar do produto é fraca.	Verificar o filtro de alumínio.	O filtro de óleo de alumínio deve ser limpo pelo menos uma vez por mês em condições normais.
A entrada de ar do produto é fraca.	Verificar a conduta de saída de ar.	O interruptor da conduta de saída de ar deve estar na posição "ligado".
A entrada de ar do produto é fraca.	Verificar o filtro de carvão.	Para produtos com filtros de carvão, normalmente o filtro deve ser trocado a cada 3 meses.



**Contacte a assistência técnica:
707 014 192 / 215 557 319**

CONDIÇÕES DE GARANTIA - PORTUGAL

Este certificado cobre a garantia de reparação do seu eletrodoméstico por dois anos a contar da data de compra, contra defeitos de funcionamento provenientes do fabrico ou dos materiais; ou de substituição do dispositivo, a menos que uma dessas opções seja impossível ou desproporcionada em relação à outra. Quando detetar um defeito ou anomalia no aparelho entre imediatamente em contacto connosco, existe um prazo limite de dois meses para nos informar sobre a falta de conformidade. O valor da deslocação está incluído na reparação, com exceção de pequenos aparelhos que podem ser transportados para a oficina do serviço oficial da marca. Em caso de substituição, o período de garantia fica suspenso e o aparelho irá manter o prazo de validade do aparelho substituído e no mínimo 6 meses de garantia.

Esta garantia só será válida se a fatura, recibo de venda ou a entrega do produto em questão for posterior à data da fatura. Esta garantia é válida em território espanhol e português para aparelhos distribuído pela Beko Electronics Espanha SL. A garantia só é válida para o primeiro comprador ou adquirente do produto. A garantia é válida para dispositivos adaptados às condições climáticas e ambientais em que se situam.

EXCLUSÕES DA GARANTIA

O custo da reparação será pago pelo utilizador nos seguintes casos:

- Aparelhos utilizados para uso profissional ou não exclusivamente doméstico, em estabelecimentos comerciais, industriais ou públicos.
- O equipamento desmontado ou adulterado por alguém que não seja expressamente autorizado pelos serviços técnicos.
- A instalação, transporte, substituição de equipamento, colocação em funcionamento, alteração do sentido das portas.
- Intervenções de manutenção ou informações sobre a utilização dos aparelhos.
- Alteração de injetores em aparelhos a gás.
- As avarias causadas pela falta de manutenção ou limpeza, ou aquelas causadas por um uso inadequado, sobrecarga, abandono ou de forma a não respeitar as instruções de uso ou instalação dos aparelhos.
- As avarias provocadas por causas acidentais, sinistros de força maior ou resultantes de instalação inadequada e em geral, avarias por razões não relacionadas com o produto.
- As avarias causadas por ligações que podem apresentar flutuações, irregularidades ou falta de uniformidade no fornecimento, por exemplo: abastecimento de água, impulsionado por pressão, energia solar, energia eólica, geradores de energia elétrica ou outro tipo de fornecimento não-padrão.
- Os materiais quebrados ou danificados por desgaste ou uso não normal do aparelho, ou consumíveis tais como: juntas, plásticos, borracha, correias, vidros, pincéis, lâmpadas, asas, puxadores, tampas de queimadores, filtros, grades, etc.
- Os aparelhos que apresentem oxidação, ou danos por corrosão em esmaltes ou tintas, que possam ter sido causados por efeitos químicos ou eletroquímicos da água ou de qualquer outra substância, ou aceleradas por circunstâncias ambientais ou climáticas não propícias.
- Defeitos estéticos em serigrafia ou pintura.
- Os danos causados por transporte ou manuseio, colisões, etc.
- Os aparelhos devem ser instalados de forma acessível em caso de reparação e o utilizador deve assumir os custos necessários para aceder ao aparelho para reparação e substituição.

As marcas BEKO, ALTUS, BLOMBERG, y GRUNDIG são distribuídas por Beko Electronics Espanha S.L.

DADOS DO APARELHO (a ser preenchido pelo Distribuidor):

Detentor:		Carimbo do estabelecimento:
Modelo:	N.º série:	
Estabelecimento:	Data de compra:	

O fiador e o importador do seu eletrodoméstico é: BEKO ELECTRONICS ESPAÑA S.L. Calle Provenza nº 388 3º Barcelona 08025, Espana. O produto foi fabricado por ARÇELIK A.S (Arçelik A.S.Sütluce Karaağaç Cad. No:2-6 34445 Beyoglu, Istanbul, Turquia) ou o Arctic S.A. (210, 13 Decembrie St., 135200, Gaesti, Dambovitã, Romania.

Conheça-nos melhor na nossa página: www.beko.com Conserve este documento, é importante para si.

Vă rugăm să citiți mai întâi acest manual de utilizare!





Stimate client,

Vă mulțumim pentru că ați ales acest produs Beko. Sperăm să obțineți cele mai bune rezultate de la aparatul dumneavoastră, care a fost fabricat la o calitate înaltă și cu tehnologie performantă. Din acest motiv, vă rugăm să citiți cu atenție și în întregime acest manual de utilizare și toate celelalte documente însoțitoare înainte de a utiliza aparatul și să le păstrați pentru consultări ulterioare. Dacă transmiteți produsul altei persoane, oferiți-i și manualul de utilizare. Urmați instrucțiunile și acordați atenție tuturor informațiilor și avertismentelor din manualul de utilizare.

Nu uitați că acest manual de utilizare poate fi aplicat și altor modele. Diferențele dintre modele sunt descrise în manual în mod explicit.

Semnificația simbolurilor

Următoarele simboluri sunt utilizate în diverse părți ale acestui manual de utilizare:

	Informații importante și sugestii utile cu privire la utilizare.
	AVERTISMENT: Avertismente pentru situații periculoase referitoare la siguranța vieții și bunurilor.
	AVERTISMENT: Avertisment pentru pericol de incendiu.
	AVERTISMENT: Avertisment privind electrocutarea.



**HĂRTIE RECICLATĂ ȘI
RECICLABILĂ**

Acest produs a fost fabricat în fabrici ecologice moderne, fără a dăuna naturii.

1 Instrucțiuni importante cu privire la siguranță și mediu

1.1 Siguranță generală

Instrucțiuni importante cu privire la siguranță Citiți cu atenție și păstrați-le pentru consultare ulterioară Această secțiune conține instrucțiuni privind siguranța, care vă vor proteja împotriva riscului de incendiu, electrocutare, expunere la scurgeri de microunde, vătămare corporală și pagube materiale. Nerespectarea acestor instrucțiuni atrage anularea garanțiilor acordate.

- Produsele de la Beko sunt conforme standardelor de siguranță aplicabile; din acest motiv, în caz de defecțiune a produsului sau a cablului de alimentare, acestea trebuie reparate sau înlocuite de distribuitor, un centru de service sau un service similar specializat și autorizat, pentru evitarea oricărui pericol. Lucrările de reparații greșite sau efectuate de persoane necalificate pot cauza pericole sau riscuri utilizatorului.
- Acest aparat este destinat pentru a fi utilizat în scop casnic și aplicații similare cum ar fi:
 - Bucătării pentru personalul din magazine, birouri sau alte medii de lucru;
 - Ferme
 - De către clienți în hoteluri, moteluri sau alte medii de tip rezidențial;
 - Medii de tip pensiune.
- Utilizați acest produs doar pentru uzul desemnat, așa cum este descris în acest manual.
- Producătorul nu își asumă răspunderea pentru daunele provocate de instalarea incorectă sau utilizarea greșită a produsului.
- Acest aparat poate fi utilizat de către copii cu vârsta minimă de 8 ani și de către persoanele cu capacități fizice, senzoriale sau mentale reduse sau lipsite de experiență și de cunoștințe, dacă aceștia au fost supravegheați sau instruiți cu privire la utilizarea produsului într-un mod sigur și dacă înțeleg pericolele implicate.

1 Instrucțiuni importante cu privire la siguranță și mediu

- Copiii nu trebuie să se joace cu aparatul. Operațiunile de curățare și întreținere nu trebuie să fie efectuate de către copii fără supraveghere.
 - Distanța minimă dintre suprafețele de susținere pentru vasele de gătit de pe plită și partea cea mai joasă a hotei trebuie să fie de 65 cm.
 - Dacă instrucțiunile de instalare a plitei cu gaz specifică distanțe mai mari decât cele de mai sus, se vor respecta instrucțiunile respective.
 - Asigurați-vă că tensiunea de alimentare corespunde cu informațiile furnizate pe plăcuța cu date tehnice a produsului.
 - Nu utilizați aparatul atunci când cablul de alimentare sau aparatul în sine este avariat.
 - Nu strângeți, nu îndoiți și nu frecăți cablul de alimentare de margini tăioase, pentru a preveni avarierea acestuia. Feriți cablul de alimentare de suprafețele fierbinți și focul deschis.
 - Utilizați produsul doar cu o priză cu împământare.
- AVERTISMENT:** Nu conectați produsul la priza de alimentare înainte de finalizarea instalării.
- Amplasați aparatul astfel încât ștecherul să fie întotdeauna accesibil.
 - Nu atingeți lămpile dacă au funcționat mult timp. Vă pot arde mâinile, deoarece vor fi fierbinți.
 - Respectați reglementările stabilite de autoritățile competente privind evacuarea aerului rezidual (acest avertisment nu este valabil la utilizarea fără coșul de fum).
 - Folosiți produsul după ce ați pus o oală, o tigaie etc. pe plită. În caz contrar, căldura ridicată poate cauza deformări în unele părți ale produsului.
 - Opriti plita înainte de a lua oala, tigaia etc. de pe aceasta.
 - Nu lăsați ulei fierbinte pe plită. Tigăile cu ulei fierbinte pot provoca auto-combustia.

1 Instrucțiuni importante cu privire la siguranță și mediu

- Fiți atenți la perdele și huse, deoarece uleiul poate lua foc în timp ce gătiți alimente cum ar fi cartofi prăjiți.
 - Filtrul de grăsime trebuie înlocuit cel puțin lunar. Filtrul de carbon trebuie înlocuit cel puțin o dată la 3 luni.
 - Produsul trebuie curățat conform manualului de utilizare. În cazul în care curățarea nu a fost efectuată conform manualului de utilizare, există risc de incendiu.
 - Nu folosiți materiale de filtrare care nu sunt rezistente la foc, în locul filtrului actual.
 - Utilizați doar componentele originale sau componentele recomandate de către producător.
 - Nu folosiți produsul fără filtru și nu scoateți filtrele în timp ce produsul funcționează.
 - În cazul în care se produce o flacără, opriți alimentarea produsului și aparatele de gătit.
 - În cazul în care se produce o flacără, acoperiți flacăra și nu utilizați apă pentru stingere.
 - Înainte de fiecare curățare și atunci când produsul nu este folosit, scoateți-l din priză.
 - Presiunea negativă în mediu nu trebuie să depășească 4 Pa (4 x 10 bari), în timp ce hota pentru plita electrică și aparatele care funcționează cu un alt tip de energie decât electricitatea funcționează simultan.
 - În mediul în care este folosit produsul, evacuarea dispozitivelor care funcționează pe combustibil lichid sau motorină, cum ar fi radiatorul, trebuie să fie complet izolată sau dispozitivul trebuie să fie de tip ermetic.
 - La conectarea coșului de evacuare, folosiți țevi cu diametrul de 120 sau 150 mm. Racordul țevelor trebuie să fie cât mai scurt posibil și să aibă cât mai puține coturi.
 - Pericol de sufocare! Păstrați materialele de ambalare la loc inaccesibil copiilor.
- ATENȚIE:** În timpul utilizării cu aparate de gătit, piesele accesibile se pot încinge.

1 Instrucțiuni importante cu privire la siguranță și mediu

- Evacuarea hotei nu trebuie să fie conectată la canalele de aer care includ alte tipuri de fum.
- Ventilația în cameră poate fi insuficientă atunci când hota pentru plita electrică este folosită simultan cu dispozitive care funcționează cu gaz sau alți combustibili (nu se aplică neapărat în cazul aparatelor care doar evacuează aerul înapoi în cameră).
- Obiectele plasate pe produs pot să cadă. Nu amplasați nici un obiect pe aparat.
- Nu flambați alimente sub produs.

AVERTISMENT: Îndepărtați foliile de protecție înainte de a instala hota.

- Nu lăsați niciodată focul deschis la intensitate mare sub hotă când aceasta funcționează.
- Friteuzele trebuie supravegheate permanent în timpul folosirii: uleiul supraîncălzit se poate aprinde.

1.2 Conformitate cu Directiva DEEE și eliminarea deșeurilor:

Acest produs este conform cu Directiva DEEE a UE (2012/19/EU). Acest produs poartă un simbol pentru deșeurile de echipamente electrice (DEEE).



Acest simbol indică faptul că acest produs nu trebuie eliminat împreună cu alte deșeurii menajere la sfârșitul duratei sale de utilizare. Dispozitivul uzat trebuie returnat către un punct oficial de colectare pentru reciclarea dispozitivelor electrice și electronice. Pentru a găsi aceste sisteme de colectare contactați autoritățile locale sau distribuitorul de la care a fost achiziționat produsul. Fiecare gospodărie are un rol important în recuperarea și reciclarea electrocasnicelor vechi. Eliminarea corespunzătoare a electrocasnicelor uzate ajută la prevenirea posibilelor consecințe negative pentru mediu și sănătatea umană.

1.3 Conformitatea cu Directiva RoHS

Produsul pe care l-ați achiziționat este conform cu Directiva RoHS UE (2011/65/UE). Produsul nu conține materiale dăunătoare sau interzise specificate în Directivă.

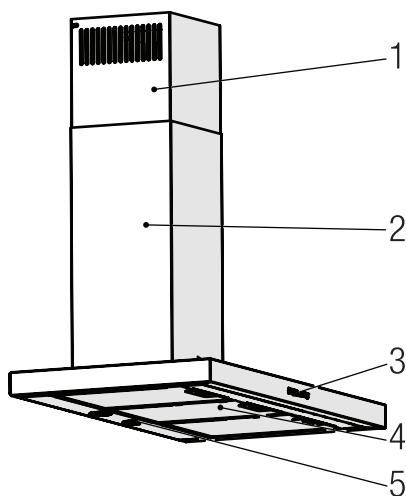
1.4 Informații despre ambalaj



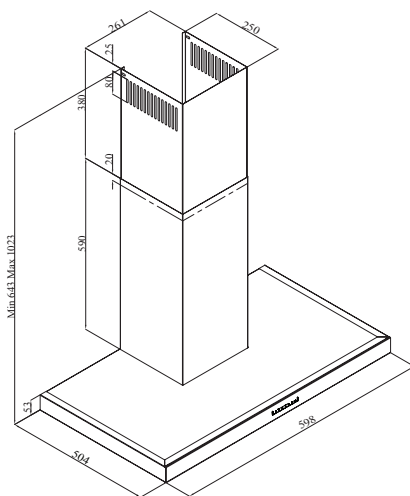
Ambalajul produsului este fabricat din materiale reciclabile, în conformitate cu reglementările naționale de mediu. Nu eliminați ambalajul împreună cu deșeurile menajere sau de alt tip. Transportați-le la punctele de colectare a ambalajelor desemnate de către autoritățile locale.

2 Aspect general

2.1 Prezentare generală



1. Tub de evacuare intern
2. Tub de evacuare extern
3. Panou de control
4. Filtre de ulei din aluminiu
5. Sistem de iluminare



2.2 Date tehnice

Model	BHCB 61632 XH
Tensiune alimentare	220-240V ~ 50 Hz
Alimentare lampă	2 x 3 W
Putere motor	210 W
Debit – 3. Nivel	612 m ³ /h
Clasa de izolație motor	Clasa F
Clasa de izolație	Clasa I

3 Funcționarea aparatului

3.1 Controlul aparatului

CHEIE	FUNCȚIE
A : 1. Buton treaptă	Acționați aparatul la viteza 1. Când apăsați din nou acest buton pentru a opri aparatul, etapa de viteză a ecranului se oprește.
B : 2. Buton treaptă	Acționați aparatul la viteza 2. Când apăsați din nou acest buton pentru a opri aparatul, etapa de viteză a ecranului se oprește.
C : Buton treaptă 3	Acționați aparatul la viteza 3. Când apăsați din nou acest buton pentru a opri aparatul, etapa de viteză a ecranului se oprește.
D : Lumină On / Off	Puteți ilumina zona de gătit apăsând acest buton. Apăsați din nou acest buton pentru a stinge becul.

3.2 Funcționarea eficientă din punct de vedere energetic în termeni de economisire Folosire

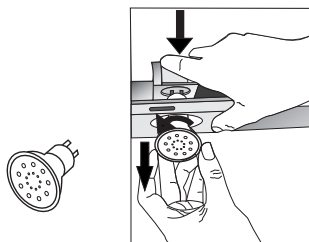
- Când folosiți hota, ajustați setările de viteză conform vaporilor și intensității mirosului, pentru a economisi energie.
- Folosiți viteze mici (1-2) în condiții normale și viteze mari (3) pentru mirosuri intense și vapori.
- Lămpile de pe hotă sunt plasate pentru iluminarea zonei de gătit.
- Folosirea lor pentru lumina ambientală va produce consum de energie inutil și lumină insuficientă.

3.3 Instrucțiuni de utilizare

- Hota dvs. conține un motor care are viteze diferite.
- Pentru o performanță mai bună, vă recomandăm să utilizați viteze reduse în condiții normale și viteze mari în caz de mirosuri puternice și vapori intensi.
- Puteți porni aparatul apăsând butonul de setare a vitezei dorit. (A, B, C)
- Puteți ilumina zona de gătit apăsând lampa (D).

3 Funcționarea aparatului

3.5 Înlocuirea becului



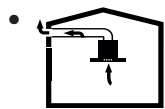
MAX 3 W

Efectuați conexiunile electrice ale aparatului. Aparatul dvs. utilizează un bec LED spot de 3W. Pentru înlocuirea becurilor, apăsați în jos suportul din spate, răsuciți-l puțin în sensul antiorar și scoateți-l trăgându-l în jos. Aplicați operațiunea de mai sus în sens invers pentru a instala becuri noi.

Bec	
Putere Bec	3 W
Suport / priză	GZ 10
Tensiune bec	220 - 240 V
Dimensiune	53 x 50 mm
Cod ILCOS	DR/F3-220-240-GZ10-50-53
Flux de lumină	250 lm
Temperatură de culoare corespondentă	3000 K

Acest produs conține o sursă de lumină din clasa de eficiență energetică "F".

3.6 Funcționare cu racordare la tubul de evacuare



Vaporii sunt extrași prin conducta de evacuare, care este fixată pe capul de conectare de pe hotă.

- Diametrul conductei de evacuare trebuie să fie același cu cel al inelului de conectare. În setări orizontale, țeava trebuie să aibă o ușoară pantă ascendentă (aproximativ 10°), astfel încât aerul să poată ieși cu ușurință din cameră.

3.7 Funcționare fără racordare la tubul de evacuare

-  Aerul este filtrat prin filtrul de carbon și recirculat în cameră. Filtrul de carbon este utilizat atunci când este imposibil de utilizat un tub în casă.
- În cazul utilizării fără tub de evacuare, îndepărtați clapetele din interiorul adaptorului pentru tubul de evacuare.
- Scoateți filtrul de ulei. Pentru a instala filtrul de carbon, montați filtrul pe clapete centrându-l pe piesa din plastic de pe ambele părți ale corpului ventilatorului. Strângeți-l prin rotirea spre dreapta sau spre stânga.
- Înlocuiți filtrul de ulei de aluminiu.

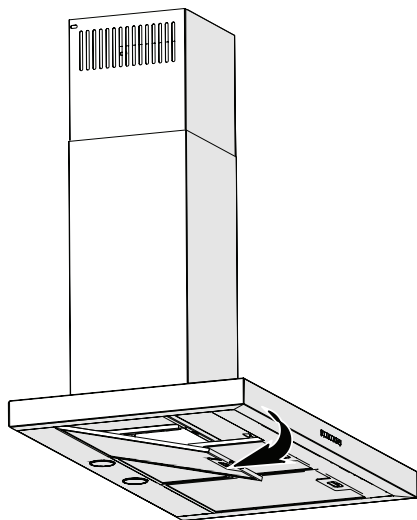
4 Curățarea și întreținerea



Înainte de curățare și întreținere, deconectați produsul sau opriți întregul motor.

4.1 Curățarea filtrelor de ulei de aluminiu

Filtrul de ulei din aluminiu este utilizat pentru a reține particulele de ulei din aer. Filtrele de aluminiu își pot schimba culoarea după curățarea repetată. Acest lucru este normal și filtrele nu trebuie înlocuite.



- Împingeți înainte blocarea filtrului de ulei din aluminiu.
- Apoi trageți-l ușor în jos și trageți-l afară. În caz contrar, puteți îndoi filtrul. Spălați și clătiți filtrele de ulei din aluminiu cu detergent lichid înlocuind filtrele de ulei din aluminiu, efectuând pașii specificați mai sus în ordine inversă. Aceste filtre de ulei din aluminiu sunt utilizate pentru a reține particulele de ulei din aer.

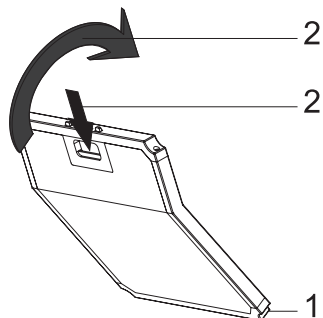


De asemenea, puteți spăla filtrele de ulei din aluminiu în mașina de spălat.



ATENȚIE: În caz de utilizare normală, curățați filtrul de ulei din aluminiu o dată pe lună.

4.2 Înlocuirea filtrelor de carbon



- Dispozitivul pe care l-ați achiziționat este potrivit pentru utilizarea cu filtre de carbon.
- Îndepărtați filtrele de ulei din aluminiu.
- Puneți partea inferioară a filtrului de carbon în carcasa motorului.
- Apăsăți butonul filtrului de carbon înainte și asigurați-vă că butoanele filtrului de carbon sunt conectate și blocate.
- Atașați filtrele de ulei de aluminiu.



ATENȚIE

- Filtrul de carbon nu trebuie spălat niciodată.
- Înlocuiți filtrele de carbon o dată la 3 luni.
- Puteți obține filtrul de carbon de la vânzătorii autorizați.

5 Instalarea aparatului



AVERTISMENT: Înainte de a începe instalarea, citiți informațiile de siguranță din Manualul utilizatorului.

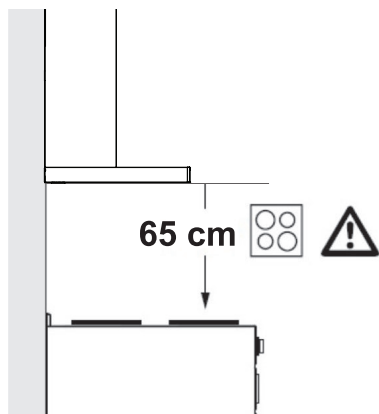


AVERTISMENT: Neinstalarea cu șuruburi și stabilizatori în conformitate cu aceste instrucțiuni poate duce la electrocutare.

Pentru instalarea hotei, vă rugăm să contactați cel mai apropiat serviciu autorizat.

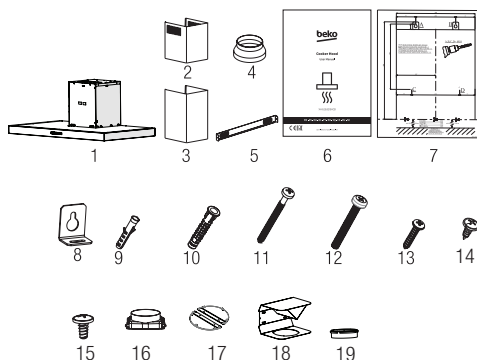
Este responsabilitatea clientului să pregătească locația și instalarea electrică a hotei.

5.1 Poziția aparatului



- Distanța dintre aragaz și hotă trebuie luată în considerare înainte de asamblare. Această distanță trebuie să fie de 65 cm.
- Distanța trebuie măsurată de la suprafața grătarului pentru aragazuri pe gaz,
- de la suprafața sticlei pentru aragazuri electrice.

5.2 Accesorii de instalare



1. Produsul
2. Tub de evacuare intern
3. Tub de evacuare extern
4. Adaptor tub de evacuare Ø150/120 mm
5. Placă de conexiune tub evacuare
6. Manual de utilizare
7. Schema de instalare
8. 6x Plăci de agățare a produsului
9. 6x dibluri din plastic Ø 6 mm
10. 3x dibluri din plastic Ø 10 mm
11. 3x șuruburi de montare pe perete 5,5x60
12. 2x M5x35 Șuruburi de conexiune placă de agățare
13. 6x șuruburi pentru placa de conexiune tub evacuare 3.9x22
14. 2x 3.5x9.5 Șurub guseu coș
15. 2x 3,5X9,5 Șurub orb
16. Adaptor din material plastic (de la pătrat la rotund)
17. Supapă de reținere
18. Deflector ventilație
19. Adaptor din material plastic (Derivator aer)

Informațiile necesare pentru a alege locul adecvat pentru instalarea hotei sunt prezentate mai jos.

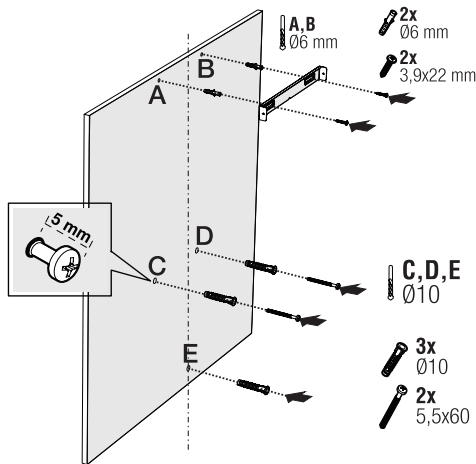
5 Instalarea aparatului

5.3 Montare pe perete

Peretele trebuie să fie plat, drept și să aibă o capacitate suficientă de încărcare.

Adâncimea găurilor trebuie să corespundă cu lungimea șuruburilor.

Șuruburile și diblurile furnizate sunt potrivite pentru pereți din cărămidă. Pentru alte materiale de construcții (de exemplu, gips carton, placă, beton poros), se folosesc dibluri și piulițe de fixare adecvate.



(Figura 1)



ATENȚIE: Înainte de găurire, asigurați-vă că nu există conducte de alimentare, gaz sau apă, în imediata apropiere a locațiilor de găurire.

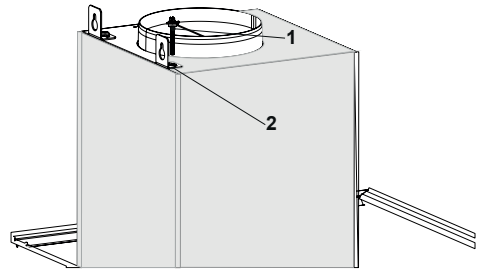
Desenați o linie de mijloc din tavan perpendicular pe marginea inferioară a hotei.

Fixați sistemul de asamblare pe perete. Pentru punctele A și B, luați ca referință dimensiunile maxime ale hotei și găuriți punctele A și B pe care le-ați marcat cu un burghiu de Ø6mm și loviți fișele de perete din plastic de Ø6mm. Instalați placa de conexiune a tubului de conectare pe perete cu 2

bucăți de șuruburi 3.9x22 (Figura 2).

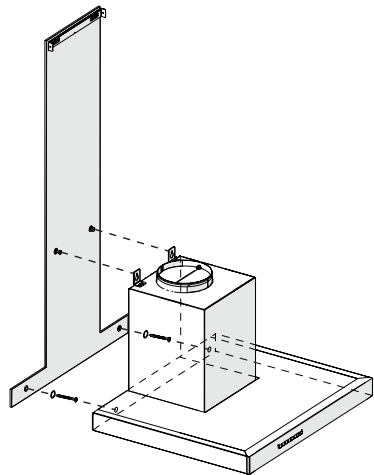
Pentru a instala corpul hotei, găuriți punctele C,D,E specificate în șablonul de instalare cu un burghiu de Ø10mm și loviți diblurile din plastic de Ø10mm în aceste puncte (Figura 2).

Instalați 2 bucăți de șuruburi de montare 5.5x60 în punctele C și D, cu un spațiu de 5 mm între capul șurubului și perete (Figura 2).



(Figura 2)

Instalați două plăci agățare pe corpul hotei cu șuruburi de montare M5x35 (Figura 2).



(Figura 3)

Țineți hota de corpul său și puneți-o pe șuruburile de suspendare de pe perete și strângeți șuruburile (Figura 3).

5 Instalarea aparatului

Fixați hota cu un șurub de 5,5x60 pe perete prin orificiul de montare din interiorul aparatului (Figura 3).

5.4 Conectarea la tubul de evacuare

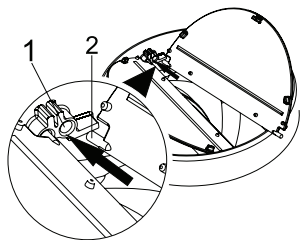
Dacă aveți de gând să utilizați adaptorul din plastic pentru tubul de evacuare Ø 120/150 mm, conectați un capăt al țevii la acest adaptor, dacă nu aveți de gând să-l utilizați, conectați-l la conducta de evacuare directă a produsului. Conectați celălalt capăt al țevii la tubul de evacuare. Verificați dacă aceste două conexiuni sunt suficient de strânse pentru a nu ieși atunci când aparatul funcționează la putere maximă. Verificați dacă clapetele din interiorul tubului de evacuare funcționează atunci când sunt strânse cu cleme. Conectați conducta de conectare a tubului în afara adaptorului (Figura 5/a). Dacă conducta de conectare este montată în interiorul adaptorului, aspirația aerului nu trebuie să aibă loc, deoarece clapeta tubului care împiedică revenirea aerului va rămâne închisă (Figura 5/b). Lungimea conductei de conectare, precum și numărul de coturi trebuie să fie cât mai mici posibil.

A: Țeavă de ieșire a tubului de evacuare

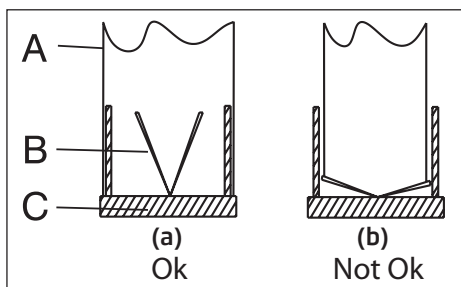
B: Clapete de reținere

C: Tub de evacuare din plastic

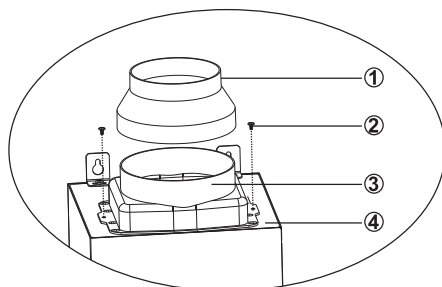
Supapele sunt închise, apoi aparatul nu funcționează și împiedică pătrunderea în interior a mirosurilor și prafului din exterior.



(Figura 4)



(Figura 5)



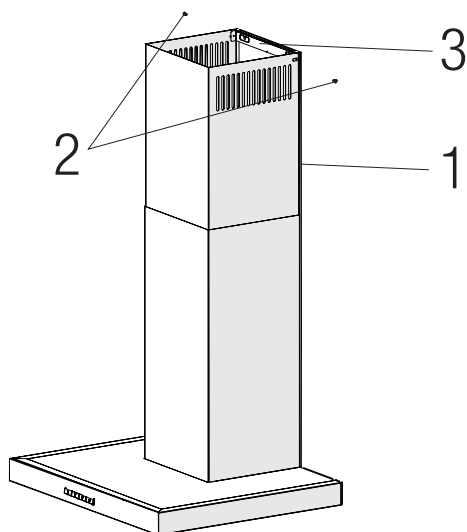
(Figura 6)

5.5 Instalarea hotei la tubul de evacuare

Realizați conexiunea electrică a hotei înainte de a începe instalarea tubului de evacuare. Glisați plăcile tubului de evacuare în jurul corpului.

Instalați placa tubului de evacuare pe placa de fixare a tubului care este fixată pe perete de la marginile sale exterioare superioare (Figura 7).

5 Instalarea aparatului

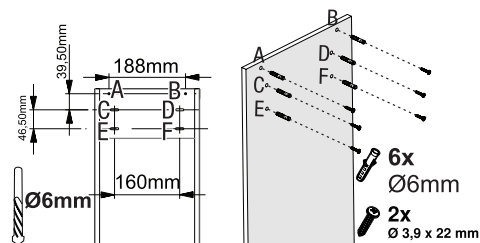


(Figura 7)

1. Tub de evacuare intern
2. Șurub 3.5x9.5
3. Placă de conexiune tub evacuare

5.6 Instalarea deflectorului de aer

În timpul utilizării cu filtrul de carbon, aparatul este dotat cu deflector de aer cu scopul de a elibera din nou aerul care este curățat cu filtru de carbon din orificiul perforat situat pe tub. Asamblați deflectorul de aer urmând instrucțiunile menționate mai jos.



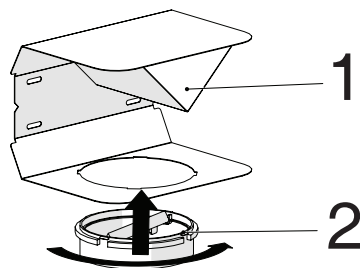
(Figura 8)

Există o filă în mijlocul plăcii de conexiune tub evacuare. Amplasați punctul de mijloc al acestei file pe linia pe care este trasată perpendicular pe perete. Aliniați orizontal și marcați cu un pix găurile în care va fi montată placa de conectare (Figura 8/A, B).

Găuriți punctele marcate cu burghiu de Ø6mm și introduceți două dibluri de plastic Ø6mm în găurile perforate (Figura 8/A, B).

Fixați placa de conexiune a tubului de conectare pe perete cu șuruburi 3.9x22 (Figura 8/A, B).

Pentru asamblarea deflectorului de aer, instalați punctele C, D, E, F cu burghiu de Ø6mm și dibluri din plastic Ø6mm (Figura 8).

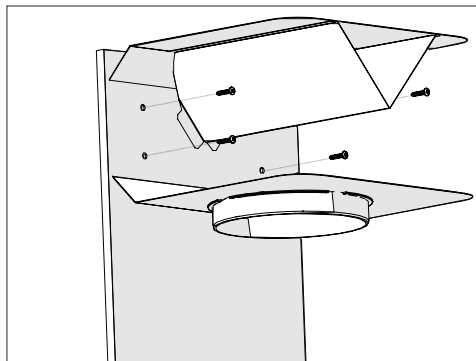


(Figura 9)

1. Deflector de aer
2. Tub de evacuare din plastic

Atașați adaptorul de tub din plastic, care este inclus în pachet, în direcția deflectorului de aer. Blocați adaptorul tubului rotindu-l în direcția săgeții (Figura 9).

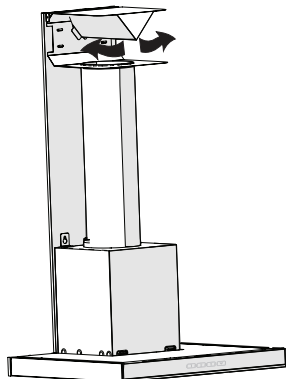
5 Instalarea aparatului



(Figura 10)

Asamblați grupul deflectorului de aer cu șuruburi 3,9 x 22 din punctele C, D, E, F pe care le-ați pregătit deja (Figura 8).

Asamblați corpul hotei (Figura 1).



(Figura 11)

1. Țeavă de evacuare a aerului din aluminiu

Asigurați asamblarea conductei de evacuare a aerului (Figura 11).



Din moment ce răsucirea și îndoirea țevii de aluminiu va duce la reducerea puterii de aspirație a aerului, evitați să îndoiiți sau să răsuciți țeava.

Instalați plăcile de tub ale hotei (Figura 7)

6 Depanarea

Problemă	Cauză	Soluție
Produsul nu funcționează.	Verificați siguranța dvs.	Dacă siguranța dvs. este închisă, deschideți-o.
Produsul nu funcționează.	Verificați conexiunea electrică.	Tensiunea rețelei trebuie să fie între 220 și 240 V.
Produsul nu funcționează.	Verificați conexiunea electrică.	Verificați dacă și celelalte aparate din bucătărie funcționează.
Lampa de iluminare nu funcționează.	Verificați conexiunea electrică.	Tensiunea rețelei trebuie să fie între 220 și 240 V.
Lampa de iluminare nu funcționează.	Verificați comutatorul lămpii.	Comutatorul pentru lampă trebuie să fie în poziția „on” (pornit).
Lampa de iluminare nu funcționează.	Verificați becurile.	Becurile produsului nu trebuie să fie defecte.
Admisia de aer a produsului este slabă.	Verificați filtrul de aluminiu.	În condiții normale de funcționare, filtrul de ulei din aluminiu trebuie curățat cel puțin o dată pe lună.
Admisia de aer a produsului este slabă.	Verificați tubul de evacuare a aerului.	Tubul de evacuare a aerului trebuie să fie în poziția „on” (pornit).
Admisia de aer a produsului este slabă.	Verificați filtrul de carbon.	Pentru produsele cu filtre de carbon, filtrul trebuie schimbat în mod normal la fiecare 3 luni.



CERTIFICAT DE GARANȚIE

Tensiune de alimentare/frecvență: 220-240V~, 50-60Hz
Importator: ARCTIC S.A., Găești, Dâmbovița, str. 13 Decembrie nr. 210, email: office@arctic.ro

TIP: Aragaz Cuptor încorporabil Plită încorporabilă Hotă

Model / Serie:.....

VĂNZĂTOR

Nr. factură:.....Data:

Vânzător (firma, localitatea):

CUMPĂRĂTOR

NumeLocalitatea

Str.Nr.BlocSc.Et.Ap.

Județ TelefonE-mail

S-a efectuat proba de funcționare a aparatului, s-a prezentat modul de folosire, s-au predat instrucțiunile de utilizare și toate accesoriile. Am primit aparatul în perfectă stare de funcționare.

Stimați clienți,

La cumpărare vă recomandăm să solicitați efectuarea probei de funcționare și să verificați existența instrucțiunilor de utilizare și a accesoriilor.

Pentru a putea beneficia de toate avantajele produselor și serviciilor noastre vă rugăm:

- să citiți cu atenție și să respectați recomandările prezentate în "Instrucțiunile de utilizare".
 - să păstrați cu grijă acest certificat pentru a-l putea prezenta (împreună cu documentul fiscal de achiziție), personalului SERVICE, la orice sesizare efectuată în perioada de garanție.
- Vă mulțumim că ați optat pentru cumpărarea unui produs Beko!

Durata medie de utilizare a produsului este de 10 ani!

Perioada de garanție legală de conformitate este de 2 ani de la intrarea produsului în posesia consumatorului.

Art. 22, alin. 3-6, din L449/2003, modificata de OG 9/2016:

- (3) Timpul de nefuncționare din cauza lipsei de conformitate apărute în cadrul termenului de garanție prelungeste termenul de garanție legală de conformitate și curge, după caz, din momentul la care a fost adusă la cunoștință vânzătorului lipsa de conformitate a produsului sau din momentul prezentării produsului la vânzător/unitatea de service până la aducerea produsului în stare de utilizare normală și, respectiv, al notificării în scris în vederea ridicării produsului sau predării efective a produsului către consumator.
- (4) Produsele de folosință îndelungată care înlocuiesc produsele defecte în cadrul termenului de garanție vor beneficia de un nou termen de garanție care curge de la data preschimbării produsului.
- (5) Produsele de folosință îndelungată defectate în termenul de garanție legală de conformitate, atunci când nu pot fi reparate sau când durata cumulată de nefuncționare din cauza deficiențelor apărute în termenul de garanție legală de conformitate depășește 10% din durata acestui termen, la cererea consumatorului, vor fi înlocuite de vânzător sau acesta va restitui consumatorului contravaloarea produsului respectiv.
- (6) Termenul de garanție curge de la data intrării bunului respectiv în posesia consumatorului, inclusiv pentru bunurile noi de folosință îndelungată, obținute prin tragere la sorți la tombole, câștigate la concursuri și similare sau acordate cu reducere de preț ori gratuit de către operatorii economici.

Garanția oferită de producător nu exclude garanția de vicii ascuns, conform OG 21/1992 (R2) privind protecția consumatorului și Codul Civil.



Service-ul acestui produs este asigurat de ARCTIC S.A. cu sediul în Găești, Dâmbovița, str. 13 Decembrie nr. 210. • *9010 • www.arctic.ro • www.beko.ro • e-mail: service@arctic.ro
Program Call Center: Luni - Vineri 08:30 - 20:00; Sâmbătă 08:30 - 17:00

UNITĂȚILE SERVICE ALE ARCTIC S.A. EXECUTĂ REPARAȚII ÎN TERMENUL DE GARANȚIE ȘI ÎN AFARA ACESTUIA

Nr. crt.	Data Reclamației	Data primirii în reparație	Reparat			Reparația curentă și/sau componenta înlocuită	Prelungirea termenului de garanție	Efectuarea verificării	
			Programat	Data ridicării aparatului	Cauza întârzierii			SERVICE	CLIENT

CONDIȚII DE GARANȚIE LEGALĂ DE CONFORMITATE:

Pentru orice defecțiune aparută în perioada de garanție sau post-garanție, apălați la magazinul de unde a fost achiziționat produsul sau direct la Call Center Arctic.

Prelungirea termenului de garanție se va înscrie în certificatul de garanție de către unitatea SERVICE care a efectuat reparația.

Garanția acoperă reparația și/sau înlocuirea pieselor constatate ca defecte (necauzate de consumator) de către tehnicienii Service.

Termenul de realizare a operațiilor de reparare, înlocuire sau întreținere este de 15 zile calendaristice de la data la care cumpărătorul a sesizat defecțiunea la magazinul de unde a achiziționat produsul sau direct la Call Center Arctic.

Reclamațiile referitoare la aspectele prevăzute mai jos, se rezolvă numai contra cost:

- a) nefuncționarea lămpilor de iluminare;
- b) accesoriile care nu au defecte ascunse de material constatate de tehnicienii Service;
- c) piesele și accesoriile care prezintă lovitură, zgârieturi, spărturi sau deformări.

PRODUSUL NU BENEFICIAZĂ DE GARANȚIE LEGALĂ DE CONFORMITATE ÎN URMĂTOARELE CAZURI:

1. Nu a fost respectate instrucțiunile de transport, manipulare, instalare, utilizare și întreținere prescise.
2. Subansamblurile și accesoriile casabile care se deteriorează în timpul transportului vor fi înlocuite de vânzător (în cazul în care asigură transportul).
3. Garanția nu se acordă subsansamblelor și accesoriilor casabile ale produselor care suferă deteriorări din vina consumatorului.
4. Tensiunea de alimentare are valori care nu se încadrează în limitele prevăzute de standarde (SREN 50160).
5. Instalația electrică a utilizatorului prezintă improvizații sau neconformități.
6. Produsul a fost folosit în alte scopuri decât cel pentru care a fost proiectat.
7. Produsul a suportat intervenții (reparații, modificări) din partea unor persoane neautorizate de producător.

Drepturile consumatorului sunt cele prevăzute în Legea 449/2003 (republicată) și OG 21/1992 (republicată).

În cadrul acestui proces, Arctic vă prelucrează date cu caracter personal, cu respectarea legilor aplicabile privind confidențialitatea și protecția datelor. Pentru informații complete despre modul în care vă prelucreăm datele, precum și despre drepturile dumneavoastră, vă rugăm să consultați secțiunea "Protecția datelor personale", accesând site-ul nostru la adresa <https://www.beko.ro/>.

Ju lutemi lexoni në fillim këtë manual përdorimi!

I dashur klient i çmuar,

Faleminderit që keni zgjedhur këtë pajisje Beko. Ne shpresojmë që të merrni rezultatet më të mira nga pajisja juaj, e cila është prodhuar me cilësi të lartë dhe me një teknologji të nivelit më të lartë. Për këtë arsye, lexoni me kujdes të gjithë këtë manual përdorimi dhe të gjitha dokumentet e tjera shoqëruese përpara se të përdorni këtë pajisje dhe mbajeni atë si referencë për ta përdorur në të ardhmen. Nëse ia jepni dikujt tjetër këtë pajisje, jepini edhe manualin e përdorimit. Ndiqni udhëzimet duke treguar vëmendje për të gjitha informacionet dhe paralajmërimet në manualin e përdorimit.

Mos harroni se ky manual përdorimi mund të jetë i vlefshëm edhe për modele të tjera. Diferencat mes modeleve përshkruhen në mënyrë të qartë në manual.

Kuptimet e simboleve

Simbolet e mëposhtme përdoren në pjesë të ndryshme të këtij manuali përdorimi:



Informacione të rëndësishme dhe sugjerime të dobishme për përdorimin.



PARALAJMËRIM: Paralajmërim për situata të rrezikshme në lidhje me sigurinë e jetës dhe të pronës.



PARALAJMËRIM: Paralajmërim për rrezikun e zjarrit.



PARALAJMËRIM: Paralajmërim për goditje elektrike.



**LETËR E RICIKLUAR
DHE E RICIKLUESHME**

Kjo pajisje është prodhuar në impiante moderne të përshtatshme për mjedisin që nuk e dëmtojnë natyrën.

1 Udhëzime të rëndësishme për sigurinë dhe mjedisin

1.1 Siguria e përgjithshme

Udhëzime të rëndësishme për sigurinë. Lexojini me kujdes dhe mbajini për referencë në të ardhmen. Në këtë pjesë përfshihen udhëzimet për sigurinë që do t'ju ndihmojnë të mbroheni nga rreziku i zjarrit, goditjes elektrike, ekspozimit ndaj rrjedhjeve të energjisë së mikrovalëve, lëndimeve personale ose dëmtimeve të pronës. Mosrespektimi i këtyre udhëzimeve do ta bëjë të pavlefshme garancinë.

- Produktet Beko janë në përputhje me standardet përkatëse të sigurisë; për këtë arsye, në rast dëmtimi të pajisjes ose të kabllot elektrike, ajo duhet të riparohet ose të zëvendësohet nga shitësi, qendra e shërbimit ose një specialist dhe shërbim i autorizuar i ngjashëm për të shmangur çdo rrezik. Riparimet e gabuara ose të pakualifikuara mund të jenë të rrezikshme dhe të shkaktojnë rrezik për përdoruesin.
- Kjo pajisje është planifikuar të përdoret në shtëpi dhe në aktivitete të ngjashme si p.sh.:
 - Zonat e kuzhinës së personelit në dyqane, zyra dhe ambiente të tjera pune;
 - Shtëpi në ferma
 - Nga klientët në hotele dhe ambiente të tjera banimi;
 - Ambiente të tipit të moteleve.
- Përdoreni këtë pajisje vetëm për qëllimin e planifikuar siç përshkruhet në këtë manual.
- Prodhuesi nuk mund të mbajë përgjegjësi për dëmtimet që shkaktohen nga instalimi i gabuar ose keqpërdorimi i produktit.
- Kjo pajisje mund të përdoret nga fëmijë të moshës 8 vjeç e lart dhe personat me aftësi më të ulëta fizike, ndjesore ose mendore ose me mungesë përvoje dhe njohurish nëse u janë dhënë udhëzime ose janë monitoruar në lidhje me përdorimin e pajisjes në një mënyrë të sigurt dhe i kuptojnë rreziqet që përfshihen.
- Fëmijët nuk duhet të lejohen që të luajnë me pajisjen. Pastrimi dhe mirëmbajtja e përdoruesit

1 Udhëzime të rëndësishme për sigurinë dhe mjedisin

nuk duhet bërë nga fëmijë pa mbikëqyrje.

- Distanca minimale mes sipërfaqes mbështetëse për enët e gatimit në vatrën e gatimit dhe pjesës më të poshtme të produktit tuaj duhet të jetë të paktën 65 cm.
- Nëse udhëzimet për instalimin për vatrën e gazit specifikojnë një distancë më të madhe, kjo duhet të merret parasysh.
- Sigurohuni që furnizimi me energji nga rrjeti elektrik është në përputhje me informacionet e dhëna në tabelën e karakteristikave të pajisjes.
- Mos e përdorni asnjëherë pajisjen nëse kabloja elektrike ose vetë pajisja është e dëmtuar.
- Parandaloni dëmtimin e kabllot elektrike duke mos e shtypur, përkulur ose prekur në cepa të mprehtë. Mbajeni kabllon elektrike larg nga sipërfaqet e nxehta dhe flakët e pambrojtura.
- Përdoreni pajisjen vetëm me një prizë me tokëzim.

PARALAJMËRIM: Mos e lidhni pajisjen me rrjetin elektrik deri sa

instalimi të ketë përfunduar plotësisht.

- Vendoseni pajisjen në një mënyrë të tillë që spina të jetë gjithmonë lehtësisht e arritshme.
- Mos i prekni llambat nëse janë përdorur për një kohë të gjatë. Ato mund t'ju djegin duart nëse nxehen.
- Ndiqni rregullat e përcaktuara nga autoritetet kompetente për shkarkimin e ajrit të papastër (ky paralajmërim nuk është i vlefshëm për përdorim pa tuba).
- Përdoreni pajisjen pasi të vendosni një tenxhere, tigan etj. në vatrën e gatimit. Në rast të kundërt, nxehtësia e lartë mund të shkaktojë deformime në disa pjesë të produktit tuaj.
- Fikeni vatrën e gatimit para se ta hiqni tenxheren, tiganin etj. nga ajo.
- Mos lini vaj të nxehtë që vatrën e gatimit. Tiganët me vaj të nxehtë mund të marrin zjarr.
- Tregoni kujdes ndaj perdeve dhe mbulesave pasi vaji mund të marrë zjarr gjatë gatimit të ushqimeve si p.sh. patateve të skuqura.

1 Udhëzime të rëndësishme për sigurinë dhe mjedisin

- Filtri i yndyrës duhet të ndërrohet të paktën çdo muaj. Filtri i karbonit duhet të ndërrohet të paktën çdo 3 muaj.
 - Produkti duhet të pastrohet në përputhje me manualin e përdorimit. Nëse pastrimi nuk kryhet në përputhje me manualin e përdorimit, ekziston rreziku i zjarrit.
 - Mos përdorni materiale filtrimi që nuk janë rezistente ndaj zjarrit në vend të filtrit aktual.
 - Përdorni vetëm pjesë origjinale ose pjesë të rekomanduara nga prodhuesi.
 - Mos e përdorni produktin pa filtrin dhe mos i hiqni filtrat kur produkti është në përdorim.
 - Në rast se ndizen flakë, shkëputeni produktin nga rrjeti elektrik dhe pajisjet e gatimit.
 - Në rast se ndizen flakë, mbulojini flakët dhe mos përdorni asnjëherë ujë për fikjen e tyre.
 - Hiqeni pajisjen nga priza para pastrimit dhe kur pajisja nuk është në përdorim.
 - Presioni negativ në ambient nuk duhet të kalojë 4 Pa (4 x 10 bar) kur përdoren njëkohësisht aspiratori për vatrat elektrike dhe pajisje që funksionojnë me një lloj tjetër energjie.
 - Në ambientin ku përdoret pajisja, ajri i shkarkimit i pajisjeve që punojnë me karburant ose gaz, si p.sh. ngrohësit e dhomës, duhet të izolohet në mënyrë absolute ose pajisja duhet të jetë e tipit hermetik.
 - Kur lidhni tubat, përdorni tuba me diametër 120 ose 150 mm. Lidhja e tubave duhet të jetë sa më e shkurtër dhe me sa më pak bërryla.
- Rrezik mbytje!** Mbajini të gjitha materialet e paketimit larg fëmijëve.
- KUJDES:** Pjesët e arritshme mund të jenë të nxehta kur përdoren me pajisjet e gatimit.
- Shkarkimi i produktit nuk duhet të lidhet me kanale ajri që përfshijnë tymra të tjerë.
 - Ajrimi në dhomë mund të mos jetë i mjaftueshëm kur aspiratori për vatrën elektrike përdoret në të njëjtën kohë me pajisje që funksionojnë me gaz ose karburante të tjera (kjo mund të mos

1 Udhëzime të rëndësishme për sigurinë dhe mjedisin

jetë e vlefshme për pajisjet që e nxjerrin ajrin përsëri vetëm në dhomë).

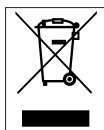
- Objektet e vendosura mbi produkt mund të bien. Mos vendosni objekte mbi produkt.
- Mos ndizni flakë gjatë gatimit nën produkt.

PARALAJMËRIM: Para se të instaloni aspiratorin, hiqni shtresat mbrojtëse.

- Mos lini asnjëherë flakë të hapura të larta nën aspirator kur ai është në funksionim.
- Fritezat duhet të monitorohen vazhdimisht gjatë përdorimit: vaji i nxehur shumë mund të shpërthejë në flakë.

1.2 Përputhja me direktivën WEEE dhe hedhja e produktit pas përdorimit

Ky produkt është në përputhje me direktivën WEEE të BE-së (2012/19/EU). Ky produkt ka një simbol klasifikimi për pajisjet e përdorura elektrike dhe elektronike (WEEE).



Ky simbol tregon se ky produkt nuk duhet të hidhet me mbeturinat e tjera të shtëpisë në fund të kohëzgjatjes së shërbimit. Pajisja e përdorura duhet të kthehet te pika zyrtare e grumbullimit

për riciklimin e pajisjeve elektrike dhe elektronike. Për t'i gjetur këto sisteme grumbullimi, kontaktoni me autoritetet lokale ose me shitësin ku e keni

blerë produktin. Çdo shtëpi ka një rol të rëndësishëm në rikuperimin dhe riciklimin e pajisjeve të vjetra. Hedhja e pajisjes së përdorur në mënyrën e duhur ndihmon për të parandaluar pasoja të mundshme negative për mjedisin dhe shëndetin e njeriut.

1.3 Përputhja me direktivën RoHS

Produkti që keni blerë është në përputhje me direktivën RoHS të BE-së (2011/65/EU). Nuk përmban materiale të dëmshme dhe të ndaluara të specifikuar në direktivë.

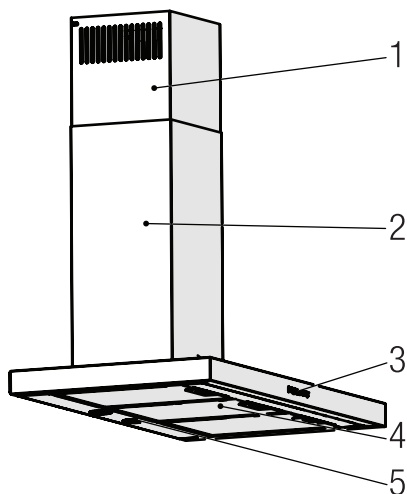
1.4 Informacionet për paketimin



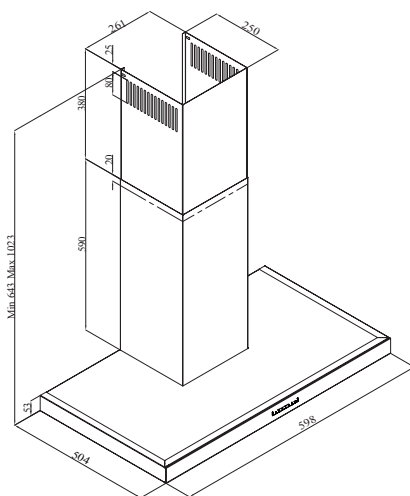
Materialet e paketimit të produktit janë prodhuar nga materiale të riciklueshme në përputhje me rregulloret tona kombëtare për mjedisin. Mos i hidhni materialet e paketimit bashkë me mbeturinat e shtëpisë ose mbeturina të tjera. Dërgojini ato te pikat e grumbullimit të materialeve të paketimit të përcaktuara nga autoritetet lokale.

2 Pamja e përgjithshme

2.1 Përmbledhje



1. OXHAKU I BRENDSHËM
2. OXHAKU I JASHTËM
3. PANELI I KONTROLLIT
4. FILTRAT ANTI-YNDYRË PREJ ALUMINI
5. NDRIÇUESI I SOBËS







2.2 Të dhëna teknike

Modeli	BHCB 61632 XH
Voltazhi	220-240V ~ 50 Hz
Fuqia e llambës	2 x 3 W
Fuqia e motorit	210 W
Sasia e thithjes – 3. Niveli	612 m ³ /h
Klasa e izolimit të motorit	Klasa F
Klasa e izolimit	Klasa I

3 Përdorimi i pajisjes

3.1 Kontrolli i pajisjes

			
A	B	C	D
BUTONI	FUNKSIONI		
A : 1. Butoni i fazës	Operon pajisjen në shpejtësinë e 1-rë. Kur ju shtypni këtë buton përsëri për të fikur pajisjen, ekrani i fazës së shpejtësisë fiket.		
B : 2. Butoni i fazës	Operon pajisjen në shpejtësinë e 2-të. Kur ju shtypni këtë buton përsëri për të fikur pajisjen, ekrani i fazës së shpejtësisë fiket.		
C : 3. Butoni i fazës	Operon pajisjen në shpejtësinë e 3-të. Kur ju shtypni këtë buton përsëri për të fikur pajisjen, ekrani i fazës së shpejtësisë fiket.		
D : Drita ndezur / fikur	Mund të ndriçoni sipërfaqen e gatimit duke shtypur këtë buton. Rishtypni butonin për të fikur llambën.		

3.2 Përdorim efikas i energjisë për sa i përket kursimit të energjisë Përdorimi

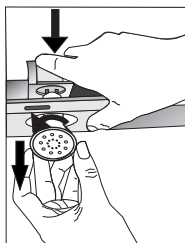
- Kur përdorni pajisjen, rregulloni parametrat e shpejtësisë në përputhje me intensitetin e avullit dhe të aromës, në mënyrë që të kurseni energji.
- Përdorni shpejtësitë e ulëta (1-2) në kushte normale, dhe shpejtësinë e lartë (3) kur ka aroma të forta dhe avull.
- Llambat në aspirator janë vendosur për të ndriçuar sipërfaqen e gatimit.
- Përdorimi i tyre për të ndriçuar ambientin do të shkaktojë shpenzim të panevojshëm të energjisë dhe ndriçim të pamjaftueshëm.

3.3 Udhëzime të përdorimit

- Pajisja juaj ka një motor me shpejtësi të ndryshme.
- Për një performancë më të mirë, rekomandojmë të përdorni shpejtësitë e ulëta në kushte normale dhe shpejtësitë e larta në rastin kur ka aroma të forta dhe shumë avull.
- Mund ta ndizni pajisjen duke shtypur butonin e parametrat të shpejtësisë së dëshiruar. (A, B, C)
- Mund të ndriçoni sipërfaqen e gatimit duke shtypur llambën (D).

3 Përdorimi i pajisjes

3.4 Ndërrimi i llambës



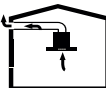
MAX 3 W

Bëni lidhjet elektrike të pajisjes. Pajisja juaj përdor llambë spot LED 3W. Për të ndërruar llambat, shtypeni poshtë mbajtësen nga prapa, rrotullojeni në drejtim të kundërt me akrepat e orës dhe tërhiqeni poshtë. Kryeni të njëjtat veprime nga ana e kundërt për të montuar llambat e reja.

Llamba	
Fuqia e llambës	3 W
Mbajtësja / Foleja	GZ 10
Voltazhi i llambës	220 - 240 V
Madhësia	53 x 50 mm
Kodi ILCOS	DR/F3-220-240-GZ10-50-53
Fluksi ndriçues	250 lm
Temperatura e ngjyrës përkatëse	3000 K

Ky produkt përmban një burim ndriçimi të klasës së efikasitetit energjetik "F".

3.5 Përdorimi me oxhak

-  Avulli nxirret nëpërmjet tubit të oxhakut, i cili është mbërthyer te koka bashkuese në aspirator.
- Diametri i tubit të oxhakut duhet të jetë i njëjtë me unazën bashkuese. Kur është i vendosur

horizontalisht, tubi duhet të ketë një pjerrësi pakëz të ngritur (rreth 10°) në mënyrë që ajri të dalë lehtë nga dhoma.

3.6 Përdorimi pa oxhak

-  Ajri filtrohet nëpërmjet filtrit prej karboni dhe riqarkullohet në dhomë. Filtri prej karboni përdoret kur është e pamundur të përdoret një oxhak në shtëpi.
- Në përdorimin pa oxhak, hiqni fletët brenda reaktorit të oxhakut.
- Hiqni filtrin anti-yndyrë. Për të montuar filtrin prej karboni, puthiteni filtrin te gjuhëzat duke e vënë në qendër të pjesës plastike në lidhje me të dyja anët e trupit të ventilatorit. Shtrëngojeni duke e rrotulluar djathtas ose majtas.
- Rivendosni filtrin anti-yndyrë prej alumini.

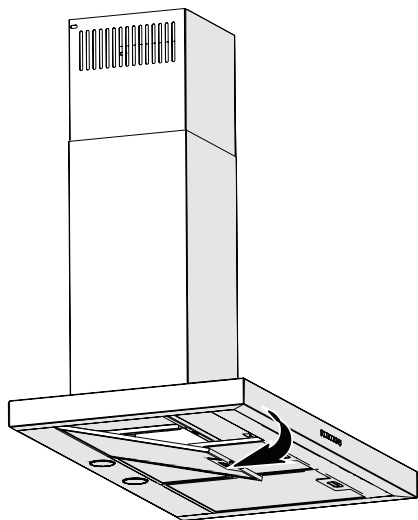
4 Pastrimi dhe mirëmbajtja



Para pastrimit dhe mirëmbajtjes, hiqni produktin nga priza ose fikni çelësin.

4.1 Pastrimi i filtrave anti-yndyrë prej alumini

Filtri anti-yndyrë prej alumini mbledh grimcat e yndyrërave që janë në ajër. Filtrat prej alumini mund të ndryshojnë ngjyrë kur lahen disa herë. Kjo është normale dhe nuk ka nevojë t'i ndërroni filtrat tuaj.



- Shtyni para mbërtheckën e filtrit anti-yndyrë prej alumini.
- Pastaj tërhiqeni pak poshtë dhe nxirreni jashtë filtrin. Në të kundërt, mund ta shtrembëroni filtrin. Lani dhe shpëlani filtrat anti-yndyrë prej alumini me detergjent të lëngshëm dhe rivendosni filtrat anti-yndyrë prej alumini në foletë e tyre duke ndjekur hapat e specifikuar më sipër në radhën e kundërt. Këta filtra anti-yndyrë prej alumini përdoren për të mbledhur grimcat e yndyrërave që janë në ajër.

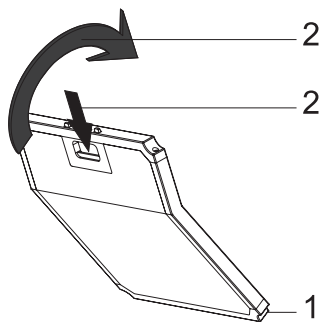


Gjithashtu, mund t'i lani filtrat anti-yndyrë prej alumini në pjatararëse.



KUJDES: Në rast përdorimi normal, pastrojeni filtrin anti-yndyrë prej alumini një herë në muaj.

4.2 Ndërrimi i filtrave prej karboni



- Pajisja që keni blerë është e përshtatshme për t'u përdorur me filtra karboni.
- Hiqni filtrat anti-yndyrë prej alumini.
- Vendoseni pjesën e poshtme të filtrit prej karboni në kabinën e motorit.
- Shtypni mbërtheckën e filtrit të karbonit dhe shtypni përpara e sigurohuni që gjuhëzat e filtrit të karbonit të lëvizin dhe të bllokohen.
- Montoni filtrat anti-yndyrë prej alumini.



KUJDES

- Filtri prej karboni nuk duhet të lahet kurrë.
- Ndërroni filtrat prej karboni një herë në 3 muaj.
- Mund ta gjeni filtrin prej karboni te serviset e autorizuara.

5 Montimi i pajisjes



KUJDES: Para se të filloni montimin, lexoni informacionet për sigurinë në Manualin e Përdorimit.

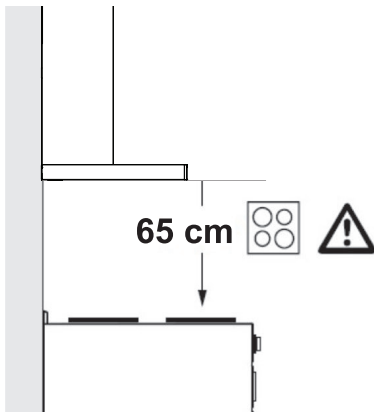


KUJDES: Nëse pajisja nuk montohet me vida dhe bulona në përputhje me këto udhëzime, kjo mund të rezultojë në goditje elektrike.

Për montimin e aspiratorit, ju lutemi kontaktoni Servisin e Autorizuar më të afërt.

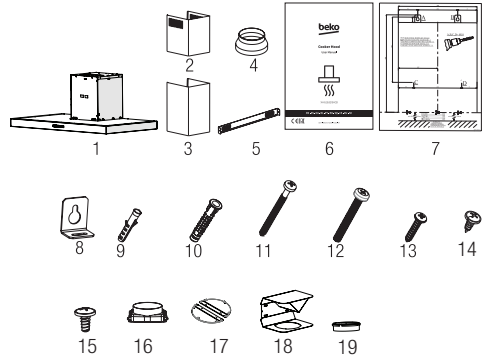
Është përgjegjësia e klientit të përgatitë vendndodhjen dhe montimin elektrik të aspiratorit.

5.1 Pozicioni i pajisjes



- Distanca midis sobës dhe aspiratorit të kuzhinës duhet të merrret parasysh para montimit. Distanca duhet të jetë 65 cm.
- Distanca duhet matur nga sipërfaqja e skarës për sobat me gaz,
- Nga sipërfaqja e xhamit për sobat elektrike.

5.2 Aksesorët e montimit



1. Produkti
2. OXHAKU I BRENDSHËM
3. OXHAKU I JASHTËM
4. Reduktori i oxhakut Ø150/120mm
5. Pllaka bashkuese e oxhakut
6. Manuali i përdorimit
7. Shablioni i montimit
8. 6x pllakëza mbajtëse
9. 6x Ø6mm upa plastike
10. 3x upa plastike Ø10mm
11. 3x vida muri 5.5x60
12. 2x vida për pllakëzat mbajtëse M5x35
13. 6x vida për pllakën bashkuese të oxhakut 3.9x22
14. Vidë për pllakë lidhëse oxhaku 2x 3,5x9,5
15. Vidë pa kokë 2x 3,5x9,5
16. Adaptor plastik (nga katror në i rumbullakët)
17. Valvul me një drejtim
18. Deflektor ajri
19. Adaptor plastik (devijues ajri)

Informacionet që nevojiten për ta bërë vendin të përshtatshëm për montimin e aspiratorit jepen më poshtë.

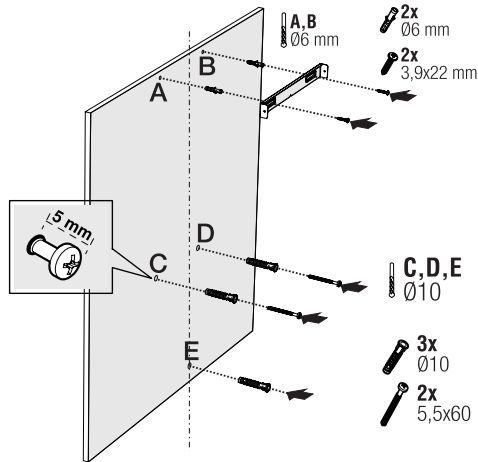
5.3 Montimi në mur

Muri duhet të jetë i sheshtë, i drejtë dhe të ketë aftësi mbajtëse të mjaftueshme.

5 Montimi i pajisjes

Thellësia e vrimave që do të shpohen duhet të përputhet me gjatësinë e bulonave.

Bulonat dhe upat e siguruar janë të përshtatshme për muret me tulla. Për materiale të tjera ndërtimi (p.sh. karton gips, veshje metalike, beton poroz), duhen përdorur upa dhe vida të përshtatshme.



(Figura 1)



KUJDES: Para se të hapni vrimat, sigurohuni që pranë vendit ku do të shpohi me trapan të mos ketë tuba korrenti, gazi ose uji.

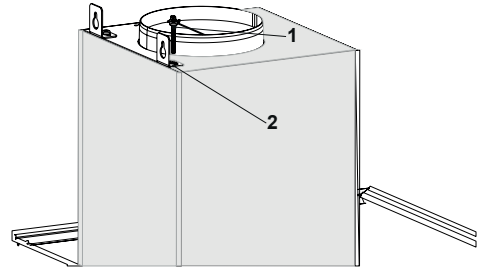
Vizatoni një vijë në mes të vendndodhjes së aspiratorit nga taveni pingul me skajin e poshtëm të aspiratorit.

Fiksojeni shabllonin e montimit në mur. Për pikat A dhe B, merrni si referim përmasat maksimale të aspiratorit, dhe hapni vrima te pikat A dhe B që kenë shënuar, me punto $\varnothing 6\text{mm}$, dhe futni duke i goditur lehtë upat plastike $\varnothing 6\text{mm}$. Fiksioni në mur pllakën bashkuese të oxhakut me 2 vida të $3,9 \times 22$ (Figura 2).

Për të montuar trupin e aspiratorit, hapni vrima te pikat C, D, E të specifikuara në shabllonin e montimit me punto $\varnothing 10\text{mm}$ dhe futni në këto

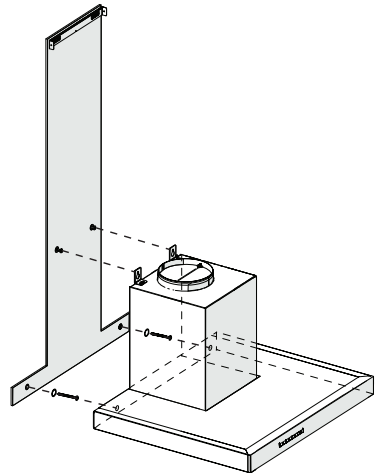
vrima duke i goditur lehtë upat plastike $\varnothing 10\text{mm}$ (Figura 2).

Montoni 2 vida montimi $5,5 \times 60$ te pikat C dhe D duke lënë një hapësirë 5 mm midis kokës së vidës dhe murit (Figura 2).



(Figura 2)

Montoni dy pllakëza mbajtëse te trupi i aspiratorit me vida montimi $M5 \times 35$ (Figura 2).



(Figura 3)

Mbajeni aspiratorin e kuzhinës te trupi i tij dhe vendoseni te vidat e montimit në mur dhe shtrëngojini vidat (Figura 3).

Fiksojeni aspiratorin e kuzhinës në mur me një vidë $5,5 \times 60$ nga vrima e montimit që gjenden në anën e brendshme të pajisjes (Figura 3).

5 Montimi i pajisjes

5.4 Lidhja me oxhakun

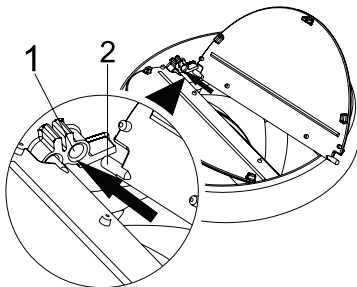
Nëse do të përdorni reduktorin plastik të oxhakut \varnothing 120/150 mm, lidhni njërin skaj të tubit me këtë reduktor, nëse nuk do ta përdorni, drejtpërdrejt te gryka dalje e produktit. Lidhni anën tjetër të tubit me oxhakun. Kontrolloni që këto dy lidhje të jenë shtrënguar mjaftueshëm që të mos dalin nga vendi kur pajisja të punojë me tërë fuqinë. Kontrolloni nëse fletët brenda oxhakut funksionojnë pasi janë kapur me mbërthecka. Lidhni tubin bashkues me oxhakun nga ana e jashtme e reduktorit (Figura 5/a). Nëse tubi bashkues vendoset brenda reduktorit, nuk do të thithet ajri pasi fletët e oxhakut që pengojnë rikthimin e ajrit do të qëndrojnë të mbyllura (Figura 5/b). Gjatësia e tubit bashkues si edhe numri i bërthylave duhet të jenë sa më minimale.

A : Tubi dalës i oxhakut

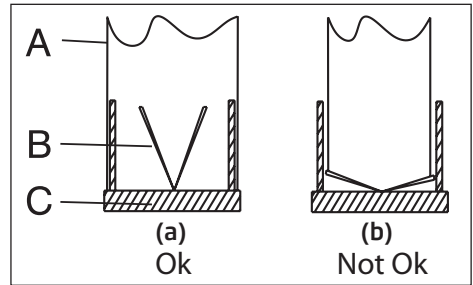
B : Fletët që hapen vetëm nga njëra anë

C: Reduktori plastik

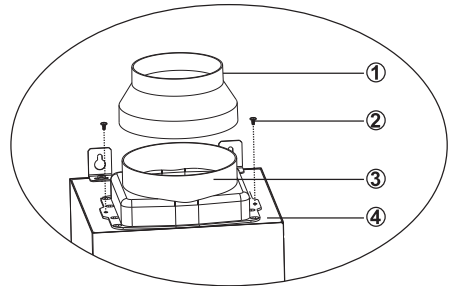
Valvulat mbylLEN kur pajisja nuk punon dhe pengon që erërat dhe pluhurat nga jashtë të mos hyjnë brenda.



(Figura 4)



(Figura 5)



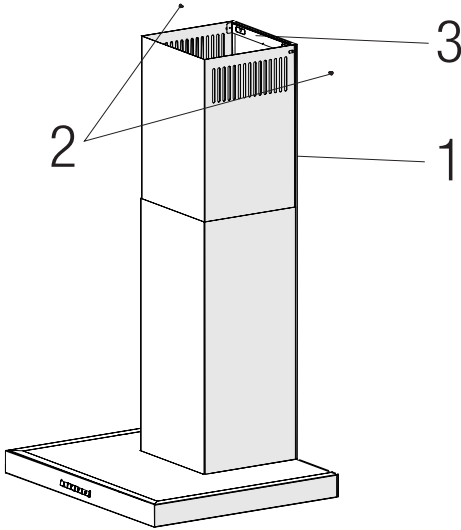
(Figura 6)

5.5 Montimi i aspiratorit me oxhakun

Bëni lidhjen elektrike të aspiratorit para se të filloni montimin e oxhakut. Hiqini pllakëzat e oxhakut që janë përreth trupit duke i rrëshqitur.

Montojeni oxhakun te pllaka bashkuese e oxhakut që është mbërthyer në mur duke e vendosur nga cepat e tij të jashtëm që ndodhen sipër (Figura 7).

5 Montimi i pajisjes

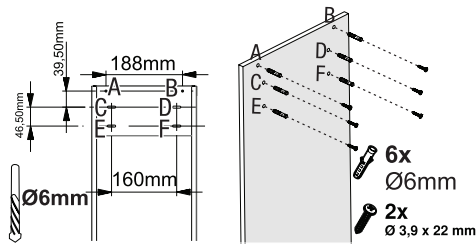


(Figura 7)

1. Oshaku i brendshëm
2. Vidë 3.5x9.5
3. Plaka bashkuese e oxhakut

5.6 Montimi i diafragmës së ajrit

Kur përdoret filtri prej karboni, bashkë me pajisjen ju jepet edhe një diafragmë ajri me qëllimin për të rinxjerrë ajrin që pastrohet nga filtri prej karboni nga e çara që ndodhet në oxhak. Montojeni diafragmën e ajrit si më poshtë.



(Figura 8)

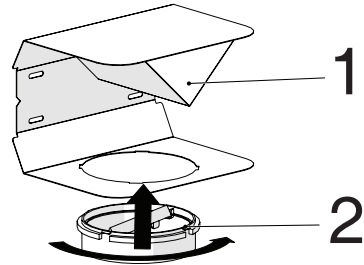
Ka një gjuhëzë në mes të pllakës bashkuese të oxhakut. Vendoseni mesin e kësaj gjuhëze te vija që është vizatuar pingul në mur. Drejtojeni

horizontalisht dhe shënoni me stilolaps vrimat ku do të montohet pllaka bashkuese (Figura 8/A, B).

Hapni vrimat të vendet e shënuara me punto Ø6mm dhe futni dy upa plastike Ø6mm te vrimat e hapura (Figura 8/A, B).

Fiksoni në mur pllakën bashkuese të oxhakut me vidat 3.9x22. (Figura 8/A, B).

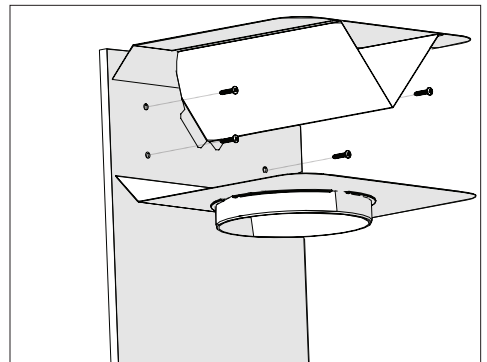
Për të montuar diafragmën e ajrit, hapni vrima në pikat C, D, E, F me punto Ø6mm dhe futni upat plastike Ø6mm (Figura 8).



(Figura 9)

1. Diafragma e ajrit
2. Reduktori plastik

Futni reduktorin plastik të oxhakut, i cili përfshihet në paketim, në drejtim të diafragmës së ajrit. Bllokojeni reduktorin plastik duke e rrotulluar në drejtim të shigjetës (Figura 9).

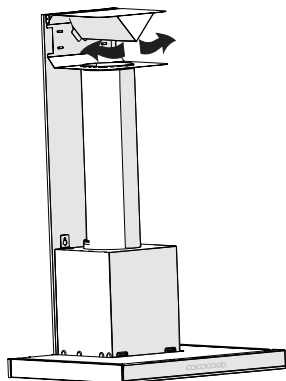


(Figura 10)

5 Montimi i pajisjes

Montojeni grupin e diafragmës së ajrit me vidat 3.9 x 22 në pikat C, D, E, F që keni përgatitur tashmë (Figura 8).

Montoni trupin e aspiratorit (Figura 1).



(Figura 11)

1. Tubi shkarkues i ajrit prej alumini

Bëni montimin e tubit shkarkues të ajrit (Figura 11).



Meqë përdredhjet dhe përkuljet e tubit të aluminit do të bëjnë që të reduktohet fuqia e thithjes së ajrit, shmangini sa më shumë këto përdredhje dhe përkulje.

Montoni pllakëzat mbajtëse të aspiratorit (Figura 7)

6 Zgjidhja e problemeve

Zgjidhja e problemeve	Arsyeja	Ndihma
Produkti nuk punon.	Kontrolloni siguresën.	Siguresa mund të jetë e mbyllur, vendoseni në punë.
Produkti nuk punon.	Kontrolloni lidhjen elektrike.	Voltazhi i rrjetit elektrik duhet të jetë 220-240 V.
Produkti nuk punon.	Kontrolloni lidhjen elektrike.	Kontrolloni nëse punojnë apo jo produktet e tjera në kuzhinën tuaj.
Llamba nuk punon.	Kontrolloni lidhjen elektrike.	Voltazhi i rrjetit elektrik duhet të jetë 220-240 V.
Llamba nuk punon.	Kontrolloni çelësin e llambës.	Çelësi i llambës duhet të jetë në pozicionin e ndezjes.
Llamba nuk punon.	Kontrolloni llambat.	Llambat e produktit nuk duhet të jenë me defekte.
Hyrja e ajrit të produktit ka probleme.	Kontrolloni filtrin e aluminit.	Filtri i aluminit për vajin duhet të pastrohet të paktën një herë në muaj në kushte normale.
Hyrja e ajrit të produktit ka probleme.	Kontrolloni kanalin e ventilimit të ajrit.	Kanali i ventilimit të ajrit duhet të jetë në pozicionin e ndezjes.
Hyrja e ajrit të produktit ka probleme.	Kontrolloni filtrin e karbonit.	Për produktet me filtra karboni, filtri duhet të ndërrohet normalisht çdo 3 muaj.

Nejprve si přečtěte tento návod k použití!





Vážený zákazníku,

Děkujeme, že jste si vybrali tento produkt značky Beko. Doufáme, že s tímto spotřebičem, který byl vyroben s využitím vysoce kvalitní a moderní technologie, dosáhnete těch nejlepších výsledků. Z tohoto důvodu si před použitím spotřebiče pečlivě přečtěte celý návod k použití a jakékoli doplňující dokumenty a uchovejte je pro budoucí použití. Pokud spotřebič předáte další osobě, rovněž jí předejte návod k použití. Dodržujte pokyny a věnujte pozornost všem informacím a varováním uvedeným v návodu k použití.

Nezapomeňte, že se tento návod může vztahovat i k několika jiným modelům. Rozdíly mezi modely jsou v návodu výslovně popsány.

Význam symbolů

V různých částech tohoto návodu k použití jsou použity následující symboly:

	Důležité informace a užitečné tipy k použití.
	VAROVÁNÍ: Upozornění na nebezpečné situace týkající se ohrožení života a majetku.
	Varování před nebezpečím požáru.
	Varování před úrazem elektrickým proudem.



**RECYKLOVANÝ A
RECYKLOVATELNÝ
PAPÍR**

Tento spotřebič byl vyroben v ekologicky šetrných a moderních zařízeních bez negativního dopadu na životní prostředí.

1 Důležité pokyny z hlediska bezpečnosti a životního prostředí

1.1 Obecné bezpečnostní pokyny

Důležité bezpečnostní pokyny, přečtete si je pozorně a uchovejte pro pozdější použití

Tento oddíl obsahuje bezpečnostní pokyny, které vám pomohou ochránit před vznikem požáru, zásahem elektrickým proudem, následky unikající mikrovlnné energie, zraněním osob nebo poškozením majetku. Nedodržení těchto pokynů zruší platnost záruky.

- Výrobky značky Beko splňují platné bezpečnostní normy; proto v případě jakéhokoli poškození spotřebiče nebo napájecího kabelu musí být provedena oprava nebo výměna prodejcem, servisním centrem nebo odborníkem z autorizovaného servisu, aby se předešlo nebezpečí. Chybná nebo neodborná oprava může být nebezpečná pro uživatele.
- Toto zařízení je určeno pouze pro domácí a podobné použití, například:

- v prostorách kuchyňského personálu v obchodech, kancelářích a dalších pracovních prostředích;
 - na farmách;
 - klienty v hotelech a dalších typech obytného prostředí;
 - v prostředí typu Bed and Breakfast.
- Spotřebič používejte pouze k určenému účelu, jak je popsáno v tomto návodu.
 - Výrobce nenes odpovědnost za žádné škody plynoucí z nesprávné instalace či nevhodného způsobu použití spotřebiče.
 - Tento spotřebič mohou používat děti starší 8 let a osoby s omezenými tělesnými, smyslovými nebo mentálními schopnostmi anebo osoby bez příslušných znalostí a zkušeností, pokud jsou pod dozorem nebo byly poučeny o bezpečném užívání tohoto přístroje a chápou související nebezpečí.
 - Děti si se spotřebičem nesmí hrát. Čištění a údržba nesmí být prováděny dětmi bez dohledu dospělé osoby.

1 Důležité pokyny z hlediska bezpečnosti a životního prostředí

- Minimální vzdálenost mezi nosnými plochami varných nádob na varné desce a nejnižší stranou výrobku musí být nejméně 65 cm.
- Pokud v návodu k instalaci plynové desky najdete větší vzdálenost, je nutno postupovat podle toho.
- Zkontrolujte, zda vaše napájení odpovídá informacím uvedeným na štítku spotřebiče.
- Nikdy nepoužívejte spotřebič, pokud je poškozen napájecí kabel nebo spotřebič.
- Předejděte poškození napájecího kabelu zabráněním jeho zmáčknutí, ohnutí nebo odírání o ostré hrany. Napájecí kabel udržujte mimo horké povrchy a otevřený oheň.
- Spotřebič zapojte pouze do uzemněné zásuvky.
- **VAROVÁNÍ:** Nezapojte spotřebič do sítě, dokud není instalace zcela dokončena.
- Spotřebič umístěte tak, aby byla zástrčka vždy přístupná.
- Nedotýkejte se žárovek, pokud jsou v provozu delší dobu. Mohou spálit ruce, protože budou horké.
- Dodržujte předpisy stanovené příslušnými úřady o vypouštění odpadního vzduchu (toto upozornění se nevztahuje na použití bez kouřovodu).
- Spusťte spotřebič po umístění hrnce, pánve apod. na varnou desku. V opačném případě může vysoká teplota způsobit deformaci některých částí výrobku.
- Před sejmutím hrnce, pánve apod. vypněte varnou desku.
- Nenechávejte na varné desce horký olej. Nádobý s horkým olejem mohou způsobit samovznícení.
- Dávejte pozor na záclony a závěsy, protože olej se může při smažení některých potravin, jako jsou hranolky, vznítit.
- Tukový filtr musí být vyměněn nejméně jednou měsíčně. Uhlíkový filtr musí být vyměněn nejméně každé 3 měsíce.
- Spotřebič musí být čištěn v souladu s návodem k použití. Pokud

1 Důležité pokyny z hlediska bezpečnosti a životního prostředí

čištění nebylo provedeno v souladu s návodem k použití, může hrozit nebezpečí požáru.

- Namísto stávajícího filtru nepoužívejte filtrační materiály neodolné proti ohni.
- Používejte pouze originální části doporučené výrobcem.
- Neprovozujte spotřebič bez filtru a neodstraňujte filtry, když je spotřebič spuštěn.
- V případě, že dojde k zapálení plamene, vypněte napájení spotřebiče a vařičů.
- V případě, že dojde k zapálení plamene, plamen zakryjte a nikdy k jeho hašení nepoužívejte vodu.
- Spotřebič odpojte před každým čištěním a v případě, že jej nepoužíváte.
- Podtlak v místnosti nesmí překročit 4 Pa (4 x 10 bar), zatímco digestoř pro elektrickou varnou desku a spotřebiče pracující na jiném typu energie, než je elektřina, pracují současně.
- V prostředí, kde je spotřebič používán, musí být odvětrávání zařízení běžících na topném oleji

nebo plynu, jako je teplovzdušný ventilátor, naprosto izolováno nebo zařízení musí být hermetického typu.

- Při připojování kouřovodu použijte trubky o průměru 120 nebo 150 mm. Připojení trubek musí být co nejkratší a mít co nejméně záhybů.

Riziko zadušení! Všechny obaly uchovejte mimo dosah dětí.

UPOZORNĚNÍ: Přístupné součástky se mohou zahřát při použití s vařiči.

- Vývod spotřebiče nesmí být připojen ke vzduchovodům, do kterých je vyveden jiný kouř.
- Ventilace v místnosti může být nedostatečná, pokud je digestoř pro elektrickou varnou desku používána současně se zařízeními na plyn nebo jiná paliva (to neplatí pro spotřebiče, které vypouštějí vzduch zpět do místnosti).
- Předměty umístěné na spotřebiči mohou spadnout. Na spotřebič neumisťujte žádné předměty.
- Pod spotřebičem nikdy neřezávejte.

1 Důležité pokyny z hlediska bezpečnosti a životního prostředí

VAROVÁNÍ: Před instalací digestoře odstraňte ochranné fólie.

- Nikdy nenechávejte obnažený plamen pod digestoří, která je zapnutá.
- Pánve na smažení je nutno během používání stále sledovat: přehřátý olej může vzplanout.

1.2 Shoda se směrnicí OEEZ a likvidace výrobku:

Tento výrobek splňuje požadavky směrnice EU OEEZ (2012/19/EU). Tento výrobek je označen symbolem pro třídění elektrického a elektronického odpadu (OEEZ).



Tento symbol znamená, že příslušný výrobek na konci jeho životnosti nesmí být likvidován spolu s jiným domácím odpadem. Použité zařízení musíte odnést do oficiální sběrně pro recyklaci elektrických a elektronických zařízení. Obratě se na místní úřady nebo na prodejce, u kterého jste si zařízení zakoupili, a informujte se o umístění sběrných zařízení. Každá domácnost hraje důležitou roli ve sběru a recyklaci starých zařízení.

Správná likvidace starého zařízení pomáhá předejít možným negativním následkům pro životní prostředí a lidské zdraví.

1.3 Dodržování směrnice RoHS

Výrobek, který jste zakoupili, splňuje požadavky směrnice EU RoHS (2011/65/EU). Neobsahuje škodlivé ani zakázané materiály specifikované ve směrnici.

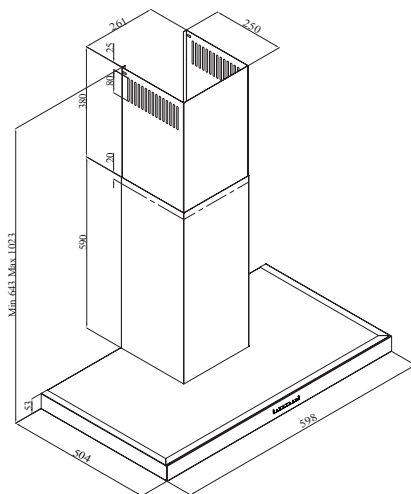
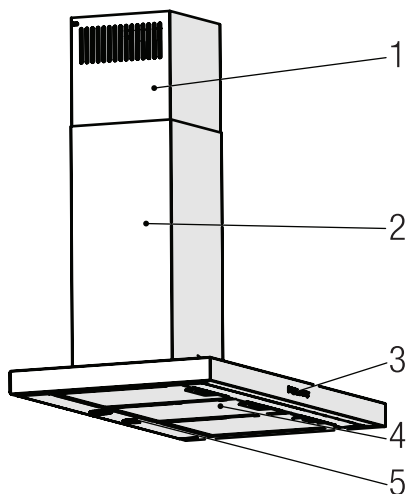
1.4 Informace o balení



Obalové materiály produktu jsou vyrobeny z recyklovatelných materiálů v souladu s naší národní legislativou na ochranu životního prostředí. Obalové materiály nelikvidujte společně s domácím nebo jiným druhem odpadu. Odvezte je na sběrné místo obalových materiálů určené místními úřady.

2 Celkový vzhled

2.1 Přehled







1. Vnitřní kouřovod
2. Vnější kouřovod
3. Ovládací panel
4. Hliníkové olejové filtry
5. Osvětlení oblasti vaření

2.2 Technické údaje

Model	BHCB 61632 XH
Napájecí napětí	220-240V ~ 50 Hz
Příkon žárovky	2 x 3 W
Příkon motoru	210 W
Rychlost proudění – 3. úroveň	612 m ³ /h
Třída izolace motoru	Třída F
Třída izolace	Třída I

3 Používání spotřebiče

3.1 Ovládání spotřebiče

			
A	B	C	D
TLAČÍTKO	FUNKCE		
A : 1. Tlačítko stupně	Spotřebič pracuje s 1. rychlostí. Po dalším stisknutí tohoto tlačítka se spotřebič vypne, zobrazení stupně rychlosti se vypne.		
B : 2. Tlačítko stupně	Spotřebič pracuje s 2. rychlostí. Po dalším stisknutí tohoto tlačítka se spotřebič vypne, zobrazení stupně rychlosti se vypne.		
C : Tlačítko 3. stupně	Spotřebič pracuje se 3. rychlostí. Po dalším stisknutí tohoto tlačítka se spotřebič vypne, zobrazení stupně rychlosti se vypne.		
D : Zapnutí/vypnutí světla	Stisknutím tohoto tlačítka osvětlíte oblast vaření. Chcete-li osvětlení vypnout, stiskněte tlačítko znovu.		

3.2 Energeticky účinný provoz z hlediska úspory Použití

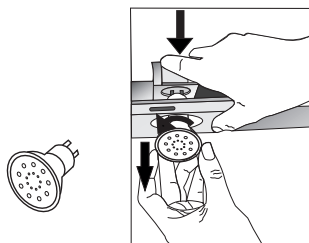
- Při používání spotřebiče upravte nastavení rychlosti podle intenzity páry a zápachu, abyste ušetřili energii.
- Za normálních podmínek používejte nízké rychlosti (1–2) a vysokou rychlost (3) používejte pro intenzivní zápach a páry.
- Žárovky jsou na digestoři umístěny za účelem osvětlení oblasti vaření.
- Jejich používání na osvětlení většího prostoru povede ke zbytečné spotřebě energie a k nedostatečnému osvětlení.

3.3 Pokyny k použití

- Váš spotřebič má motor, který pracuje různými rychlostmi.
- Pro dosažení lepší výkonnosti doporučujeme za normálních podmínek používat nízké rychlosti a vysoké rychlosti používat v případě silných zápachů a intenzivních par.
- Spotřebič můžete zapnout stisknutím tlačítka požadované rychlosti. (A, B, C)
- Oblast vaření osvětlíte stisknutím tlačítka osvětlení (D).

3 Používání spotřebiče

3.4 Výměna žárovky



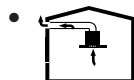
MAX 3 W

Připojte spotřebič k elektrické síti. Váš spotřebič používá bodovou LED žárovku 3 W. Při výměně žárovek zatlačte na držák směrem dozadu, otočte jím proti směru hodinových ručiček a vyjměte jej směrem dolů. Použijte výše uvedený postup obráceně a vložte nové žárovky.

Žárovka	
Příkon žárovky	3 W
Držák/objímka	GZ 10
Napětí žárovky	220 - 240 V
Velikost	53 x 50 mm
Kód ILCOS	DR/F3-220-240-GZ10-50-53
Světelný tok	250 lm
Související teplota barvy	3000 K

Tento výrobek obsahuje světelný zdroj třídy energetické účinnosti "F".

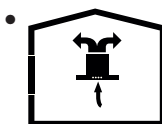
3.5 Používání s připojením ke kouřovodu



Pára je odsávána potrubím kouřovodu, které je upevněno k připojovací hlavě na digestoři.

- Průměr potrubí kouřovodu musí být stejný jako u připojovacího prstence. Při vodorovném nastavení musí mít potrubí mírný sklon směrem nahoru (kolem 10°), aby mohl vzduch snadněji odcházet z místnosti.

3.6 Používání bez připojení ke kouřovodu



Vzduch se filtruje přes uhlíkový filtr a recirkuluje v místnosti. Uhlíkový filtr se používá, když není v domě možné použít kouřovod.

- Při použití bez kouřovodu vyjměte klapky uvnitř adaptéru kouřovodu.
- Vyjměte olejový filtr. Chcete-li nainstalovat uhlíkový filtr, nasadte filtr na příchytky vystředěním na plastový díl na obou stranách tělesa ventilátoru. Utáhněte jej otáčením doprava nebo doleva.
- Vyměňte hliníkový olejový filtr.

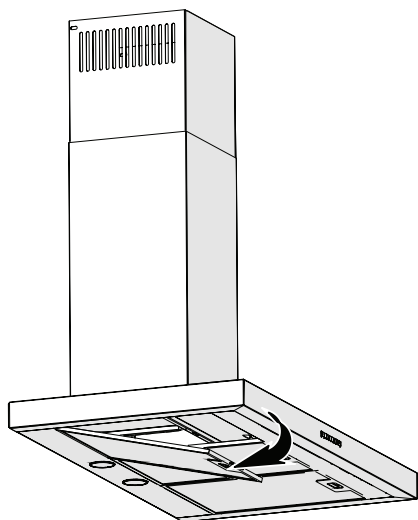
4 Čištění a údržba



Před čištěním a údržbou výrobek odpojte nebo vypněte spínačem.

4.1 Čištění hliníkových olejových filtrů

Hliníkový olejový filtr se používá k zadržení olejových částic ve vzduchu. Hliníkové filtry mohou po opakovaném čištění změnit barvu. Je to normální a neznamená to potřebu výměny vašich filtrů.



- Zatlačte zámek hliníkového olejového filtru dopředu.
- Potom jej lehce táhněte dolů a vytáhněte ven. Jinak se může filtr ohnout. Hliníkové olejové filtry omyjte a opláchněte tekutým čisticím prostředkem a vraťte je do jejich lůžek provedením výše uvedených kroků v opačném pořadí. Tyto hliníkové olejové filtry se používají k zadržení olejových částic ve vzduchu.

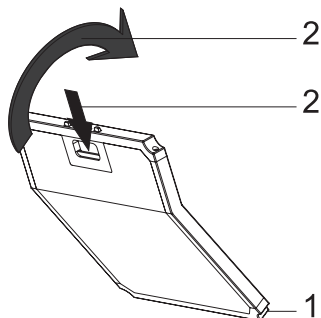


Hliníkové olejové filtry můžete také mýt v myčce.



UPOZORNĚNÍ: V případě běžného používání hliníkový olejový filtr vyčistěte jednou za měsíc.

4.2 Výměna uhlíkových filtrů



- Spotřebič, který jste si zakoupili, je vhodný pro použití s uhlíkovými filtry.
- Vyjměte hliníkové olejové filtry.
- Umístěte spodní část uhlíkového filtru do krytu motoru.
- Stiskněte příchytku uhlíkového filtru a zatlačte jej dopředu a ujistěte se, že jsou příchytky uhlíkového filtru zasunuty a uzamčeny.
- Připevněte hliníkové olejové filtry.



UPOZORNĚNÍ

- Uhlíkový filtr se nesmí nikdy mýt.
- Uhlíkové filtry vyměňte jednou za 3 měsíce.
- Uhlíkový filtr můžete získat v autorizovaných servisech.

5 Instalace spotřebiče



UPOZORNĚNÍ: Před zahájením instalace si přečtěte bezpečnostní informace v uživatelské příručce.

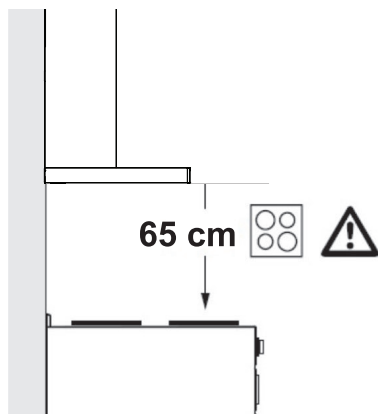


UPOZORNĚNÍ: Pokud nebudete šrouby a stabilizátory instalovat podle těchto pokynů, může dojít k úrazu elektrickým proudem.

Chcete-li si nechat digestoř nainstalovat, obraťte se na nejbližší autorizovaný servis.

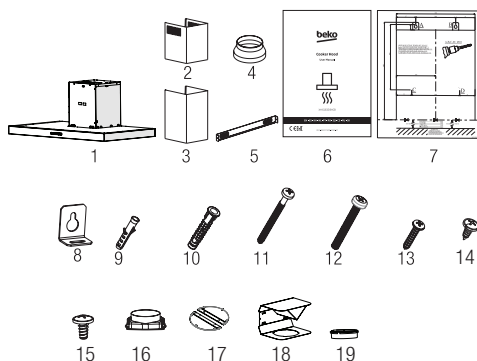
Za přípravu místa a elektrickou instalaci pro digestoř odpovídá zákazník.

5.1 Umístění spotřebiče



- Před instalací je nutno zvážit vzdálenost mezi sporákem a digestoří. Tato vzdálenost by měla být 65 cm.
- U plynových sporáků se vzdálenost musí měřit od povrchu roštu,
- u elektrických sporáků od povrchu skla.

5.2 Instalace příslušenství



1. Výrobek
2. Vnitřní kouřovod
3. Vnější kouřovod
4. Adaptér kouřovodu Ø150/120 mm
5. Deska pro připojení kouřovodu
6. Uživatelská příručka
7. Instalační plánek
8. 6x závěsná deska
9. 6x plastová hmoždinka Ø6 mm
10. 3x plastová hmoždinka Ø10 mm
11. 3x šroub pro upevnění na stěnu 5,5x60
12. 2x šroub pro připojení závěsné desky M5x35
13. 6x šroub desky pro připojení kouřovodu 3,9x22
14. Šroub pro připojení komína 2x 3,5x9,5
15. 2x slepý šroub 3,5 x 9,5
16. Plastový adaptér (čtvereční na kulatý)
17. Zpětný ventil
18. Vzduchová clona
19. Plastový adaptér (odváděč vzduchu)

Níže jsou uvedeny informace potřebné k určení umístění vhodného pro instalaci digestoře.

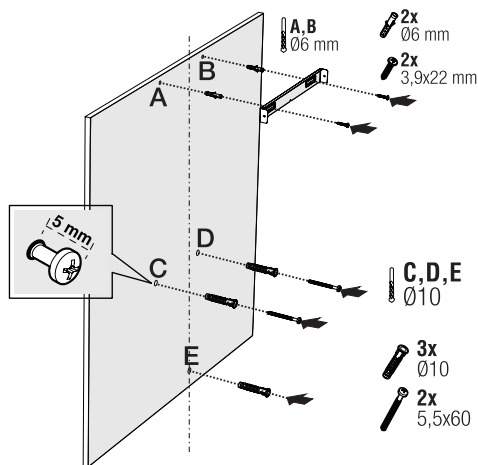
5.3 Instalace na stěnu

Stěna musí být plochá, rovná a musí mít dostatečnou nosnost.

Hloubka navrtaných otvorů musí být v souladu s délkou šroubů.

5 Instalace spotřebiče

Dodané šrouby a hmoždinky jsou vhodné pro cihlové zdi. Pro jiný stavební materiál (např. sádkarton, desky, porézni beton) musí být použity vhodné upevňovací hmoždinky a matice.



(Obrázek č. 1)



UPOZORNĚNÍ: Před vrtáním se ujistěte, že v těsné blízkosti vrtaných míst nejsou žádná vedení elektřiny, plynu nebo vody.

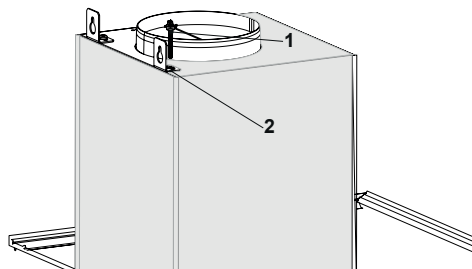
Od stropu nakreslete středovou čáru kolmo ke spodnímu okraji digestoře.

Upevněte na stěnu instalační šablonu. U bodů A a B vezměte jako referenční rozměry maximální rozměry digestoře, a vyvrtejte body A a B, které jste si označili, vrtákem $\text{Ø}6$ mm a vložte plastové hmoždinky $\text{Ø}6$ mm. Desku pro připojení kouřovodu připevněte ke stěně pomocí 2 šroubů $3,9 \times 22$ mm (Obrázek č. 2).

Chcete-li nainstalovat těleso digestoře, vyvrtejte pomocí vrtáku $\text{Ø}10$ mm body C, D, E uvedené v instalační šabloně a vložte do těchto otvorů plastové hmoždinky $\text{Ø}10$ mm (obrázek 8).

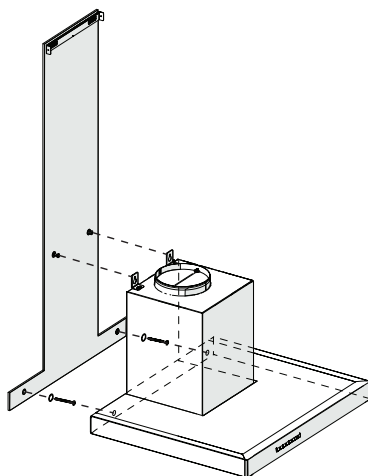
Našroubujte 2 kusy montážních šroubů $5,5 \times 60$ do otvorů C a D s vůlí 5 mm mezi hlavou šroubu a

stěnou (obrázek 8).



(Obrázek č. 2)

Nainstalujte k tělesu digestoře pomocí montážních šroubů $M5 \times 35$ dva kusy závěsných desek (obrázek 8).



(Obrázek č. 3)

Držte digestoř za její těleso a umístěte ji na upevňovací šrouby na stěně a utáhněte šrouby (Obrázek č. 3).

Zajistěte digestoř na stěně pomocí šroubu $5,5 \times 60$ instalačním otvorem na vnitřní straně spotřebiče (Obrázek č. 3).

5 Instalace spotřebiče

5.4 Připojení ke kouřovodu

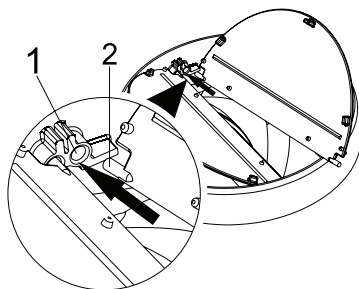
Pokud se chystáte použít plastový adaptér kouřovodu Ø120/150 mm, připojte jeden konec potrubí k tomuto adaptéru. Pokud adaptér nebudete používat, připojte jeden konec potrubí přímo k výstupu na výrobku. Druhý konec potrubí připojte k vašemu kouřovodu. Zkontrolujte, zda jsou tyto dva spoje natolik těsné, že nedojde k jejich uvolnění, když bude spotřebič pracovat na plný výkon. Zkontrolujte, zda klapky uvnitř kouřovodu fungují, když jsou utaženy svorkami. Připojte připojovací potrubí kouřovodu na vnější stranu adaptéru (Obrázek č. 5/a). Je-li připojovací potrubí nainstalováno na vnitřní straně adaptéru, nemůže dojít k sání vzduchu, protože kouřová klapka, která brání návratu vzduchu, zůstane uzavřená (Obrázek č. 5/b). Délka připojení potrubí i počet kolen musí být co nejmenší.

A: potrubí odtahu kouře

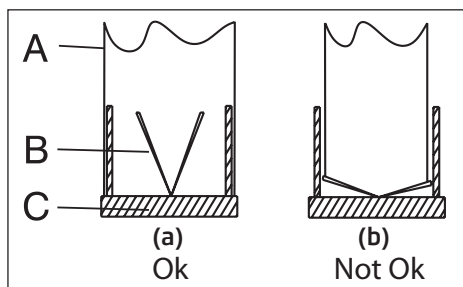
B: zpětné klapky

C: plastový kouřovod

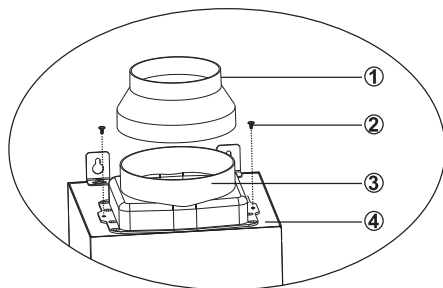
Když spotřebič nepracuje, klapky jsou zavřené a zabráňují vniknutí možného vnějšího zápachu a prachu dovnitř.



(Obrázek č. 4)



(Obrázek č. 5)



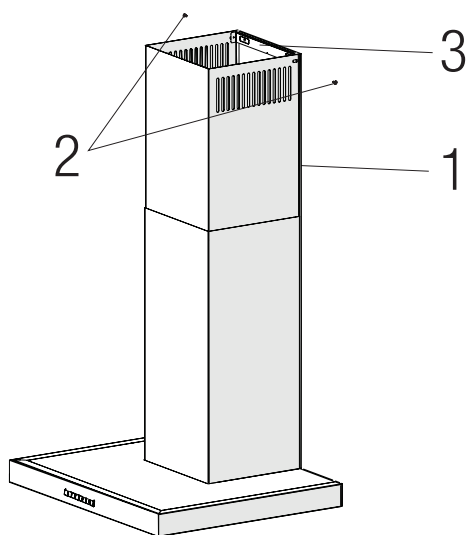
(Obrázek č. 6)

5.5 Instalace digestoře ke kouřovodu

Před zahájením instalace kouřovodu proveďte elektrické připojení digestoře. Nasuňte desky kouřovodu kolem tělesa.

Nainstalujte desku kouřovodu na upevňovací desku kouřovodu, která je připevněna ke stěně z jejich horních vnějších okrajů (Obrázek č. 7).

5 Instalace spotřebiče

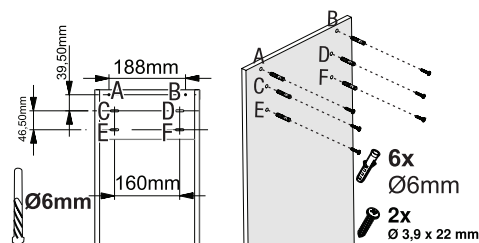


(Obrázek č. 7)

1. Vnitřní kouřovod
2. Šroub 3,5x9,5
3. Deska pro připojení kouřovodu

5.6 Instalace usměřovače proudu vzduchu

Pokud se používá uhlíkový filtr, je s vaším spotřebičem dodáván usměřovač proudu vzduchu, jehož účelem je opětovné uvolnění vzduchu, vyčištěného uhlíkovým filtrem, z děrované oblasti na kouřovodu. Nainstalujte usměřovač proudu vzduchu dle níže uvedeného postupu.



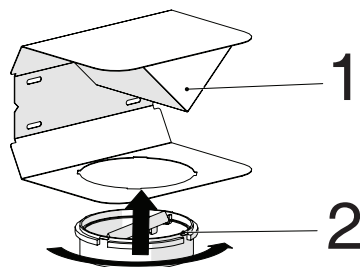
(Obrázek č. 8)

Uprostřed desky pro připojení kouřovodu je příchytka. Umístěte střed této příchytky na čáru, která je nakreslena kolmo ke stěně. Vyrovnajte vodorovně a pomocí tužky označte otvory, kde bude upevněna deska pro připojení (Obrázek č. 8/A, B).

Vyvrtejte označené body vrtákem o $\varnothing 6$ mm a do vyvrtaných otvorů vložte dvě plastové hmoždinky o $\varnothing 6$ mm (Obrázek č. 8/A, B).

Desku pro připojení kouřovodu připevněte ke stěně pomocí šroubů 3,9x22 (Obrázek č. 8/A, B).

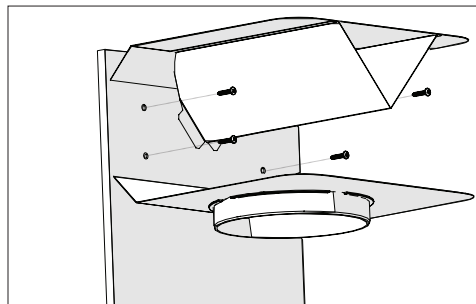
Při instalaci usměřovače proudu vzduchu vyvrtejte body C, D, E, F vrtákem $\varnothing 6$ mm vložte plastové hmoždinky $\varnothing 6$ mm (Obrázek č. 8).



(Obrázek č. 9)

1. usměřovač proudu vzduchu
2. plastový kouřovod

Připevněte plastový adaptér kouřovodu, který je součástí balení, ve směru usměřovače proudu vzduchu. Uzamkněte adaptér kouřovodu otočením ve směru šipky (Obrázek č. 9).

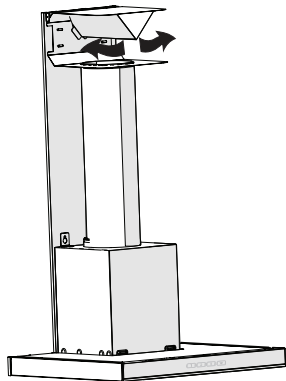


(Obrázek č. 10)

5 Instalace spotřebiče

Nainstalujte skupinu usměrňovače proudu vzduchu pomocí šroubů 3,9x22 z bodů C, D, E, F, které jste již připravili (Obrázek č. 8).

Nainstalujte těleso digestoře (Obrázek č. 1).



(Obrázek č. 11)

1. hliníkové potrubí odvodu vzduchu

Proveďte instalaci potrubí odvodu vzduchu (Obrázek č. 11).



Protože zákruty a ohyby v hliníkové potrubí povedou ke snížení sacího výkonu vzduchu, vyhněte se používání zákrutů a ohybů, jak je to jen možné.

Proveďte instalaci desek kouřovodu digestoře (Obrázek č. 7)

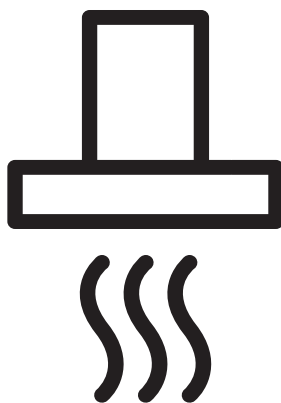
6 Řešení problémů

Řešení problémů	Důvod	Pomoc
Produkt nefunguje.	Zkontrolujte pojistky.	Vaše pojistka může být vybitá, zprovozněte ji.
Produkt nefunguje.	Zkontrolujte elektrické připojení.	Síťové napětí má být mezi 220-240 V.
Produkt nefunguje.	Zkontrolujte elektrické připojení.	Zkontrolujte, zda fungují ostatní výrobky v kuchyni.
Lampa osvětlení nefunguje.	Zkontrolujte elektrické připojení.	Síťové napětí má být mezi 220-240 V.
Lampa osvětlení nefunguje.	Zkontrolujte spínač lampy.	Spínač lampy musí být v poloze "zapnuto".
Lampa osvětlení nefunguje.	Zkontrolujte lampu.	Lampy produktu nesmí být vadné.
Přívod vzduchu do výrobku je slabý.	Zkontrolujte hliníkový filtr.	Hliníkový filtr na olej za obvyklého používání je třeba vyčistit alespoň jednou za měsíc.
Přívod vzduchu do výrobku je slabý.	Zkontrolujte kryt vzduchovodu.	Vzduchovod musí být v poloze "zapnuto".
Přívod vzduchu do výrobku je slabý.	Zkontrolujte uhlíkový filtr.	U výrobků s uhlíkovými filtry filtr obvykle vyměňujete každé 3 měsíce.



Вытяжка

Руководство пользователя



ВНСВ 61632 ХН

RU

Ознакомьтесь с этим руководством перед началом эксплуатации!

Уважаемый покупатель!

Благодарим Вас за выбор этого изделия компании Веко. Мы надеемся, что продукция, изготовленная на современном оборудовании и имеющая высокий уровень качества, будет служить вам наилучшим образом. Для этого, перед началом эксплуатации, внимательно прочтите данное руководство и все прочие сопроводительные документы, и используйте их в дальнейшем в справочных целях. При передаче устройства другому лицу необходимо также передать это руководство. Соблюдайте указания, которые даны в этом руководстве пользователя, и обращайтесь особое внимание на справочные пометки и предупреждения.

Имейте в виду, что данное руководство пользователя может также относиться к другим моделям. Различия между моделями четко описаны в руководстве.

Условные обозначения

В разных разделах данного руководства пользователя используются следующие символы:



Важная информация и полезные советы относительно эксплуатации.



ВНИМАНИЕ: Предупреждения об опасности травмирования или повреждения имущества.



Предупреждение об опасности возникновения пожара.



Предупреждение об опасности поражения электрическим током.



ПЕРЕРАБОТАННАЯ И
ПЕРЕРАБАТЫВАЕМАЯ
БУМАГА

Этот прибор изготовлен на экологически безвредном современном оборудовании, без нанесения ущерба окружающей среде.

1 Важные инструкции по технике безопасности и защите окружающей среды

1.1. Общие правила техники безопасности

Важные инструкции по технике безопасности: внимательно ознакомьтесь и сохраните для дальнейшего использования. В этом разделе содержатся правила техники безопасности, соблюдение которых позволит исключить риск возникновения пожара, поражения электрическим током, воздействия утечек микроволнового излучения, получения иных травм или причинения материального ущерба. При несоблюдении этих правил все гарантийные обязательства аннулируются.

- Изделия торговой марки Веко соответствуют действующим стандартам безопасности. В случае повреждения электроприбора или шнура питания, во избежание

опасных ситуаций, ремонт или замена должны производиться дилером, сервисным центром, специалистом или авторизованной службой. Неправильно или непрофессионально выполненные ремонтные работы могут привести к опасным для пользователя ситуациям.

- Этот прибор предназначен только для бытового и сходного с ним применения, а именно:
 - в кухонных зонах для персонала в магазинах, офисах и других рабочих помещениях;
 - на фермах;
 - в номерах гостиниц, мотелей и т. п.;
 - в помещениях, предоставляемых для проживания на условиях полупансиона.
- Используйте данный электроприбор только

1 Важные инструкции по технике безопасности и защите окружающей среды

по его прямому назначению, как описано в данном руководстве.

- Производитель не несет ответственности за любые повреждения, возникшие в результате неправильного использования или неправильной установки изделия.
- Дети старше 8 лет, а также лица с ограниченными физическими, сенсорными и умственными способностями или без соответствующих навыков и опыта могут использовать данный прибор только под присмотром или после получения инструкций по поводу безопасного использования прибора и осознания связанных с этим опасностей.
- Не позволяйте детям играть с прибором. Не позволяйте детям самостоятельно выполнять очистку и обслуживание прибора.
- Минимальное расстояние между опорной поверхностью емкостей для приготовления пищи на варочной панели и самой нижней частью изделия должно быть не менее 65 см.
- Если в инструкции по установке газовой плиты указано большее расстояние, это следует принять во внимание.
- Напряжение сети питания должно соответствовать номинальным характеристикам, указанным на паспортной табличке электроприбора.
- Ни в коем случае не пользуйтесь электроприбором, если шнур питания или электроприбор повреждены.
- Во избежание повреждения шнура питания не допускайте его сдавливания, перегиба

1 Важные инструкции по технике безопасности и защите окружающей среды

или контакта с острыми кромками. Не допускайте соприкосновения шнура питания с горячими поверхностями или открытым пламенем.

- Включайте прибор только в розетку с заземляющим контактом.

ВНИМАНИЕ: Не подключайте прибор к электросети до полного завершения работ по установке.

- Электроприбор следует располагать таким образом, чтобы штепсельная вилка была легкодоступна.
- Не прикасайтесь к лампам, если они работали в течение длительного времени. Это может вызвать ожог рук, поскольку лампы очень горячие.
- Следуйте инструкциям, установленным компетентными органами относительно выпуска

отработанного воздуха (данное предупреждение касается вентиляционных труб).

- Включите прибор после того, как поставите кастрюлю, сковороду и т. д. на варочную панель. В противном случае высокая температура может привести к деформации некоторых частей изделия.
- Отключайте варочную панель перед тем, как убрать с нее кастрюлю, сковороду и т.д.
- Не оставляйте горячее масло на варочной панели. Сковорода с горячим маслом может стать причиной самовозгорания.
- Следите за шторами и занавесками, поскольку при приготовлении таких блюд, как картофель фри масло может загореться.

- Замену жироулавливателя следует осуществлять, как минимум, раз в месяц. Замену угольного фильтра осуществлять, как минимум, раз в 3 месяца.
- Чистку изделия необходимо выполнять в соответствии с инструкциями руководства пользователя. Если чистка изделия не осуществляется в соответствии с указаниями руководства пользователя, существует риск возникновения пожара.
- Не используйте неогнеупорные фильтрующие материалы вместо текущего фильтра.
- Используйте только оригинальные детали или же рекомендованные производителем детали.
- Не эксплуатируйте изделие без фильтра и не снимайте фильтры во время работы изделия.
- В случае возникновения пожара, отключите питание изделия и кухонной плиты.
- В случае возникновения пожара, накройте источник огня. Применение воды для тушения не допускается.
- Отключайте прибор от электросети перед чисткой, а также когда он не используется.
- Отрицательное давление окружающей среды не должно превышать 4 Па (4 x 10 бар) во время одновременной работы вытяжки для электрической варочной панели и приборов, работающих от другого источника энергии.
- В среде, где используется прибор, выхлопные газы устройств, работающих на жидком топливе или газе, таких как комнатный обогрева-

1 Важные инструкции по технике безопасности и защите окружающей среды

тель, должны быть полностью изолированы, или должны быть герметичными.

- При подсоединении к вытяжной трубе, используйте трубы диаметром 120 или 150 мм. Соединения труб должны быть как можно более короткими и иметь минимальное количество колен.

- Существует опасность удушья! Храните упаковочные материалы в недоступном для детей месте.

О С Т О Р О Ж Н О : Доступные детали прибора могут нагреваться во время использования кухонных плит.

- Выход вытяжки нельзя подключать в воздуховодам, которые заняты отводом других отработанных воздушных масс.
- Вентиляция в помещении может быть недо-

статочной в случае, если вытяжка для электрической варочной панели используется одновременно с устройствами, работающими на газе или других видах топлива (это не относится к приборам, которые только выпускают воздух обратно в помещение).

- Находящиеся на изделии предметы могут упасть. Не следует класть посторонние предметы на вытяжку.
- Фламбирование блюд под изделием не допускается.

ВНИМАНИЕ: Перед началом работ по установке вытяжки удалите защитную пленку.

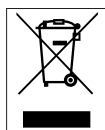
- Никогда не оставляйте открытым высокое пламя под работающей вытяжкой.

1 Важные инструкции по технике безопасности и защите окружающей среды

- Во время использования фритюрниц их необходимо держать под постоянным присмотром: сильно нагретое масло может загореться.

1.2 Соответствие Директиве по утилизации отходов электрического и электронного оборудования и утилизация продукта:

Данное изделие соответствует требованиям Директивы по утилизации отходов электрического и электронного оборудования (2012/19/ЕС). На изделие нанесено условное обозначение для отходов электрического и электронного оборудования (WEEE).



Этот символ означает, что по истечении срока службы данного прибора, он не должен утилизироваться вместе с другими бытовыми отходами. Бывшее в употреблении устройство необходимо сдать в официальный пункт сбора для утилизации электрического и электронного оборудования. Для получения информации о таких пунктах сбора, пожалуйста, свяжитесь с местными органами власти или розничной торговли, по месту покупки настоящего прибора. В вопросах восстановления и утилизации бывших в употреблении приборов каждый конкретный владелец играет важную роль. Надлежащая утилизация использованного бывшего в употреблении прибора помогает предот-

вратить потенциальные негативные последствия для окружающей среды и здоровья человека.

1.3 Соответствие Директиве ЕС по ограничению использования вредных веществ

Приобретенное вами изделие соответствует требованиям Директивы ЕС по ограничению использования вредных веществ (2011/65/ЕС). Устройство не содержит указанных в Директиве вредных веществ и запрещенных материалов.

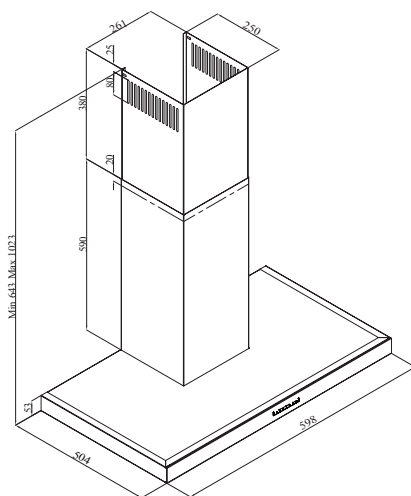
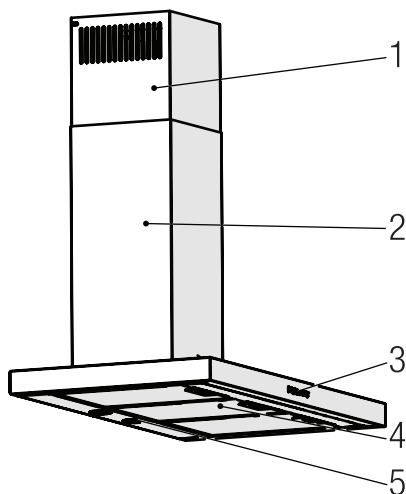
1.4. Информация об упаковке



Упаковочные материалы изделия изготовлены из вторичного сырья, в соответствии с государственными законами об охране окружающей среды. Не выбрасывайте упаковочные материалы вместе с бытовыми или другими отходами. Отнесите их в пункты приема упаковочных материалов, организованные местными органами власти.

2 Общий Вид

2.1 Обзор




1. Внутренний дымоход
2. Внешний дымоход
3. Панель управления
4. Жировой фильтр
5. Освещение

2.2 Технические данные

Модель	ВНСВ 61632 ХН
Номинальное напряжение и частота	220-240В ~ 50 Гц
Мощность лампы	2 x 3 Вт
Мощность двигателя	210 Вт
Поток - 3. Уровень	612 м³/ч
Класс изоляции мотора	Класс F
Класс изоляции	Класс 1

3 Эксплуатация устройства

3.1 Управление Устройством

			
A	B	C	D
КНОПКА	НАЗНАЧЕНИЕ		
A : 1. Ступень	Включает прибор на 1-й скорости. При повторном нажатии этой кнопки для выключения прибора уровень скорости экрана отключается.		
B : 2. Ступень	Включает прибор на 2-й скорости. При повторном нажатии этой кнопки для выключения прибора уровень скорости экрана отключается.		
C : 3. Ступень	Включает прибор на 3-й скорости. При повторном нажатии этой кнопки для выключения прибора уровень скорости экрана отключается.		
D: Вкл / Выкл освещения	Вы можете осветить зону приготовления, нажав эту кнопку. При повторном нажатии данной кнопки лампа выключается.		

3.2 Энергоэффективное использование

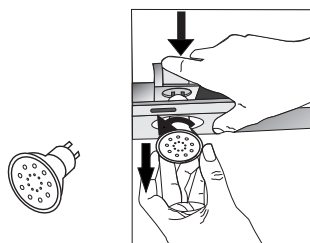
- При использовании вытяжки для экономии электроэнергии устанавливайте скорость в соответствии с интенсивностью образования пара или запаха.
- В обычных условиях используйте низкие скорости (1-2), а при интенсивном образовании пара и запаха – высокую (3).
- Лампы на вытяжке предназначены для освещения места готовки.
- Их использование для освещения помещения приведет к чрезмерному потреблению электроэнергии и будет недостаточным.

3.3 Обращение с вытяжкой

- В вытяжке имеется мотор, работающий на разных скоростях.
- Для лучшей производительности мы рекомендуем использовать низкие скорости в нормальных условиях и высокие скорости в случае сильного запаха и интенсивного пара.
- Вы можете запустить прибор, нажав кнопку желаемой скорости. (A, B, C)
- Вы можете осветить зону приготовления, нажав на лампу (D).

3 Эксплуатация устройства

3.4 Замена ламп



MAX 3 W

Выполните электрические подключения устройства. В вашем приборе используется точечная светодиодная лампа мощностью 3 Вт. Для замены ламп нажмите на держатель вниз, поверните его против часовой стрелки и вытащите его. Выполните описанную выше операцию в обратном порядке, чтобы установить новые лампы.

Лампочка	
Мощность лампочки	3 Вт
Держатель / Гнездо	GZ 10
Напряжение лампочки	220 - 240 В
Размер	53 x 50 см
Код ILCOS	DR/F3-220-240-GZ10-50-53
Световой поток	250 лм
Коррелированная цветовая температура	3000 К

Это изделие содержит источник света класса энергоэффективности F.

3.5 Работа с подключением к дымоходу

-  Пар выводится через дымоход, который крепится к соединительной головке вытяжки.
- Диаметр дымохода должен быть таким же, как у соединительного кольца. В горизонтальном положении труба должна иметь небольшой наклон вверх (около 10°), чтобы воздух мог легко выходить из комнаты.

3.6 Работа без подключения к дымоходу

-  Воздух фильтруется через угольный фильтр и рециркулирует в помещении. Угольный фильтр применяется, когда в доме нельзя использовать дымоход.
- При использовании без дымохода снимите заслонки внутри переходника дымохода.
- Снимите жировой фильтр. Чтобы установить угольный фильтр, прикрепите фильтр к выступам, центрируя его на пластиковом элементе с обеих сторон корпуса вентилятора. Затяните, повернув вправо или влево.
- Заменить жировой фильтр.

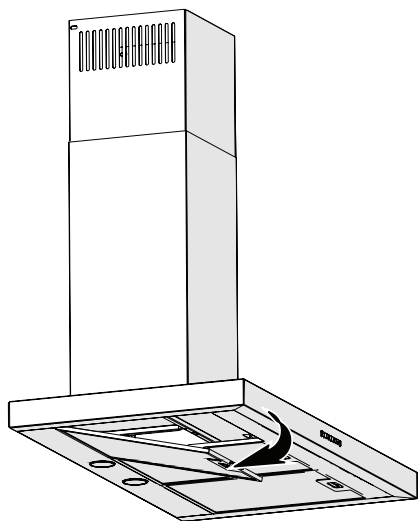
4 Очистка и обслуживание



Отключите устройство от сети или выключите соединения перед чисткой и техническим обслуживанием.

4.1 Очистка жирославливающего фильтра

Жировой фильтр задерживает частицы масла из воздуха. Жировые фильтры могут изменить цвет после многократной очистки. Это нормально и не требует замены фильтров.



- Выдвиньте затвор жирового фильтра вперед.
- Затем слегка потяните вниз и вытащите. Иначе вы можете искривить фильтр. Вымойте и прополощите жировые фильтры жидким моющим средством и замените фильтры в их гнездах, выполнив действия, указанные выше, в обратном порядке. Этот фильтр задерживает частицы масла из воздуха.

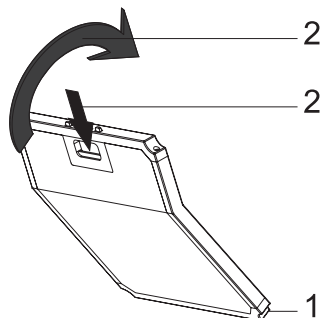


Жировые фильтры можно мыть в посудомоечной машине.



ВНИМАНИЕ: В случае нормальной эксплуатации очищайте фильтр один раз в месяц.

4.2 Замена угольных фильтров



- Приобретенный прибор подходит для использования с угольными фильтрами.
- Снимите жировой фильтр.
- Поместите нижнюю часть угольного фильтра в моторный блок.
- Нажмите на язычок угольного фильтра и протолкните его вперед, убедившись, что язычки угольного фильтра зафиксированы и заблокированы.
- Установите жировой фильтр.

**ВНИМАНИЕ**

- Запрещено мыть угольные фильтры.
- Заменяйте угольные фильтры каждые 3 месяца.
- Вы можете приобрести угольный фильтр в авторизованных сервисах.

5 Установка изделия



ПРЕДУПРЕЖДЕНИЕ:

Перед началом установки прочтите информацию по безопасности в Руководстве пользователя.



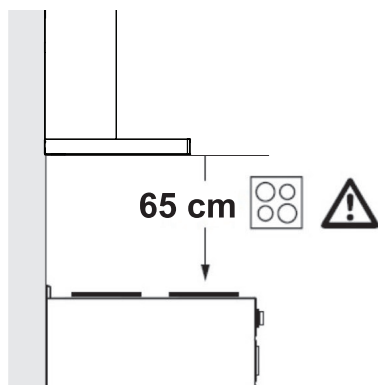
ПРЕДУПРЕЖДЕНИЕ:

Несоблюдение инструкций по установке с помощью винтов и стабилизаторов может привести к поражению электрическим током.

По вопросам установки вытяжки обращайтесь в ближайший авторизованный сервисный центр.

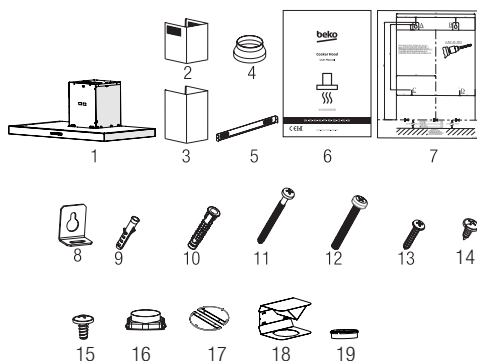
Заказчик несет ответственность за подготовку места и электрического монтажа вытяжки.

5.1 Положение изделия



- Перед сборкой необходимо учитывать расстояние между плитой и вытяжкой. Это расстояние должно составлять 65 см.
- Расстояние необходимо измерять от поверхности решетки для газовых плит,
- от поверхности стекла для электрических плит.

5.2 Аксессуары для установки



1. Прибор
2. Внутренний дымоход
3. Внешний дымоход
4. Пластиковый переходник дымохода Ø150/120 мм
5. Соединительная пластина вытяжной трубы
6. Руководство пользователя
7. Схема сборки
8. 2 x Подвесные пластины
9. Дюбель пластмассовый 2x Ø6mm
10. Дюбель пластмассовый 4x Ø10mm
11. Винт для настенного монтажа 4x5,5x60
12. Соединительный винт подвесной пластины 2x M5x35
13. Соединительный винт для вытяжной трубы 2x 3.9x22
14. Соединительный винт для вытяжной трубы 2x 3.5x9.5
15. Винт-заглушка 2x 3,5X9,5
16. Пластиковый адаптер (квадратно-круглый)
17. Обратный клапан
18. Воздушная перегородка

5 Установка изделия

19. Пластиковый адаптер (воздушный отводчик)

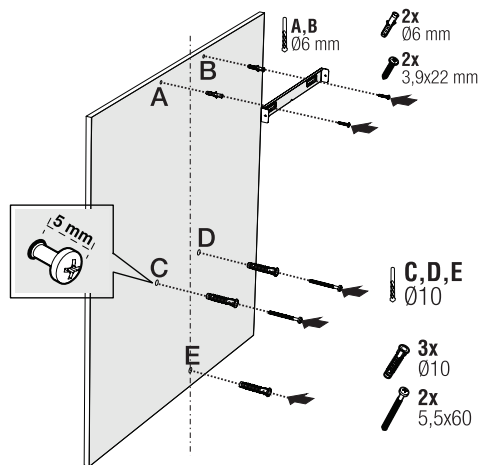
Информация, необходимая для выбора места, подходящего для установки вытяжки, представлена ниже.

5.3 Настенное крепление

Стена должна быть плоской, прямой и иметь достаточную несущую способность.

Длина отверстий для сверления должна соответствовать длине болтов.

Винты и дюбели, поставляемые с изделием, подходят для кирпичных стен. При установке на стенах из других строительных материалов (например, гипсокартона, плиты, пористого бетона) следует использовать подходящие крепежные дюбели и гайки.



(Рисунок 1)



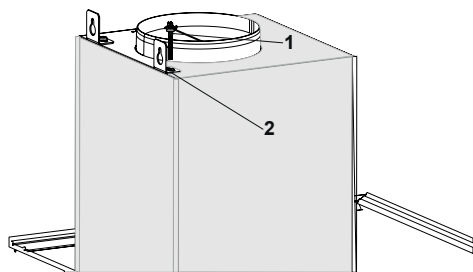
ВНИМАНИЕ: Перед началом сверления убедитесь, что в непосредственной близости от мест сверления нет электрических кабелей, газовых или водопроводных труб.

Нарисуйте среднюю линию от потолка перпендикулярно нижнему краю.

Закрепите схему сборки на стене. Для точек А и В возьмите максимальные размеры вытяжки в качестве справочных и просверлите точки А и В, которые вы отметили сверлом Ø6 мм, и вставьте на пластиковые дюбели Ø6 мм. Прикрепите соединительную пластину дымохода к стене двумя винтами 3,9х22 (Рисунок 2).

Для установки корпуса вытяжки просверлите точки С, D, E указанные в установочном шаблоне, сверлом Ø10 мм и вставьте в эти точки пластиковые дюбели Ø10 мм (Рисунок 2).

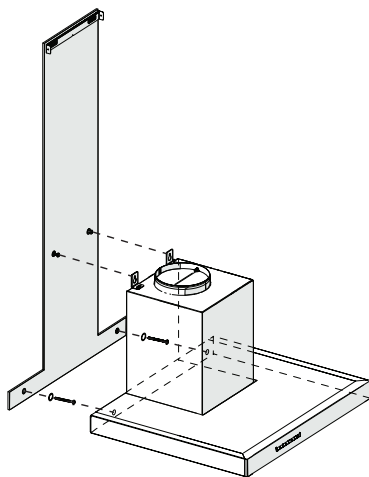
Установите 2 монтажных винта 5,5х60 в точки С и D с зазором 5 мм между головкой винта и стеной (Рисунок 2).



(Рисунок 2)

Установите две подвесные пластины на корпус вытяжки с помощью крепежных винтов M5х35 (Рисунок 2).

5 Установка изделия



(Рисунок 3)

Удерживая изделие за корпус, поместите его на винты для подвешивания на стене и затяните винты (Рисунок 3).

Закрепите вытяжку шурупами 5,5x60 к стене через монтажное отверстие внутри прибора (Рисунок 3).

5.4 Подключение к дымоходу

Если вы собираетесь использовать пластиковый переходник для дымохода \varnothing 120/150 мм, подсоедините один конец трубы к этому переходнику, если вы не собираетесь его использовать, к прямому выходу на изделии. Подключите другой конец трубы к дымоходу. Убедитесь, что эти два соединения достаточно тугие, чтобы они не выскочили, когда прибор будет работать на полную мощность. Проверить, работают ли заслонки внутри дымохода, когда они затянуты зажимами.

Подсоедините соединительный канал дымохода за пределами адаптера (Рисунок 5/a). Если соединительный

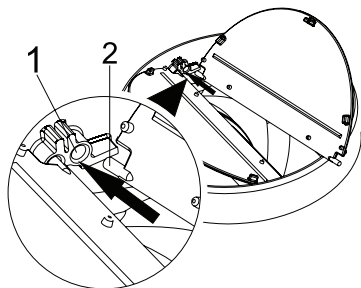
канал расположен внутри адаптера, всасывание воздуха не должно происходить, так как заслонка дымохода, препятствующая возврату воздуха, будет оставаться закрытой (Рисунок 5/b). Длина трубы, а также количество колен трубы должны быть минимальными.

A : Труба выхода дымохода

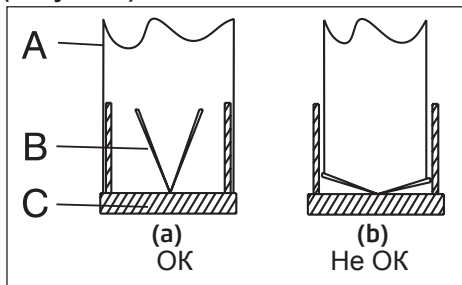
B : Обратные заслонки

C : Пластиковая вытяжная труба

Клапаны закрыты, значит прибор не работает, и предотвращают попадание внутрь возможного запаха извне и пыли.

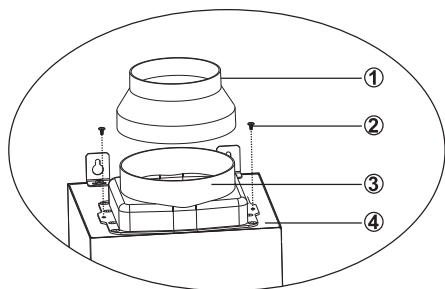


(Рисунок 4)



(Рисунок 5)

5 Установка изделия

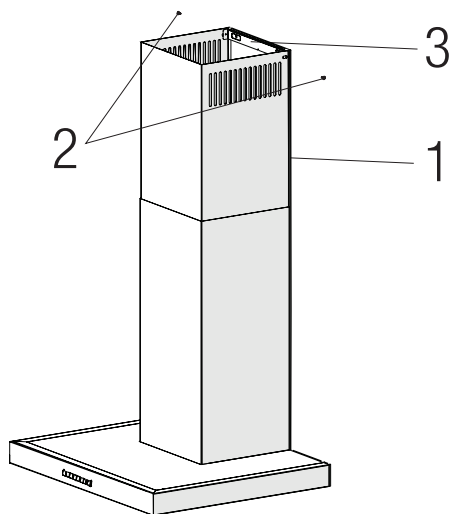


(Рисунок 6)

5.5 Установка вытяжки на дымоход

Подключите вытяжку к электросети перед установкой дымохода. Наденьте пластины дымохода на корпус.

Установите пластину дымохода на крепежную пластину дымохода, которая крепится к стене с ее верхних внешних краев (Рисунок 7).

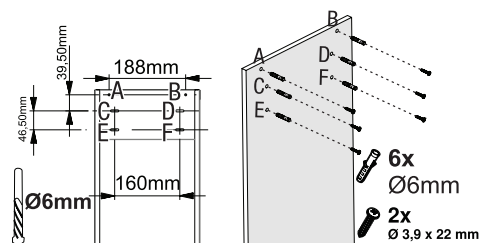


(Рисунок 7)

1. Внутренний дымоход
2. Винт 3,5x9,5
3. Соединительная пластина вытяжной трубы

5.6 Установка воздушной заслонки

При использовании с угольным фильтром в комплекте с прибором поставляется воздухозаборник, предназначенный для повторного выпуска воздуха, очищенного с помощью угольного фильтра, из перфорированного отверстия на дымоходе. Соберите дефлектор, как показано ниже.



(Рисунок 8)

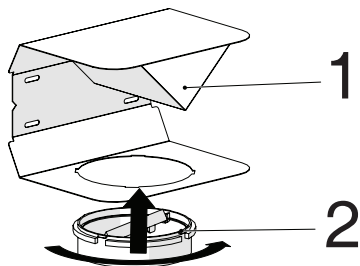
Посередине соединительной пластины дымохода имеется язычок. Поместите среднюю точку данного язычка на линию, которая нарисована перпендикулярно стене. Выровняйте по горизонтали и отметьте отверстия с помощью ручки, в которых соединительная пластина будет установлена (Рисунок 8/A, B).

Просверлите отмеченные точки Ø6 мм сверлом и вставьте два пластиковых штифта в просверленные отверстия (Рисунок 8/A, B).

Прикрепите соединительную пластину дымохода к стене винтами 3,9x22 (Рисунок 8/A, B).

5 Установка изделия

Для сборки воздуховода установите точки С, D, E, F с помощью сверла Ø6 мм и пластиковых дюбелей Ø6 мм (Рисунок 8).

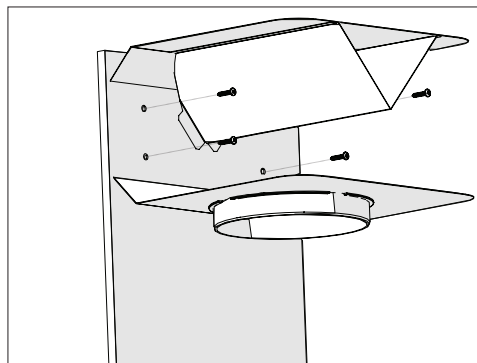


(Рисунок 9)

1. Воздушный дефлектор

2. Пластиковый дымоход

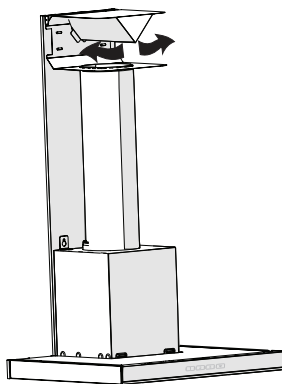
Прикрепите пластмассовый переходник дымохода, входящий в комплект поставки, по направлению к дефлектору. Зафиксируйте переходник дымохода, повернув его в направлении стрелки (Рисунок 9).



(Рисунок 10)

Соберите группу воздуховодов с помощью винтов 3,9 x 22 из точек С, D, E, F, которые вы уже подготовили (Рисунок 8).

Соберите корпус вытяжки (Рисунок 1).



(Рисунок 11)

1. Алюминиевая выпускная труба

Соберите сборку воздуховодной трубы (Рисунок 11).



Так как в результате перегибания и перекручивания алюминиевой трубы может иметь место снижение мощности всасывания, следует по возможности избегать перекручиваний и перегибаний.

Установите пластины дымохода вытяжки (Рисунок 7)

6 Устранение неисправностей

Устранение неисправностей	Причина	Решение
Изделие не работает.	Проверить предохранитель.	Предохранитель может быть отключен, включите его.
Изделие не работает.	Проверьте электрическое соединение.	Напряжение в сети должно составлять 220-240 В.
Изделие не работает.	Проверьте электрическое соединение.	Проверьте, работает ли другое оборудование на кухне.
Не горит лампа освещения.	Проверьте электрическое соединение.	Напряжение в сети должно составлять 220-240 В.
Не горит лампа освещения.	Проверьте выключатель лампы.	Выключатель лампы должен находиться в положении «вкл.».
Не горит лампа освещения.	Проверьте лампы.	Лампы изделия должны быть исправны.
Изделие не обеспечивает эффективный забор воздуха.	Проверьте алюминиевый фильтр.	При обычных условиях эксплуатации алюминиевый фильтр необходимо чистить не реже раза в месяц.
Изделие не обеспечивает эффективный забор воздуха.	Проверьте воздушную заслонку вентиляционной трубы.	Заслонка вентиляционной трубы должна находиться в положении «вкл.».
Изделие не обеспечивает эффективный забор воздуха.	Проверьте угольный фильтр.	При обычных условиях эксплуатации в изделиях, оборудованных угольным фильтром, его замену следует производить каждые 3 месяца.

- а) если изделие, предназначенное для личных (бытовых, семейных) нужд, использовалось для осуществления предпринимательской деятельности, а также в иных целях, не соответствующих его прямому назначению;
 - б) в случае нарушения правил и условий эксплуатации, установки изделия, изложенных в инструкции по эксплуатации и инструкции по установке;
 - в) если изделие имеет следы попытки неквалифицированного ремонта;
 - г) если дефект вызван изменением конструкции или схемы изделия, не предусмотренные изготовителем;
 - д) если дефект вызван действием непреодолимых сил, несчастными случаями, умышленными или неосторожными действиями потребителя или третьих лиц;
 - е) если обнаружены повреждения, вызванные попаданием внутрь изделия посторонних предметов, веществ, жидкостей, насекомых;
 - ж) использование неоригинальных расходных материалов автоматически лишает Вас гарантии изготовителя.
5. Гарантийные обязательства и бесплатное сервисное обслуживание не распространяются на следующие недостатки изделия:
- а) механические повреждения, возникшие после передачи товара потребителю;
 - б) повреждения, вызванные несоответствием стандартам параметров питающих, телекоммуникационных, кабельных сетей и других подобных внешних факторов;
 - в) повреждения, вызванные использованием нестандартных и (или) некачественных расходных материалов, принадлежностей, запасных частей;
6. В случае несовершеного (стусия более чем один месяц) извещения о выявленных недостатках изделия, изготовитель оставляет за собой право отказать полностью или частично от удовлетворения предъявляемых требований (ст. 436 ГК РК).

НАЗАР АУДАРЫҢЫЗДАР!

Үш контактілі желілік айыры бар бұйым, міндетті түрде, жерге тұйықталуы тиіс. **ВНИМАНИЕ!** Изделие, имеющее трехконтактную сетевую вилку, обязательно должно быть заземлено.

Қазақстан Республикасы аумағында өрекет етеді. Действует на территории Республики Казахстан.

Покупатель _____ Фамилия, Имя, Отчество	Покупатель _____ Фамилия, Имя, Отчество	Покупатель _____ Фамилия, Имя, Отчество
Адрес _____	Адрес _____	Адрес _____
Тел. _____	Тел. _____	Тел. _____
Дата ремонта _____	Дата ремонта _____	Дата ремонта _____
Серв. центр _____	Серв. центр _____	Серв. центр _____
Мастер _____	Мастер _____	Мастер _____
Фамилия, Имя, Отчество _____	Фамилия, Имя, Отчество _____	Фамилия, Имя, Отчество _____

Дата _____	Характер неисправности _____	Принятые меры _____

М.П. _____ Подпись ответственного лица _____



Қазақстан Республикасы аумағында өрекет етеді
Действует на территории Республики Казахстан

Адрес: 109004, Россия, Москва, ул. Станиславского д.21, стр.1
Телефоны горячей линии **8-800-200-23-56**
Телефоны горячей линии **8-800-200-23-56**
(Звонок бесплатен на всей территории Республики Казахстан)

<http://www.beiko.ru>

Гарантийный талон № _____

Модель..... Серийный номер

Дата продажи	Дата установки
Компания	Компания
Подпись продавца	Подпись мастера
ПЕЧАТЬ	ПЕЧАТЬ

Покупатель Фамилия, Имя, Отчество Телефон

Изделие проверилось в присутствии покупателя, покупатель с условиями гарантии ознакомлен. Претензий к внешнему виду и комплектации не имею Подпись Покупателя

! Огрывные купоны гарантийного талона являются средством отчетности о выполнении сервисным центром гарантийных работ. Купон изымается из гарантийного талона после удовлетворения Ваших претензий.





серия № серия № серия №

Дата продажи Дата продажи Дата продажи

ПЕЧАТЬ МАГАЗИНА ПЕЧАТЬ МАГАЗИНА ПЕЧАТЬ МАГАЗИНА

Құрметті Сатып алушы!

БЕКО сауда маркасының бұйымның тағдағаныңыз үшін алғыс білдіреміз.
БЕКО ірі тұрмыстық техникаға тұтынушы тасыған күннен бастап 10 (он) жыл ресми қызмет көрсету мерзімін бөлігеді. Өзге тұрмыстық техникаға, теледидарларға, аудио-видео және радио аппаратураларға, тұрмыста қолдануға арналған кондиционерлерге пайдалану жөніндегі нұсқау-жұмағы ұстанған жағдайда, 5 (бес) жыл ресми қызмет көрсету мерзімін бөлігеді. **БЕКО** өнімдерінің жағары сапасын, беріктігі мен құрғақсіздік дәрежесін өскерек, өнімнің қызмет көрсету мерзімі ресми пайдалану мерзімінен өлеуір шаарды. Белгілі бір мемлекетке сатуға арналған **БЕКО** өнімді сол мемлекеттің пайдалану жөніндегі талаптарына негіздеп отырып жасалған. Осыған кез жеткен үшін бұйым мен бұйымның орнандығы ресми белгілердің сәйкестігін тексеруіңізді сұраймыз. Егер қанат дай да бір сұрақтар туындайтын болса, Озден міндетті түрде **БЕКО** қызмет көрсету орталығына хабарлауыңызды сұраймыз. Қызмет көрсету орталығының мекенжайы мен телефон нөмірлерін келіпдік талғонына берілген қошымшадан көре аласыз (Қазақстан Республикасы аумағында телефон соғу тегі). Осы келіпдік талғонымен **БЕКО** өлеу да бұйымда кемшіліктер анықталған жағдайда, тұтынушының құқығын қорғау бойынша заңимен өрекет етілетін тұтынушы талаптарын қанағаттандыру бойынша өнімді кемшіліктерді қабылдауын растайды. Алайда, **БЕКО** компаниясы тұтынушы төменде аталған талаптарды орындамаған жағдайда келіпдіктен, соңдақ-ақ бұйымға тегін қызмет көрсетумен де тарту құқығын өзіне қалдырады. Келіпдік міндеттемелер мен тегін қызмет көрсету талаптары Тұтынушылардың құқықтарын қорғау жөніндегі заңнама аясында өрекет етеді.

Келіпдік міндеттемелер мен тегін қызмет көрсету талаптары:

1. Өндірушінің, келіпдік талаптары мен уәкілі етілген қызмет көрсету орталықтары ұсынатын тегін қызмет көрсету тек қана **БЕКО** модельдеріне сәйес алу және жүзеге асыру үшін КР өлінң аумағына және КР мемлекетінің Мемлекеттік Стандартына сәйес сертифицициялауыдан өткен мамлекеттерге таратылады.
2. Өндіруші **БЕКО** өнімдеріне төмендеп келіпдік мерзімін бөлігеді: ірі тұрмыстық техника: тұтынушыға тасыған күннен бастап - 2 (екі) жыл. Өзге тұрмыстық техникаға, теледидарларға, аудио-видео және радио аппаратураларға, тұрмыста қолдануға арналған кондиционерлерге тұтынушыға тасыған күннен бастап - 1 (бір) жыл.
3. Егер бұйымның құрал-жабдықтары оның құрылысынан алуыстыру және бұйымды бөлшектеуге байланысты болмаса, төмендегі құрал-жабдықтарға келіпдік міндеттемелер таратылмайды.

Бұйымның барлық түрлері үшін:

- а) қашықтан басқару пульстеріне, аккумуляторлы батареяларға, қоректендіу элементтеріне (батареяларға), қоректендіу блоктарының сыртқы бөліктеріне және қуат бергіш құрылымдарға;
- б) жалғыз кабельдерге, антенналарға және оларға арналған еткізгіштерге, құлаққаптарға, микрофондарға;
- в) бұйыммен бірге берілетін қалпақтар, бөліктіктерге, тасымалдауға арналған ширүлдер, монтажды құрылыстарға, аспаптарға, құжаттарға;

Төмендегілерді қоса алғанда:

- а) Төсеушікешіларға: мис сорғыштарға, ауа тазартқыштарға (биодеозораторларға), сүзгілерге;
- б) Қысқа тоқимыдағы пештерге, табақшаларға, оқа ет қақпайтын ісіктерге, торларға, табақшаларға;
- в) Шан сорғыштарға, түпкістерге, шлангтерге, шөкшаларға, қондырғыларға, шаң жинағыштарға, сүзгілерге;
4. Кондиционерлерге, ауа тазартқыштарға, сүзгілерге;
4. Өндіруші мынадай жағдайларда бұйымға келіпдік бермейді, және тегін қызмет көрсетпейді:
а) жеке мұқтаждық үшін қажет болған бұйым (тұрмыстық, отбасылық), өндірістік қызметтерді іске асыру үшін және оның негізгі апаратынан қызметіне сәйес кемілейтін басқа да мақсаттарда қолданған жағдайда;
- б) пайдалану өрежелері мен талаптарын, пайдалану жөніндегі нұсқаулықта және бұйымды орнату жөніндегі нұсқаулықта жазылған талаптарды бұзған жағдайда;
- в) Егер бұйымға рұқсат етілмеген жөндеу жұмыстарының ізі анықталса;
- г) бұйымның құрылысы мен жамансында рұқсат етілмеген өзгерістер орын алса.
- д) Егер ақау өскерілімес күшілің іс-өрекет, ақау және жағдайлармен, тұтынушының немесе үшінші тұлғаның қасақана немесе абайсыз іс-өрекетінің арқасында орын алса;
- е) Бұйымның ішіне басқа бір заттардың, сұйықтықтардың, шыбын-шіркейлердің түсіп кетуінен пайда болған зақымданулар табылса;
- ж) Тұтынушы болып саналмайтын шығын материалдарын қолдану Оздік автоматты түрде Өндіруші келіпдікпен атырады.

5. Төмендегі жағдайларда бұйымға келіпдік міндеттемелер таратылмайды және тегін сервістық қызмет көрсетілмейді:

- а) Бұйымды тұтынушы тасығаннан кейін пайда болған механикалық зақымдар;
- б) Қуат және телекоммуникациялық, кабельдік желілер параметрлерінің дұрыс жұмыс істеуі үшін (немесе стандарттарға сәйес келмейді) және осы сияқты өзге де сыртқы факторлардың салдарынан пайда болған бұзылулар;
- в) Стандарттарға сай келмейтін және (немесе) сапасыз шығыс материалдары, жабдықтар, қосалқы бөлшектер, қуат көзі элементтері, ақпаратты тасымалдаушылар қолданудан пайда болған бұзылулар;
6. Тұтынушы орын алған кемшіліктер жөнінде уақытлы (бір айда нестам уақыт өткен жағдайда) хабарламаған жағдайда. Өндіруші Тұтынушының талаптарын толық немесе ішінара қанағаттандырмауға құқылы (ҚР АҚ 436-баббы).

Уважаемый Покупатель!

Благодарим Вас за выбор изделия торговой марки БЕКО.

БЕКО устанавливает официальную срок службы на крупную бытовую технику 10 (десять) лет со дня передачи потребителю. На прочную бытовую технику, телевизоры, аудио-видео и радио аппаратуру, кондиционеры, предназначенные для использования в быту, устанавливается срок службы 5 (пять) лет, при условии соблюдения правил эксплуатации. Учитывая высокие качество, надежность и степень безопасности продукции **БЕКО** фактический срок эксплуатации может значительно превышать официальный. Вся продукция, предназначенная **БЕКО** для поставки в определенную страну, изготовлена с учетом условий эксплуатации этой страны. Чтобы убедиться в этом, просим Вас проверить наличие на изделии и упаковке официальных знаков соответствия. Если у Вас возникнут какие-либо проблемы, настоятельно рекомендуем Вам обратиться в уполномоченные сервисные центры **БЕКО**, адреса и телефоны которых Вы можете узнать из приложения к гарантийному талону. Данное гарантийное талонное **БЕКО** подтверждает принятие на себя обязательств по удовлетворению требований потребителей, в случае обнаружения недостатков изделия. Однако **БЕКО** оставляет за собой право отказать как в гарантийном, так и бесплатном сервисном обслуживании изделия в случае несоблюдения изложенных ниже условий. Все условия гарантийных обязательств и бесплатного сервисного обслуживания действуют в рамках законодательства о защите прав потребителей.

Условия гарантийных обязательств и бесплатного сервисного обслуживания:

1. Гарантийные обязательства **БЕКО** устанавливает и бесплатное сервисное обслуживание, предоставляемое уполномоченными сервисными центрами **БЕКО**. Изготовителя распространяется только на модели, предназначенные **БЕКО** для поставки и реализации на территории Республики РК, приобретенные на территории РК и прошедшие сертификацию на соответствие ГОСТам РК.
2. Изготовитель устанавливает следующие гарантийные сроки на изделия **БЕКО**:
Крупная бытовая техника: 2 (два) года со дня передачи потребителю.
Прочая бытовая техника, телевизоры: аудио-видео радио аппаратура, кондиционеры, предназначенные для использования в быту – 1 (один) год со дня передачи потребителю.
3. Гарантийные обязательства не распространяются на перечисленные ниже принадлежности изделия, если их замена предусмотрена конструкцией и не связана с разборкой изделия.

Для нас виды использования:

- а) на тулыты диспетчерского управления, аккумуляторные батареи, элементы питания (батарея), внешние блок питания и зарядные устройства;
- б) соединительные кабели, антенны и принадлежности для них, наушники, микрофоны;
- в) чехлы, ремни, шнурки для переноски, монтажные приспособления, инструменты, документация, чехлы, прилагаемые к изделию.

Дополнительно для:

- а) холодильников, на полостителі воздуха (биодеозораторы), фильтры;
- б) микроволновых печей: на тарелки, вертела, решетки, блюда;
- г) стиральных машин: на шланги, трубки, щетки, насадки, пылесборники, фильтры;
- д) кондиционеров, воздухоочистителей; на фильтры, шланги подвода/слива воды;
4. Изготовитель не несет гарантийные обязательства и не производит бесплатное сервисное обслуживание изделия в случаях:

Производитель: "Arçelik A.S."
Karaağaç Caddesi No: 2-6 Sötlüce, 34445, Турция

Сделано в Китае

Импортер на территории РФ: ООО «БЕКО»
Юридический адрес: 601021 Россия, Владимирская обл., Киржачский р-н,
дер. Федоровское, ул. Сельская, д. 49

Дата производства включена в серийный номер продукта, указанный на этикетке, расположенной на продукте, а именно:

первые две цифры серийного номера обозначают год производства, а последние две – месяц.

Например, «10-100001-05» обозначает, что продукт произведен в мае 2010 года.

Kôr si prečítajte túto používateľskú príručku!

ý zákazník,

Dakujeme vám, že ste si vybrali tento spotrebič značky Beko. Dúfame, že s týmto spotrebičom, ktorý bol vyrobený vo vysokej kvalite a s najmodernejšími technológiami, dosiahnete tie najlepšie výsledky. Z tohto dôvodu si pred použitím spotrebiča pozorne prečítajte celú túto používateľskú príručku a všetky ostatné sprievodné dokumenty a uschovajte ich pre prípad potreby do budúcnosti. Ak dáte spotrebič niekomu inému, dajte mu tiež používateľskú príručku. Postupujte podľa pokynov a venujte pozornosť všetkým informáciám a varovaniam v používateľskej príručke.

Pamätajte, že sa táto používateľská príručka môže vzťahovať aj na iné modely. Rozdiely medzi modelmi budú v príručke výslovne popísané.

Význam symbolov

V rôznych častiach tejto používateľskej príručky sú použité nasledujúce symboly:



Dôležité informácie a užitočné tipy na použitie.



VAROVANIE: Upozornenia na nebezpečné situácie týkajúce sa ohrozenia života a majetku.



Upozornenia na nebezpečenstvo požiaru.



Varovanie pred zásahom elektrickým prúdom.



**RECYKLOVANÝ A
RECYKLOVATEĽNÝ
PAPIER**

Tento spotrebič bol vyrobený v modernom závode šetrnom voči životnému prostrediu bez škodlivého dopadu na prírodu.

1 Dôležité pokyny týkajúce sa bezpečnosti a životného prostredia

1.1 Všeobecná bezpečnosť

Dôležité bezpečnostné pokyny: Dôkladne si ich prečítajte a uschovejte pre nahliadnutie v budúcnosti. Táto časť obsahuje bezpečnostné pokyny, ktoré pomôžu ochrániť pred zranením osôb, poškodením majetku, vznikom požiaru alebo pred zásahom elektrickým prúdom. Nedodržanie týchto pokynov zruší platnosť akejkoľvek záruky.

- Produkty Beko spĺňajú platné bezpečnostné štandardy. V prípade akéhokoľvek poškodenia spotrebiča alebo napájacieho kábla musí byť oprava alebo výmena vykonaná predajcom, servisným centrom alebo odborníkom z autorizovaného servisu, aby sa predišlo akémukoľvek nebezpečenstvu. Chybná alebo neodborná oprava môže pre užívateľa predstavovať nebezpečenstvo a riziko.
- Tento spotrebič je určený len na použitie v domácnostiach a podobných prostrediach, ako sú napríklad:

- kuchynky pre zamestnancov v obchodoch, kanceláriách a iných pracovných prostrediach,
- budovy na farmách,
- priestory pre klientov v hoteloch, motelloch a ďalších obytných prostrediach,
- prostredia ubytovania typu Bed and Breakfast.
- Spotrebič používajte iba na určený účel, ako je popísané v tomto návode.
- Výrobca nenesie žiadnu zodpovednosť za žiadne škody spôsobené nesprávnou alebo nevhodnou inštaláciou alebo nevhodným používaním produktu.
- Tento spotrebič môžu používať deti staršie ako 8 rokov a osoby so zníženými fyzickými, vnemovými alebo mentálnymi schopnosťami, prípadne nedostatkom skúseností a vedomostí, pokiaľ sú počas prevádzky spotrebiča pod náležitým dozorom alebo sú im dané inštrukcie o bezpečnom používaní spotrebiča a sú si vedomí sprievodných rizík.

1 Dôležité pokyny týkajúce sa bezpečnosti a životného prostredia

- Deťom nesmie byť dovolené hrať sa so spotrebičom. Deti bez dozoru nesmú vykonávať čistenie ani používateľskú údržbu.
 - Minimálna vzdialenosť medzi varnými plochami sporáka a najnižšou časťou odsávača musí byť najmenej 65 cm.
 - Ak sa v pokynoch pre plynový sporák uvádza väčšia vzdialenosť, musíte ju zohľadniť.
 - Skontrolujte, či vaše napájanie zodpovedá informáciám uvedeným na štítku spotrebiča.
 - Nikdy nepoužívajte spotrebič, ak je napájací kábel alebo samotný spotrebič poškodený.
 - Zabráňte poškodeniu napájacieho kábla tým, že zabránite jeho pritlačeniu, ohýbaniu alebo odieraniu sa o ostré hrany. Napájací kábel udržiavajte mimo horúcich povrchov a otvoreného ohňa.
 - Spotrebič zapájajte iba do uzemnenej zásuvky.
 - Spotrebič umiestnite tak, aby bola zástrčka vždy prístupná.
 - Nedotýkajte sa lúčov, ak boli v prevádzke po dlhý čas. Keďže sú horúce, mohli by ste si popáliť ruky.
 - Dodržiavajte predpisy vydané kompetentnými úradmi týkajúce sa vypúšťania odsávaného vzduchu (toto neplatí pre použitie bez dymovodu).
 - Váš spotrebič spustíte len vtedy, ak je na varnej doske hrniec, panvica atď. V opačnom prípade môže teplo spôsobiť deformáciu niektorých častí vášho spotrebiča.
 - Varnú dosku vypnite pred tým, ako z nej zložíte hrniec, panvicu a pod.
 - Na varnej doske nenechávajte horúci olej. Panvice s horúcim olejom môžu zapríčiniť samovznietenie.
 - Dávajte pozor na závesy a prikrývky, keďže by olej pri tepelnej úprave mohol vzbĺknuť, napr. pri smažení.
- VAROVANIE:** Spotrebič nepripájajte k elektrickej sieti, kým úplne nedokončíte inštaláciu.

1 Dôležité pokyny týkajúce sa bezpečnosti a životného prostredia

- Filter mastnoty sa musí vymieňať aspoň raz mesačne. Uhlíkový filter sa musí vymieňať aspoň každé 3 mesiace.
- Spotrebič musí byť čistený v súlade s používateľskou príručkou. Ak čistenie nebolo vykonané v súlade s používateľskou príručkou, môže hroziť nebezpečenstvo požiaru.
- Súčasné filtre nenahrádzajte materiálmi, ktoré nie sú ohňovzdorné.
- Používajte len originálne časti odporúčané výrobcom.
- Spotrebič nespúšťajte bez filtra a filtre nevyberajte počas prevádzky spotrebiča.
- V prípade, ak sa na spotrebiči objavia plamene, odpojte spotrebič aj zariadenia určené na varenie od elektrickej siete.
- V prípade vzniku ohňa zakryte plamene a nikdy nepoužívajte vodné hasiace prístroje.
- Spotrebič odpojte pred každým čistením a v prípade, že ho nepoužívate.
- Negatívny tlak prostredia by nemal presiahnuť 4 Pa (4 x 10 bar), pokiaľ je digestor pre elektrickú varnú dosku v prevádzke súčasne so spotrebičmi fungujúcimi na inom type energie.
- V prostredí, kde je tento spotrebič používaný, musia byť výfuky zariadení fungujúcich na palivách, ako je olej alebo plyn, napr. izbové vykurovacie telesá, úplne oddelené alebo tieto zariadenia musia byť hermetického typu.
- Pri montáži dymovodu použite potrubie s priemerom 120 mm alebo 150 mm. Pripojenie cez potrubie musí byť čo najkratšie a mať čo najmenej kolien.

Nebezpečenstvo udusení!

Všetky obaly uchovajte mimo dosahu detí.

VÝSTRAHA: Prístupné časti sa počas súčasného používania so spotrebičmi na varenie môžu zahriať.

- Výfuk spotrebiča nesmie byť nájedený na vzduchové potrubia, ktoré obsahujú iný dym.

1 Dôležité pokyny týkajúce sa bezpečnosti a životného prostredia

- Vetranie miestnosti môže byť nedostatočné, ak sa digestor pre elektrické varné dosky používa súčasne so zariadeniami využívajúcimi plyn alebo iné palivá (toto sa nevzťahuje na zariadenia, ktoré vypúšťajú vzduch späť do tej istej miestnosti).
- Predmety položené na spotrebič môžu spadnúť. Na spotrebič nekladte žiadne predmety.
- Pod spotrebičom neflambujte.

VAROVANIE: Pred inštaláciou digestora odstráňte ochranné fólie.

- Počas prevádzky pod digestorom nikdy nenechávajte vysoké priame plamene.
- Fritézy sa musia počas používania nepretržite monitorovať: prehriaty olej môže vzplanúť.

1.2 Súlad so smernicou o OEEZ a likvidácia vyradeného produktu:

Tento výrobok je v súlade so smernicou o OEEZ. (2012/19/EU). Tento výrobok je označený klasifikačným symbolom pre odpad z elektrických a elektronických zariadení (OEEZ).



Tento symbol znamená to, že tento výrobok sa na konci jeho životnosti nesmie likvidovať spolu s iným domácim odpadom.

Použité spotrebiče sa musia odovzdať na oficiálnych zberných miestach na recykláciu elektrických a elektronických zariadení. Obráťte sa na miestne úrady alebo na predajcu, u ktorého ste si výrobok zakúpili, a informujte sa o umiestnení zberných zariadení. Každá domácnosť zohráva dôležitú úlohu v obnove a recyklácii starých spotrebičov. Správna likvidácia starého spotrebiča pomáha predísť možným negatívnym následkom pre životné prostredie a ľudské zdravie.

1.3 Súlad so smernicou RoHS

Výrobok, ktorý ste si zakúpili, vyhovuje smernici EÚ RoHS (2011/65/EÚ). Neobsahuje škodlivé ani zakázané materiály špecifikované v tejto smernici.

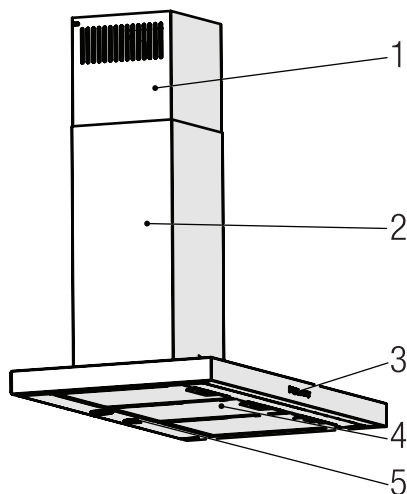
1.4 Informácie o balení



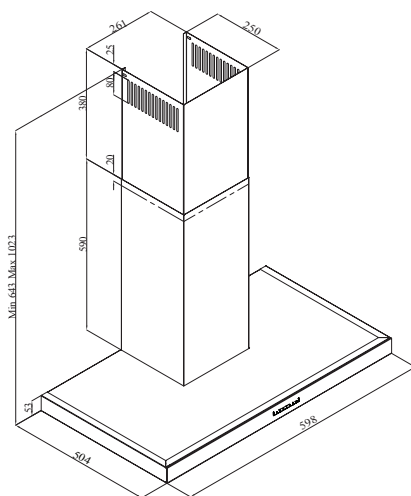
Obalové materiály tohto výrobku sú vyrobené z recyklovateľných materiálov v súlade s našimi Národnými environmentálnymi predpismi. Baliaci materiál nelikvidujte spolu s domovým odpadom alebo inými druhmi odpadu. Odneste ich na zberné miesto baliaceho materiálu, určené miestnymi úradmi.

2 Všeobecný vzhľad

2.1 Prehľad



1. Vnútorný dymovod
2. Vonkajší dymovod
3. Kontrolný panel
4. Tukový filter
5. Osvetlenie







2.2 Technické údaje

Model	BHC61632 XH
Napájacie napätie a frekvencia	220-240V ~ 50 Hz
Napájanie svetla	2 x 3 W
Výkon motora	210 W
Prietok – 3. Úroveň	612 m ³ /h
Trieda izolácie motora	Trieda F
Izolačná trieda	Trieda I

3 Prevádzka spotrebiča

3.1 Ovládanie spotrebiča

 1 A	 2 B	 3 C	 D
KEY	FUNKCIE		
A: 1. Tlačidlo etapy	Prevádzkuje spotrebič pri prvej rýchlosti. Po opätovnom stlačení tohto tlačidla prístroj vypne, stupeň rýchlosti obrazovky sa vypne.		
B: 2. Tlačidlo etapy	Prevádzkuje spotrebič pri druhej rýchlosti. Po opätovnom stlačení tohto tlačidla prístroj vypne, stupeň rýchlosti obrazovky sa vypne.		
C : 3. Tlačidlo etapy	Prevádzkuje spotrebič pri tretej rýchlosti. Po opätovnom stlačení tohto tlačidla prístroj vypne, stupeň rýchlosti obrazovky sa vypne.		
D : Zapnutie/vypnutie svetla	Stlačením tohto tlačidla môžete osvietiť varnú oblasť. Pre vypnutie lampy stlačte tlačidlo znovu.		

3.2 Energeticky efektívne používanie

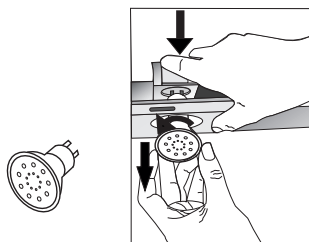
- Pri používaní spotrebiča, upravte nastavenie rýchlosti podľa intenzity pary a zápachov, z dôvodu šetrenia energie.
- Používajte nízku rýchlosť (1-2) za obvyklých podmienok a vysokú rýchlosť (3) pri intenzívnom zápachu a pary.
- Lampy na odsávači sú umiestnené pre osvetlenie priestoru na varenie.
- Ich používanie na osvetlenie priestoru bude viesť k zbytočným výdavkom energie a k nedostatočnému osvetleniu.

3.3 Používanie digestora

- Váš spotrebič obsahuje motor, ktorý má premenlivú rýchlosť.
- Pre lepšiu výkonnosť odporúčame používať nízke rýchlosti za normálnych podmienok a vysoké rýchlosti v prípade silných zápachov a intenzívnych výparov.
- Spotrebič môžete spustiť stlačením tlačidla požadovaného nastavenia rýchlosti. (A, B, C)
- Varnú zónu môžete osvetliť stlačením lampy (D).

3 Prevádzka spotrebiča

3.4 Výmena žiaroviek



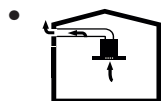
MAX 3 W

Vykonajte elektrické pripojenie spotrebiča. Váš spotrebič používa bodové LED svetlo 3W. Pri výmene žiaroviek zatlačte držiak smerom dozadu, otočte ho proti smeru hodinových ručičiek a vyberte ho smerom dole. Použite vyššie uvedenú operáciu dozadu a nainštalujte nové žiarovky.

Žiarovka	
Výkon žiarovky	3 W
Držiak / zásuvka	GZ 10
Napätie žiarovky	220 - 240 V
Veľkosť	53 x 50 mm
ILCOS kód	DR/F3-220-240-GZ10-50-53
Svetelný tok	250 lm
Súvisiaca teplota farby	3000 K

Tento výrobok obsahuje svetelný zdroj triedy energetickej účinnosti "F".

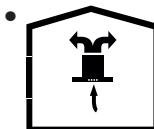
3.5 Prevádzka s komínom



Para sa odvádza cez komínové potrubie, ktoré je pripojené k pripojovacej hlave na odsávači pár.

- Priemer komína musí byť rovnaký ako spojovací krúžok. V horizontálnych nastaveniach musí mať potrubie mierny sklon nahor (okolo 10 °), aby mohol vzduch ľahko uíkať z miestnosti.

3.6 Prevádzka bez komína



Vzduch sa filtruje cez uhlíkový filter a recirkuluje v miestnosti. Uhlíkový filter sa používa, keď nie je možné v dome použiť komín.

- Pri bezprúdovom používaní odstráňte klapky vo vnútri komínového adaptéra.
- Odstráňte tukové filtre. Ak chcete nainštalovať uhlíkový filter, nasadte filter na úchytky centrováním na plastový kus na oboch stranách tela ventilátora. Dotiahnite ho otočením doprava alebo doľava.
- Vymeňte tukový filter.

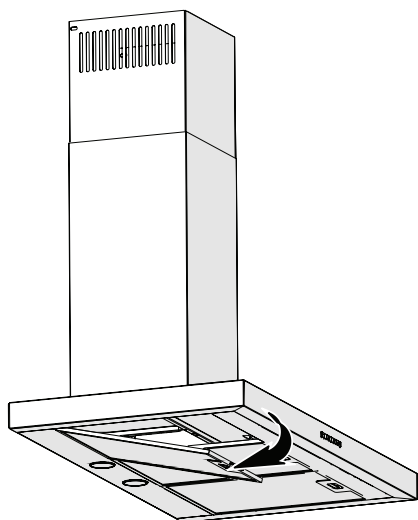
4 Čistenie a údržba



Pred čistením a údržbou výrobok odpojte alebo vypnite vypínač.

4.1 Čistenie tukového filtra

Tukový filter zadržiava častice oleja zo vzduchu. Tukové filtre môžu po opakovanom vyčistení zmeniť farbu. To je normálne a nie je potrebná výmena filtrov.



- Tukový filter zatlačte dopredu.
- Potom ho mierne potiahnite a vytiahnite. V opačnom prípade môžete filter ohnúť. Tukové filtre umyte a opláchnite tekutým čistiacim prostriedkom a vráťte tukové filtre do svojich uložení vykonaním vyššie uvedených krokov v opačnom poradí. Tento filter zadržiava častice oleja zo vzduchu.

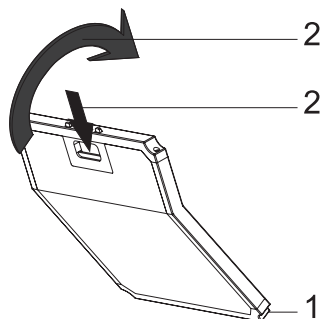


Tukové filtre môžete umývať v umývačke riadu.



VÝSTRAHA : V prípade normálneho používania vyčistíte filter raz za mesiac.

4.2 Výmena uhlíkových filtrov



- Spotrebič, ktorý ste si zakúpili, je vhodný pre použitie s uhlíkovými filtermi.
- Odstráňte tukové filtre.
- Umiestnite spodnú časť uhlíkového filtra do skrinky motora.
- Stlačte jazýček uhlíkového filtra a zatlačte ho dopredu a uistite sa, že úchytky uhlíkového filtra sú zasunuté a uzamknuté.
- Pridajte tukový filter.

VÝSTRAHA



- Uhlíkový filter sa nesmie nikdy umývať.
- Vymeňte uhlíkové filtre raz za 3 mesiace.
- Uhlíkový filter môžete získať od autorizovaných servisov.

5 Inštalácia spotrebiča



UPOZORNENIE: Pred začatím inštalácie si prečítajte bezpečnostné pokyny v používateľskej príručke.

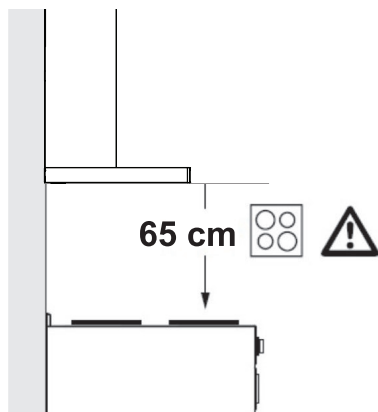


UPOZORNENIE: Neinštalovanie skrutiek a stabilizátorov podľa týchto pokynov môže mať za následok úraz elektrickým prúdom.

Ak chcete nainštalovať odsávač pár, kontaktujte najbližšiu autorizovanú službu.

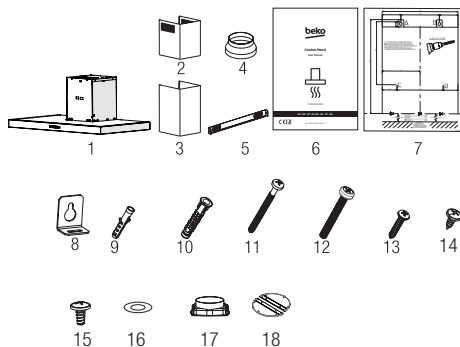
Zákazník je zodpovedný za prípravu umiestnenia a elektrickej inštalácie odsávača pár.

5.1 Pozícia spotrebiča



- Pred zmontovaním zväžte vzdialenosť medzi sporákom a odsávačom. Táto vzdialenosť musí byť aspoň 65 cm.
- U plynových sporákov sa musí merať vzdialenosť od povrchu mriežky,
- Pre elektrické sporáky od povrchu skla.

5.2 Inštalčné príslušenstvo



1. Výrobok
2. Vnútorý dymovod
3. Vonkajší dymovod
4. Plastový komínový adaptér Ø150/120 mm
5. Komínová prípojová doska
6. Návod na použitie
7. Rozmery zostavy
8. 6x Závesné dosky
9. 6x Ø6mm Plastová hmoždinka
10. 3x Ø10mm Plastová hmoždinka
11. 3x 5.5x60 Skrutka pre upevnenie na stenu
12. 2x M5x35 Skrutka na pripojenie závesnej dosky
13. 6x 3.9x22 Skrutka na pripojenie komínovej dosky
14. 2x 3,5x9,5 Skrutka na pripojenie komínovej dosky
15. 2x slepá skrutka 3,5 x 9,5
16. Plastový adaptér (štvorcový na okrúhly)
17. Spätný ventil
18. Vzduchová clona
19. Plastový adaptér (odvádzač vzduchu)

Informácie potrebné pre miesto vhodné miesto na inštaláciu odsávača pár, sú uvedené nižšie.

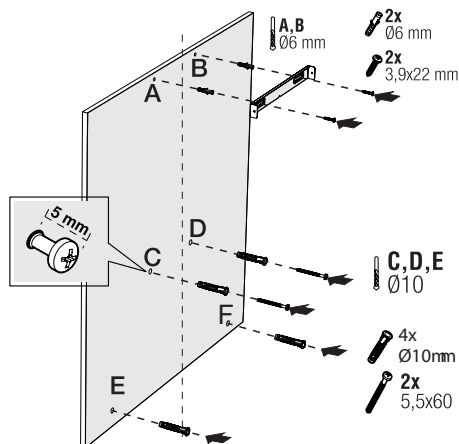
5 Inštalácia spotrebiča

5.3 Inštalácia spotrebiča na stenu

Stena musí byť plochý, rovný a musí mať dostatočnú nosnosť.

Hĺbka navŕtaných otvorov musí byť v súlade s dĺžkou skrutiek.

Dodané skrutky a hmoždinky sú vhodné pre tehlové steny. Pri ostatných stavebných materiáloch (napr. sadrokartón, doska, pórobetón) sa použijú vhodné upevňovacie hmoždinky a matice.



(Obrázok č. 1)



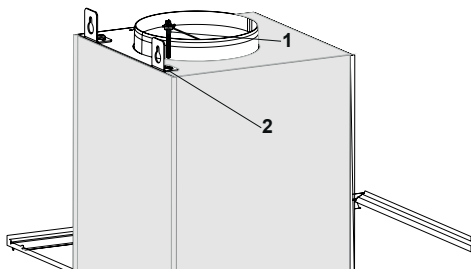
VÝSTRAHA : Pred vŕtáním sa uistite, že v tesnej blízkosti miest vŕtania nie sú rozvody elektriny, plynu alebo vody.

Nakreslite strednú čiaru od stropu kolmo na dolný okraj odsávača.

Namontujte schému montáže na stenu. Pokiaľ ide o body A a B, berte ako referenciu maximálne rozmery odsávača pár a vyvŕtajte body A a B, ktoré ste označili vŕtákom Ø6mm, a vložte Ø6mm plastové hmoždinky. Nainštalujte spojovaciu dosku pre odvod pár k stene pomocou 2 kusov skrutiek 3,9x22 (Obrázok č. 2).

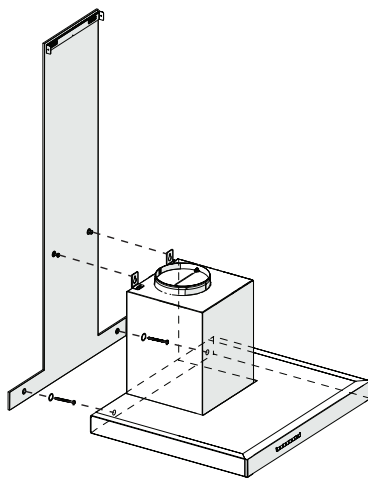
Ak chcete namontovať telo odsávača pár, vyvŕtajte body C, D, E uvedené na inštalačnej šablóne pomocou Ø10mm vŕtáka a do týchto bodov vložte plastové hmoždinky Ø10mm (Obrázok č. 2).

Namontujte 2 kusy upevňovacích skrutiek 5,5 x 60 do bodov C a D s vôľou 5 mm medzi hlavou skrutky a stenou (Obrázok č. 2).



(Obrázok č. 2)

Namontujte dva kusy závesných dosiek na telo odsávača pomocou montážnych skrutiek M5x35 (Obrázok č. 2).



(Obrázok č. 3)

5 Inštalácia spotrebiča

Odsávač pár držte za jeho telo a položte ho na montážne skrutky na stene a utiahnite skrutky (Obrázok č. 3).

Zaistíte odsávač pár pomocou skrutky 5,5 x 60 k stene cez montážny otvor na vnútornej strane spotrebiča (Obrázok č. 3).

5.4 Pripojenie na komín

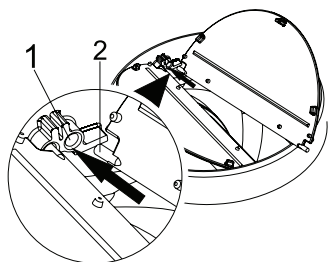
Ak sa chystáte použiť Ø 120/150 mm plastový komínový adaptér, pripojte jeden koniec rúrky k tomuto adaptéru, ak ho nebudete používať, k priamemu výstupu na produkte. Pripojte druhý koniec rúry k vášmu komínu. Skontrolujte, či sú tieto dve spoje dostatočne pevné, aby sa nevyusunuli, keď bude prístroj prevádzkovaný na plný výkon. Skontrolujte, či klapky vo vnútri komína fungujú, ak sú utiahnuté svorkami. Pripojte potrubie komínového vývodu mimo adaptér (Obrázok 5/a). Ak je spojovací kanál namontovaný vo vnútri adaptéra, nesmie dôjsť k nasávaniu vzduchu, pretože komínová klapka, ktorá bráni spätnému toku vzduchu, zostane zatvorená (Obrázok 5/b). Dĺžka spojenia rúr, ako aj počet kolien musí byť čo najmenší.

A: Výstupná rúra pre komín

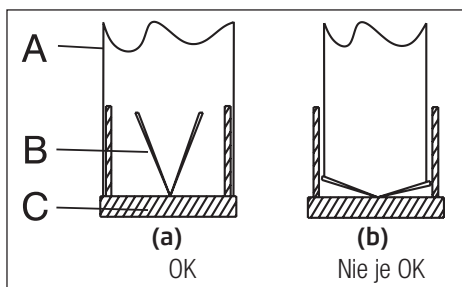
B: Spätné klapky

C: Plastový vzduchovod

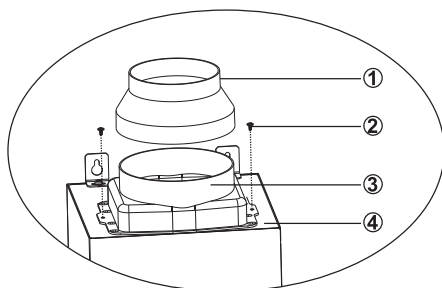
Keď sú ventily zatvorené, potom prístroj nefunguje a zabraňuje vniknutiu vonkajšieho pachu a prachu.



(Obrázok č. 4)



(Obrázok č. 5)



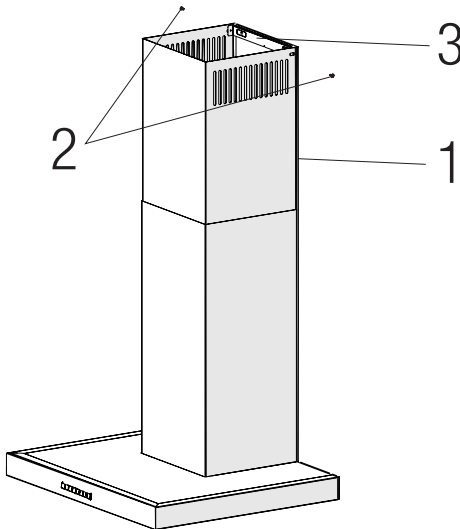
(Obrázok č. 6)

5 Inštalácia spotrebiča

5.5 Inštalácia odsávača do komína

Pred začatím inštalácie komína vykonajte elektrické pripojenie odsávača pár. Nasuňte komínové platne okolo tela odsávača.

Nainštalujte komínovú platňu na platňu na upevnenie komína, ktorá je pripevnená k stene z jej horných vonkajších okrajov (Obrázok č. 7).

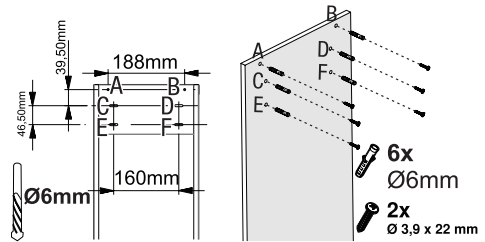


(Obrázok č. 7)

1. Vnútorňý dymovod
2. 3.5x9.5 skrutka
3. Kominová prípojová platňa

5.6 Inštalácia vzduchovej clony

Počas používania s uhlíkovým filtrom sa so zariadením dodáva vzduchová clona s cieľom opätovne uvoľniť vzduch, ktorý sa čistí uhlíkovým filtrom, z perforovaného otvoru umiestneného na kominé. Zostavte usmerňovač vzduchu ako je uvedené nižšie.



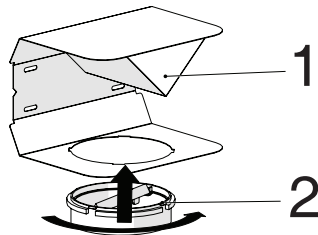
(Obrázok č. 8)

Uprostred dosky na pripojenie komína sa nachádza jazýček. Umiestnite stredný bod tejto úchytky na čiaru, ktorá je nakreslená kolmo na stenu. Zarovnajte vodorovne a označte otvory, na ktoré sa pripojovacia platňa pripevní pomocou pera (Obrázok 8/A, B).

Vyvráťajte označené body vrtákom Ø6mm a do vyvrátených otvorov vložte dve plastové hmoždinky Ø6mm (Obrázok 8/A, B).

Dosku na pripojenie komína pripevnite na stenu pomocou skrutiek 3,9x22 (Obrázok 8/A, B).

Pri montáži vzduchového usmerňovača vyvráťajte body C, D, E, F s vrtákom Ø6 mm a plastovými hmoždinkami Ø6 mm (obrázok 8).

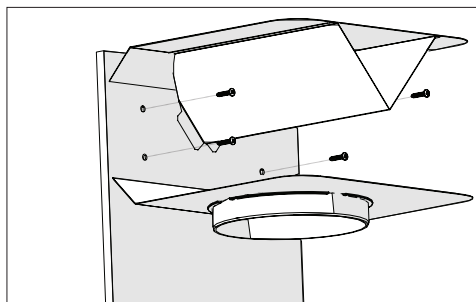


(Obrázok č. 9)

1. Vzduchová clona
2. Plastový komin

Pripojte plastový kominový adaptér, ktorý je súčasťou balenia, v smere k usmerňovaču vzduchu. Adaptér kominy zaistíte jeho otočením v smere šípky (Obrázok 9).

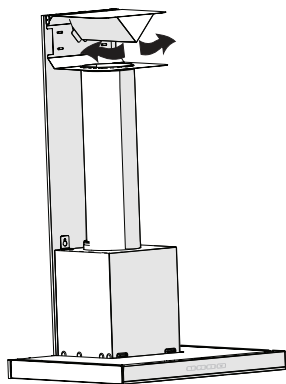
5 Inštalácia spotrebiča



(Obrázok č. 10)

Zostavte skupinu usmerňovačov vzduchu s 3,9 x 22 skrutkami z bodov C, D, E, F, ktoré ste už pripravili (obrázok č. 8).

Zostavte telo odsávača (Obrázok č. 1).



(Obrázok č. 11)

1. Hliníková výstupná trubica vzduchu

Vytvorte zostavu potrubia na výstup vzduchu (Obrázok č. 11).



Zvraty a ohyby hliníkovej rúry budú mať za následok zníženie výkonu nasávania vzduchu, vyhnite sa používaniu krútení a ohýbaní, ako je to len možné.

Namontujte komínovú dosku odsávača pár (Obrázok č. 7).

6 Riešenie problémov

Riešenie problémov	Dôvod	Pomoc
Produkt nefunguje.	Skontrolujte poistky.	Vaša poistka môže byť vybitá, sfunkčnite ju.
Produkt nefunguje.	Skontrolujte elektrické pripojenie.	Sieťové napätie má byť medzi 220-240 V.
Produkt nefunguje.	Skontrolujte elektrické pripojenie.	Skontrolujte, či fungujú ostatné výrobky v kuchyni.
Lampa osvetlenia nefunguje.	Skontrolujte elektrické pripojenie.	Sieťové napätie má byť medzi 220-240 V.
Lampa osvetlenia nefunguje.	Skontrolujte spínač lampy.	Spínač lampy musí byť v polohe "zapnuté".
Lampa osvetlenia nefunguje.	Skontrolujte lampu.	Lampy produktu nesmú byť chybné.
Prívod vzduchu do výrobku je slabý.	Skontrolujte hliníkový filter.	Hliníkový filter na olej za obvyklého používania je potrebné vyčistiť aspoň raz za mesiac.
Prívod vzduchu do výrobku je slabý.	Skontrolujte kryt vzduchovodu.	Vzduchovod musí byť v polohe "zapnuté".
Prívod vzduchu do výrobku je slabý.	Skontrolujte uhlíkový filter.	Pri výrobkoch s uhlíkovými filterami filter obvykle vymieňajte každé 3 mesiace.

Arçelik A.Ş.
Karaağaç Caddesi No: 2-6, 34445,
Sütlüce, İstanbul, Türkiye

www.beko.com